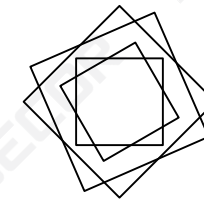
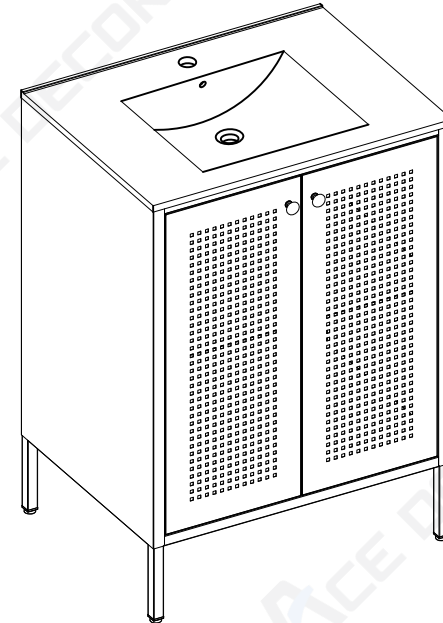


Installation Manual- BV B05724
BV B05730

MOTIVATE
YOUR LIFE !

THANKS FOR WATCHING

Your feedback is invaluable to us and we would love to hear about your experience. Please take the time to leave us a review.


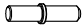



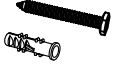






Thank you for shopping with us!

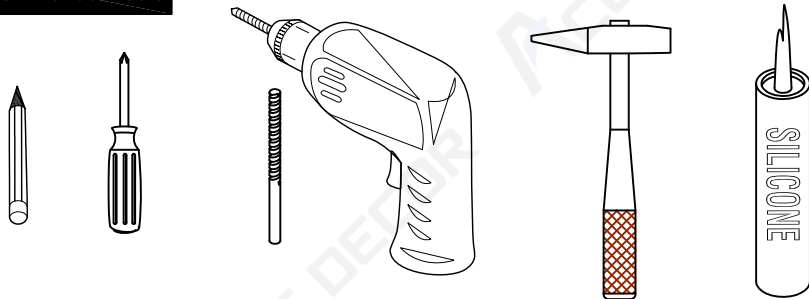
We encourage you to take a few minutes to go through this booklet. It contains important information on installation and care tips to keep your furniture looking as good as new.

Item NO.:BV CB05724 / BV B05730

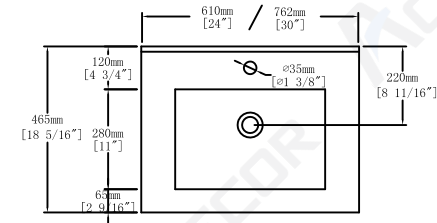
Hardware

NO.	Draw	QTY	NO.	Draw	QTY
A	 Screws M4x8mm	6	F	 Gate Shaft	2
B	 Screws M6x12mm	4	G	 Door Pivot Gasket	2
C	 Shelf Support	4	H	 Expansion Screw	2
D	 Handle	2	I	 Decorative cover	2
E	 Handle screws (M4 x22mm)	2	J	 Screwdriver	1

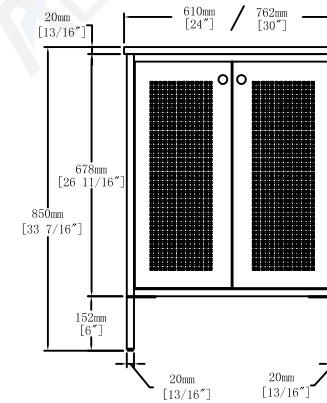
Recommended tools



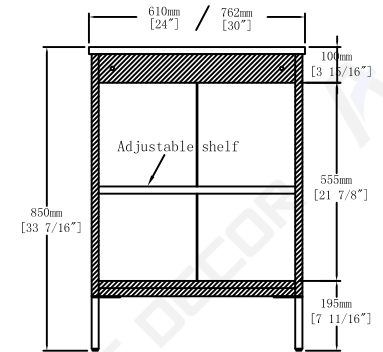
Dimensions



Top View



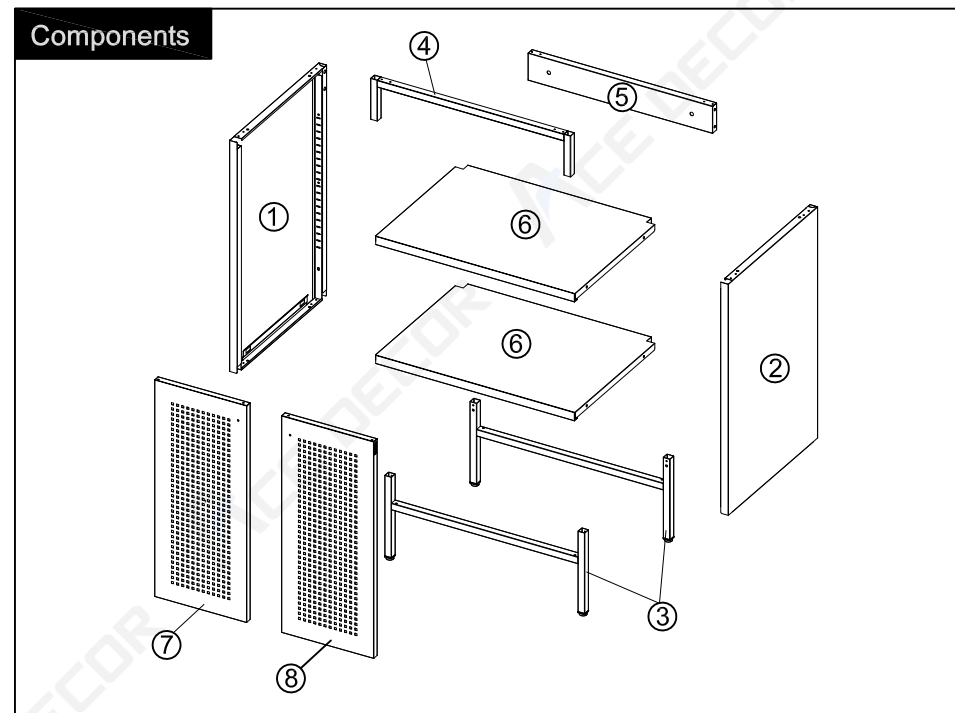
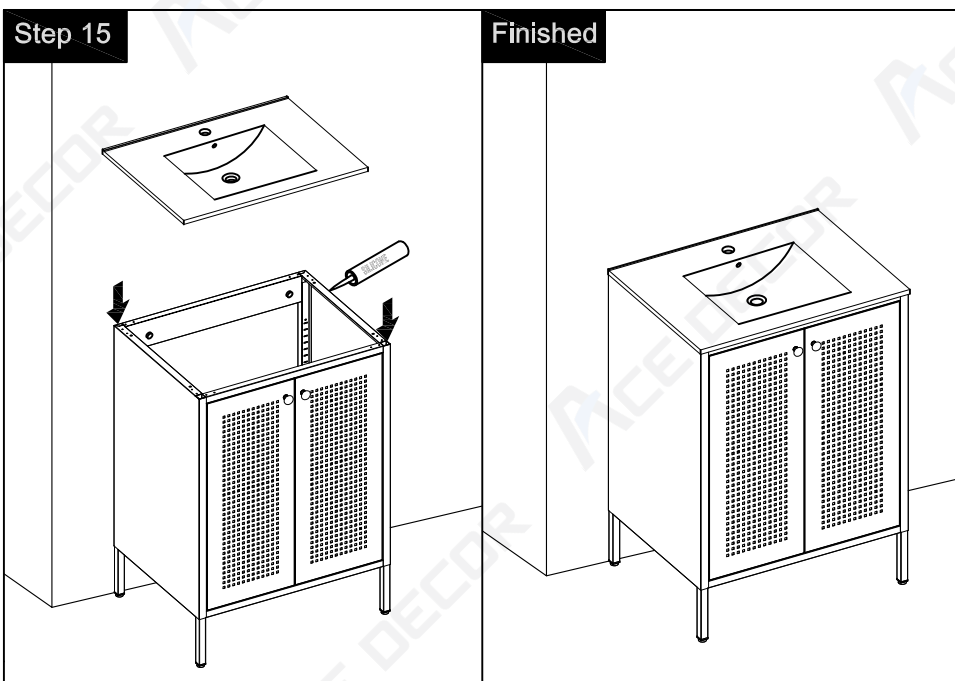
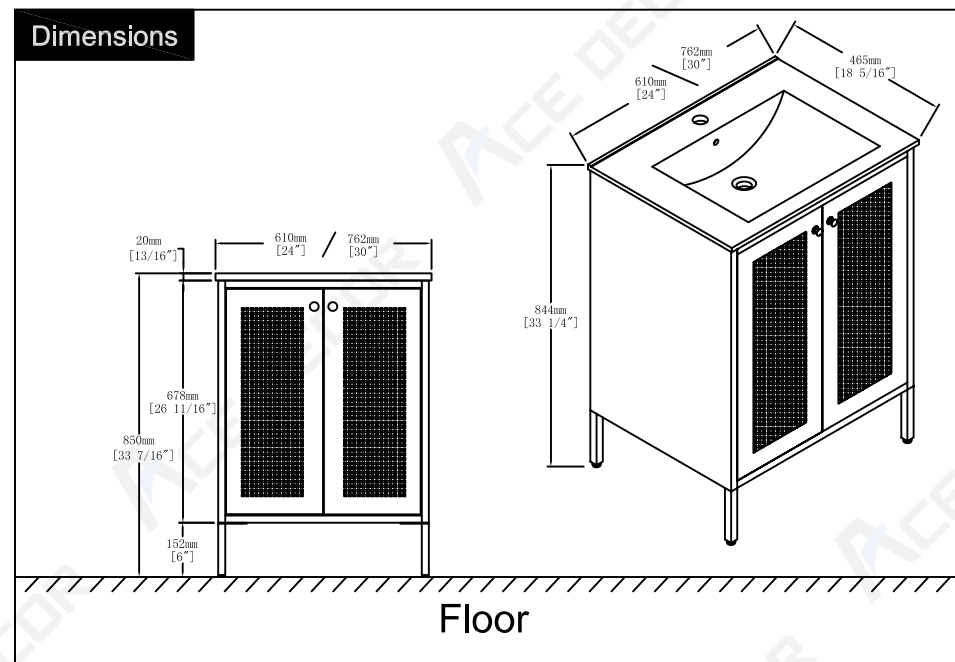
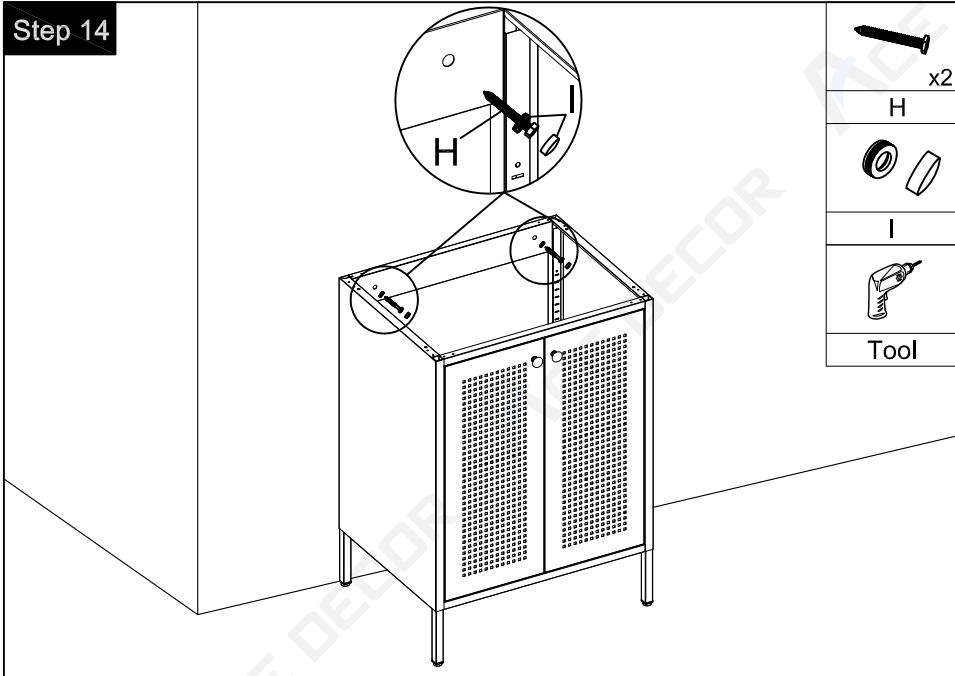
Front View



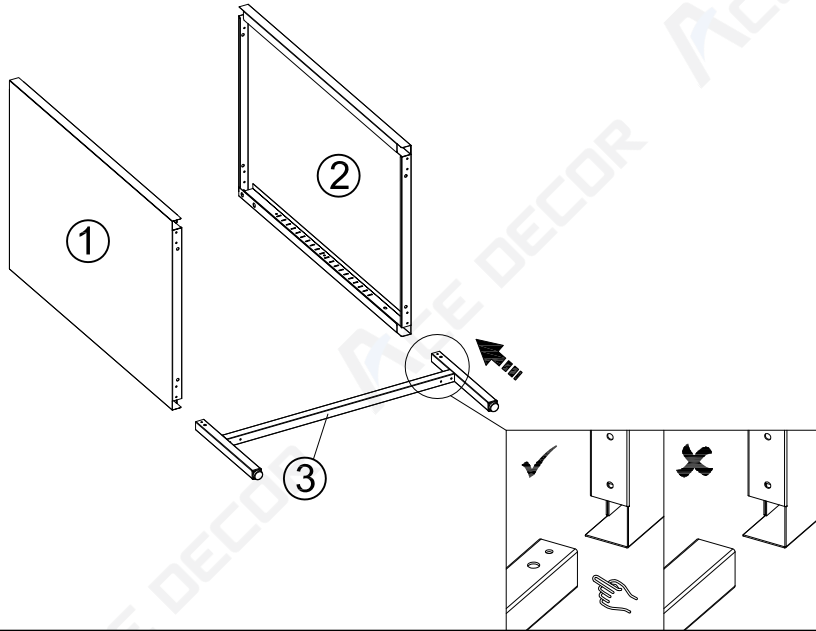
Back View

CARE CLEANING AND MAINTENANCE

- 1.Avoid bumping and hard objects scratching surface spray plastic.
- 2.Choose a soft cotton cloth to wipe, avoid the use of metal brush, hard brush or rough cloth.
- 3.The sink top is resilient, but care needs to be taken to preserve its appearance.
- 4.Do not place hot appliances, such as curling irons and hot hair dryers directly on the countertop. Wipe spills immediately.

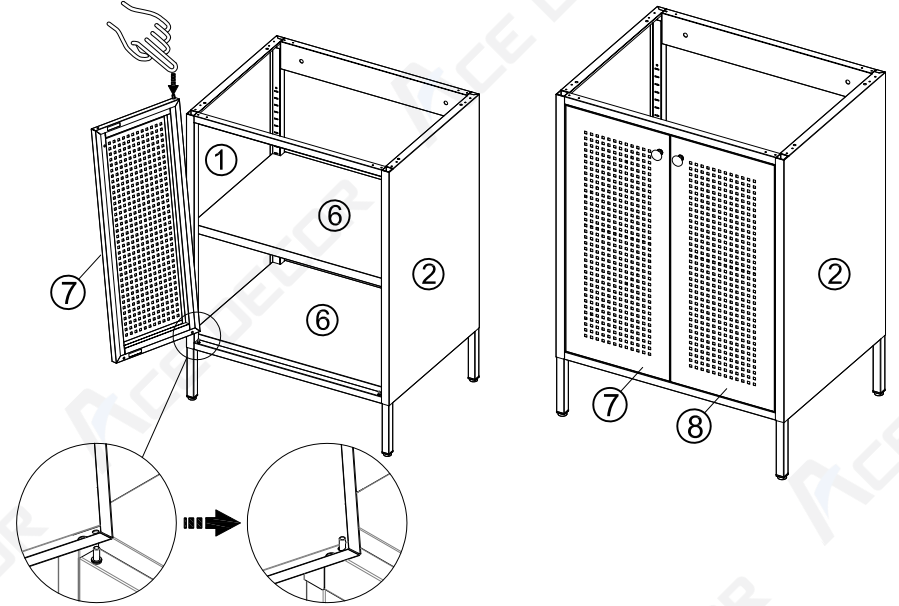


Step 1

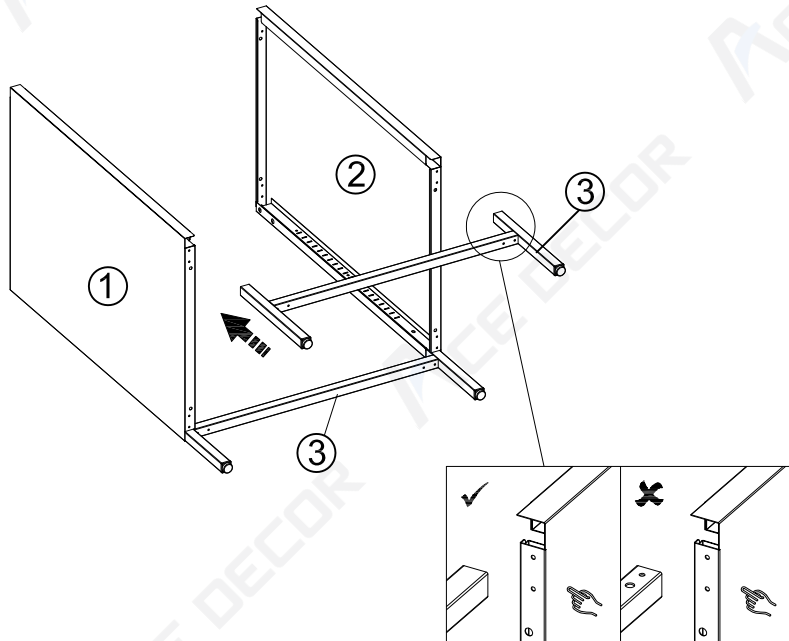


Step 11

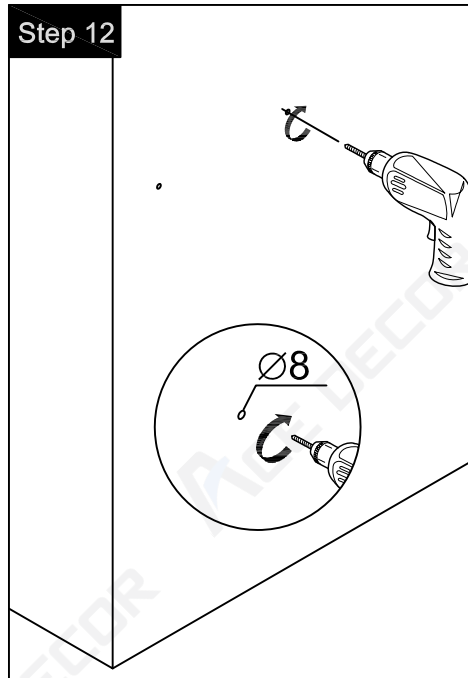
Press down on the gate shaft



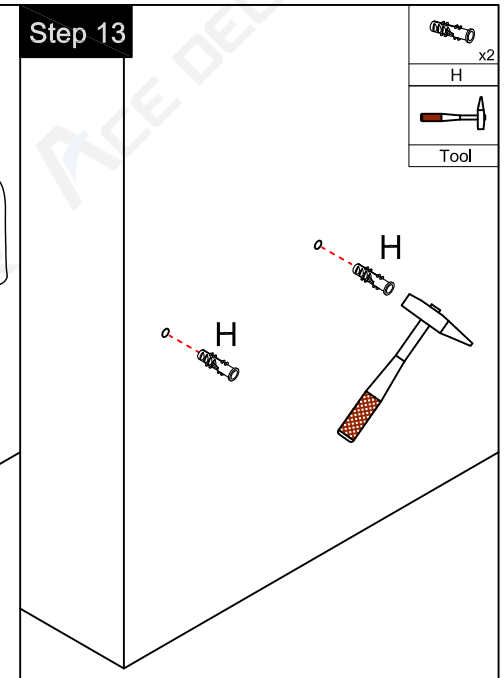
Step 2



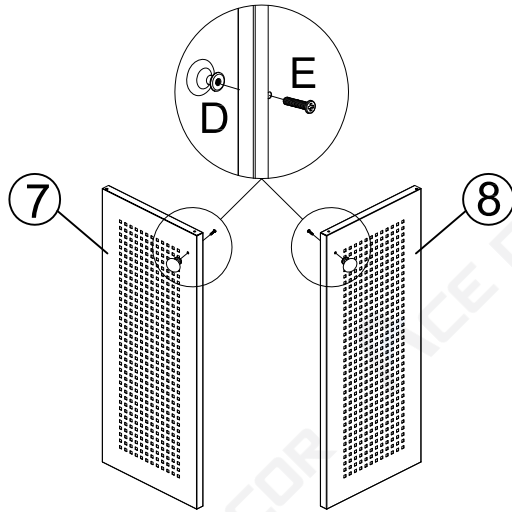
Step 12






Step 13

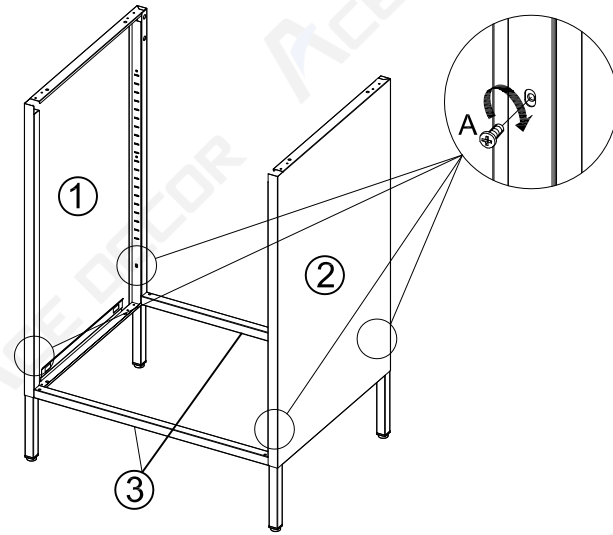




Step 9



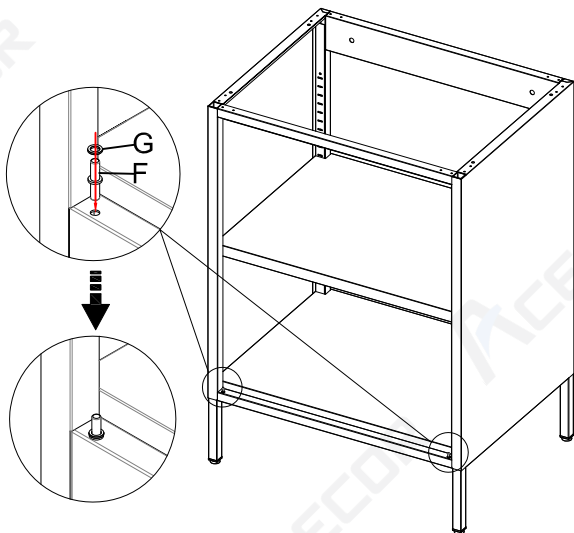
	x2
D	M4x22mm
	x2
E	
	
J	

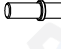

Step 3



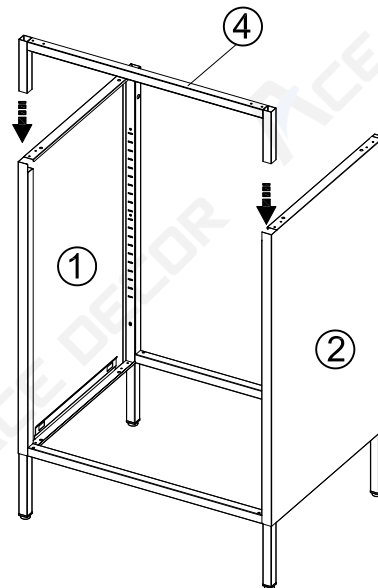
M4x8mm	
	x4
A	
	
J	

Step 10

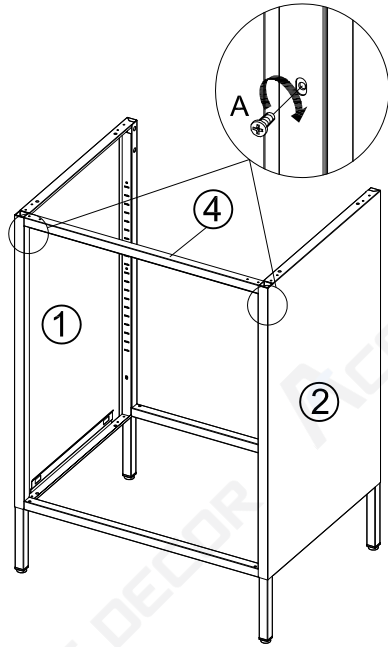


	x2
F	
	x2
G	

Step 4



Step 5



M4x8mm



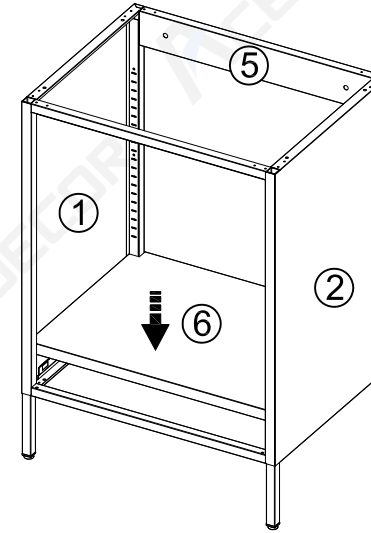
x2

A

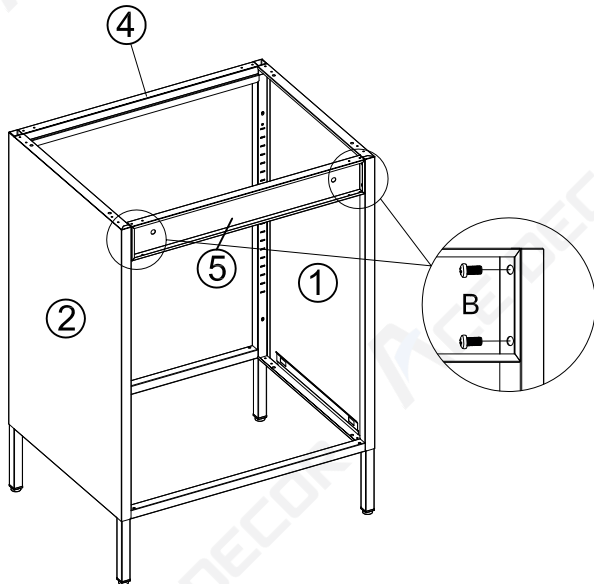


J

Step 7



Step 6



M6x12mm



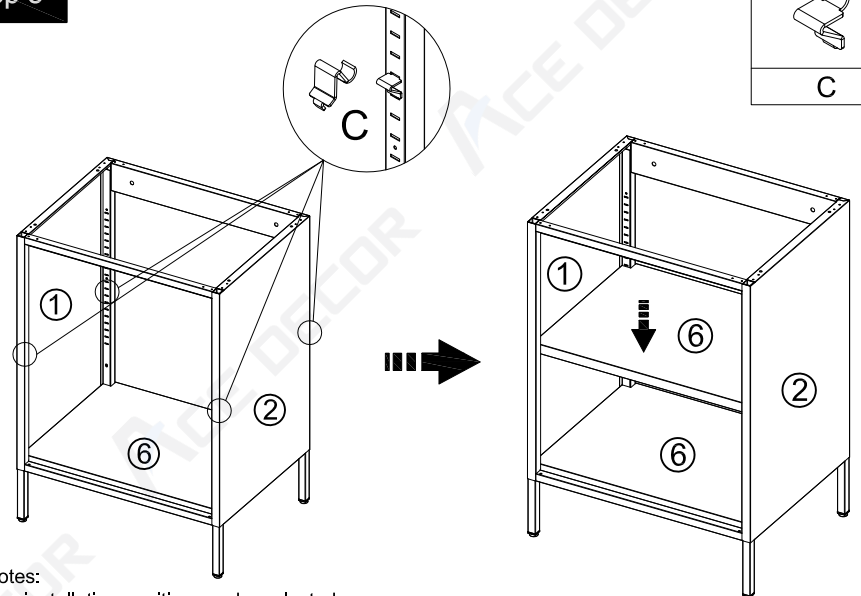
x4

B



J

Step 8



x4

C

Notes:
The installation position can be selected according to the required height.