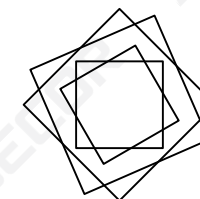
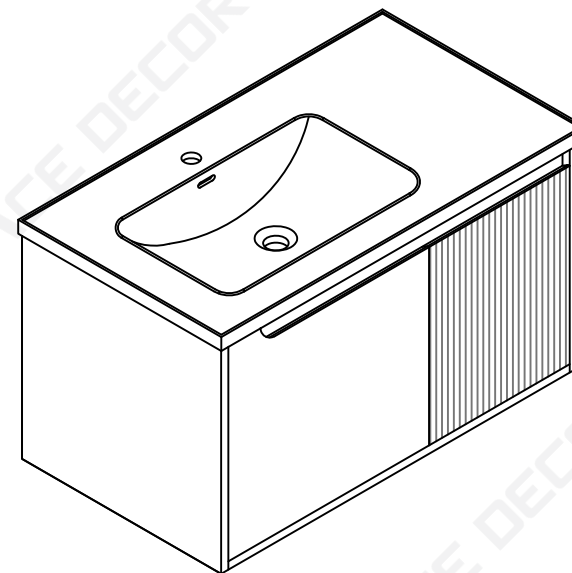


Installation Manual- BV B08832
BV B08836

**MOTIVATE
YOUR LIFE !**

THANKS FOR WATCHING

Your feedback is invaluable to us and we would love to hear about your experience. Please take the time to leave us a review.


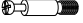





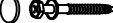
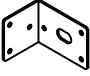




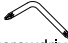
Thank you for shopping with us!

We encourage you to take a few minutes to go through this booklet. It contains important information on installation and care tips to keep your furniture looking as good as new.

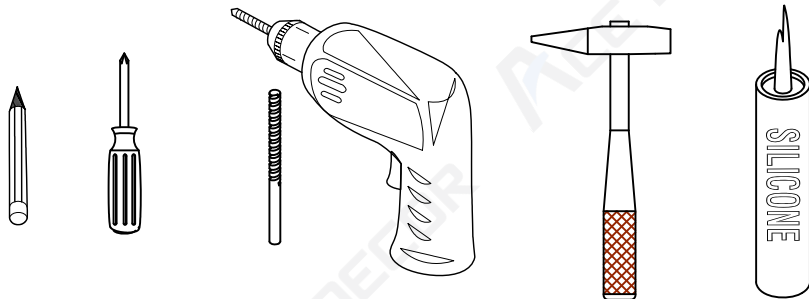
Item NO.:BV B08832 / BV B08836

Hardware

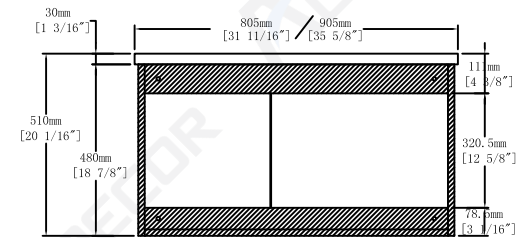
NO.	Draw	QTY
A	 Screws Ø4x14mm	44
B	 Two-in-one connector	17
C	 Two-in-one connector	17
D	 Wood plug	4
E	 Plastic anchor(Ø10mm)	4

NO.	Draw	QTY
F	 Screws for fix on the wall	4
G	 Bracket (53x70x44mm)	2
H	 Bracket (19x19x35mm)	2
I	 Hinges (Internal hiding)	4
J	 Anti-collision gasket	2
K	 Door stopper	2
L	 Screwdriver	1

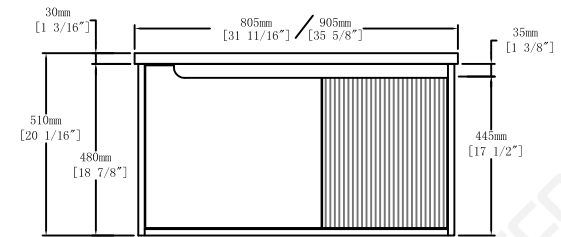
Recommended tools



Dimensions



Back View

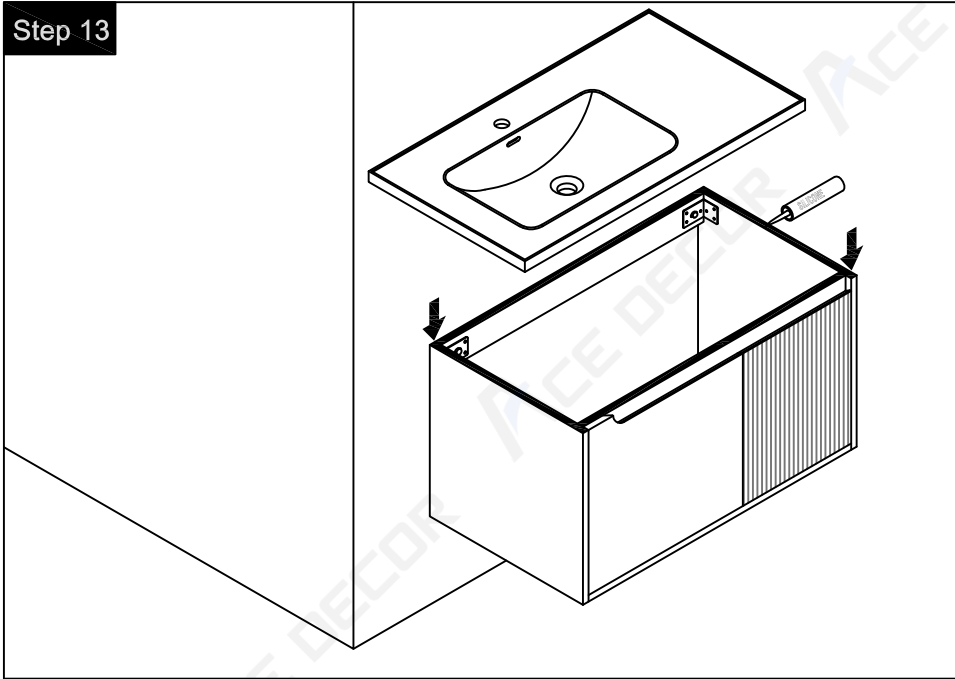


Front View

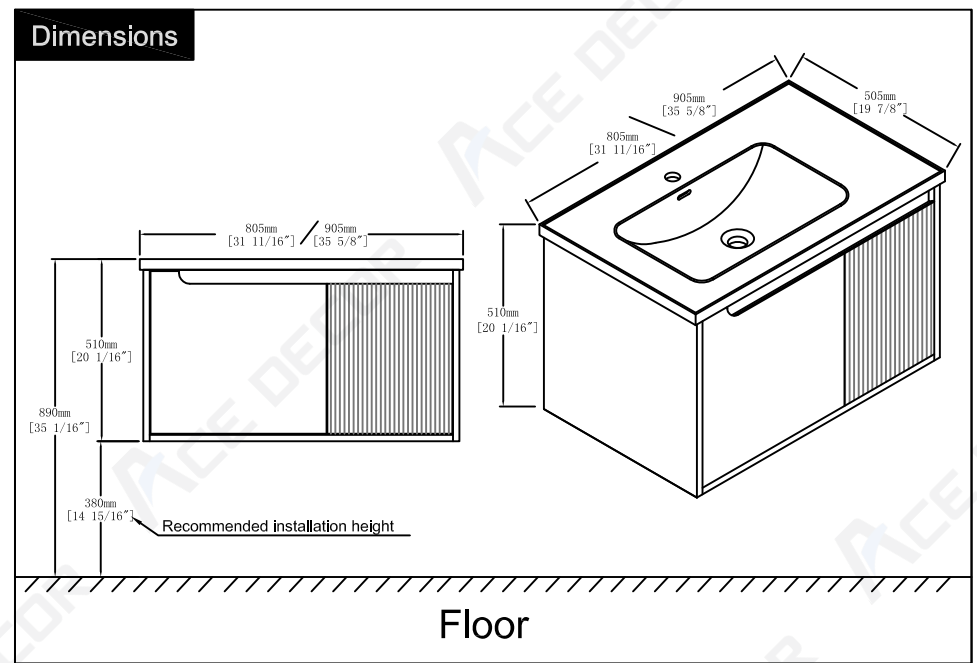
CARE CLEANING AND MAINTENANCE

- 1.Dust regularly with a soft , dry cloth.
- 2.Avoid the use of all chemicals household cleaners, abrasives, or cleaners that contain lemon, vinegar, or other acids that may damage the finish.
- 3.Excessive exposure to sunlight and extreme changes in temperature and moisture can damage wood furniture.
- 4.The sink top is resilient, but care needs to be taken to preserve its appearance.
- 5.Do not place hot appliances, such as curling irons and hot hair dryers directly on the countertop. Wipe spills immediately.

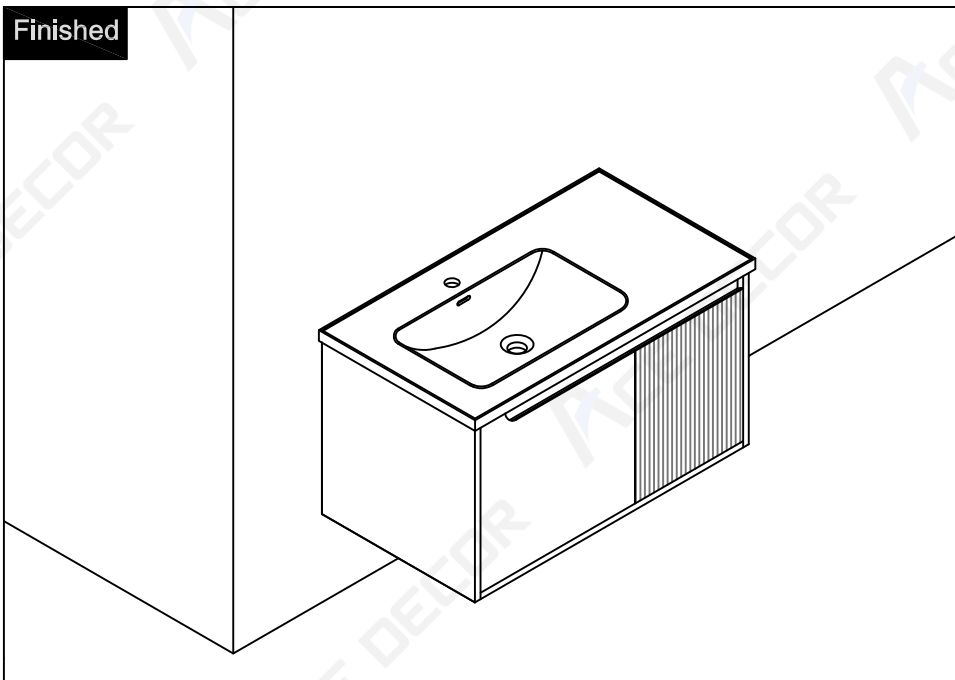
Step 13



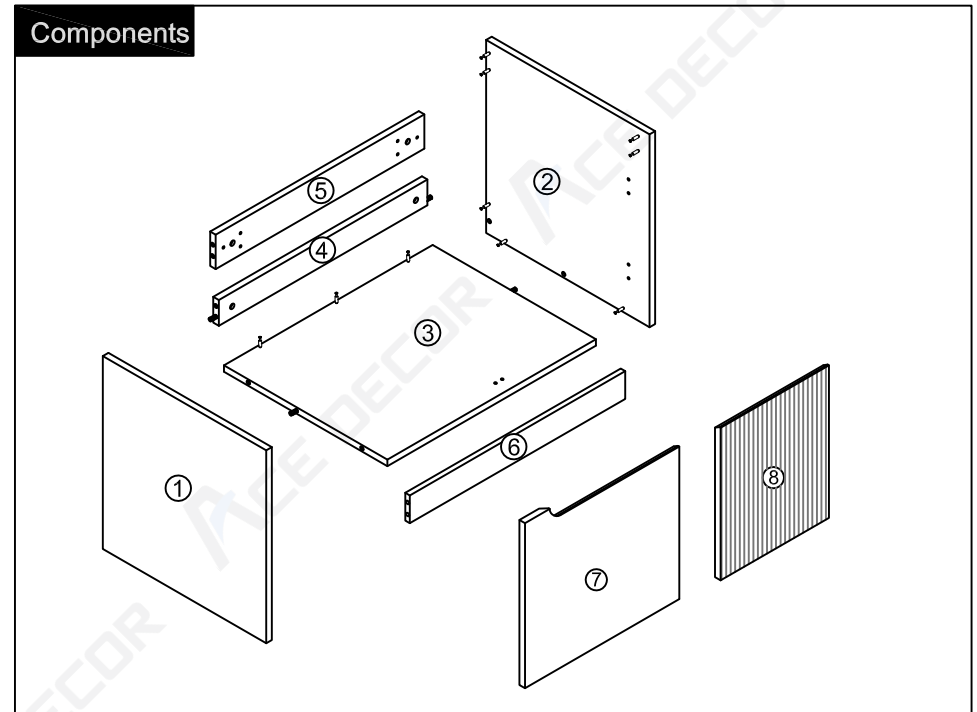
Dimensions



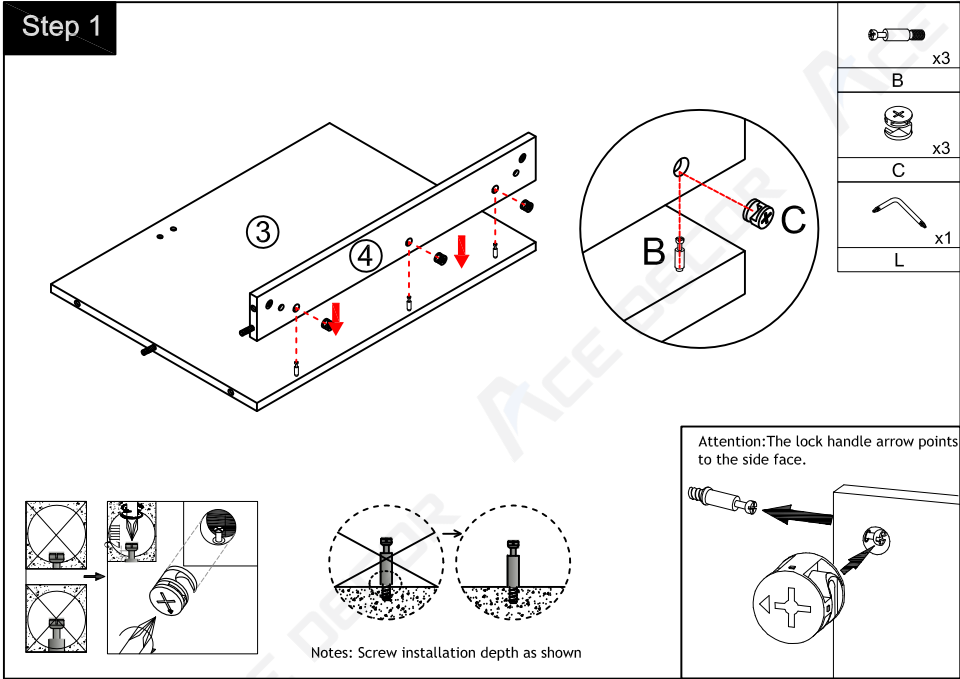
Finished



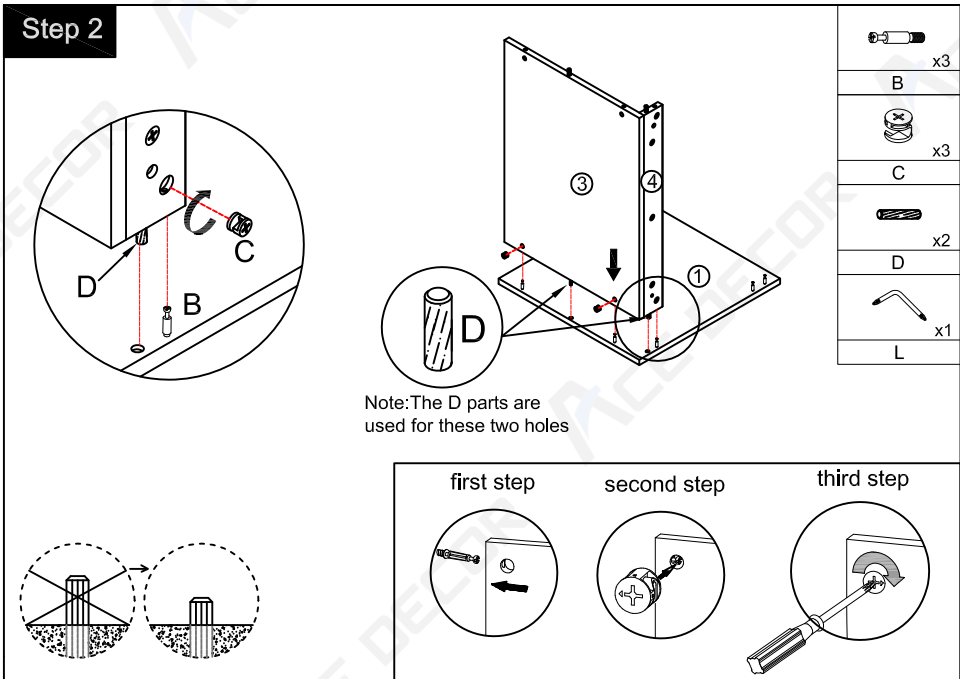
Components



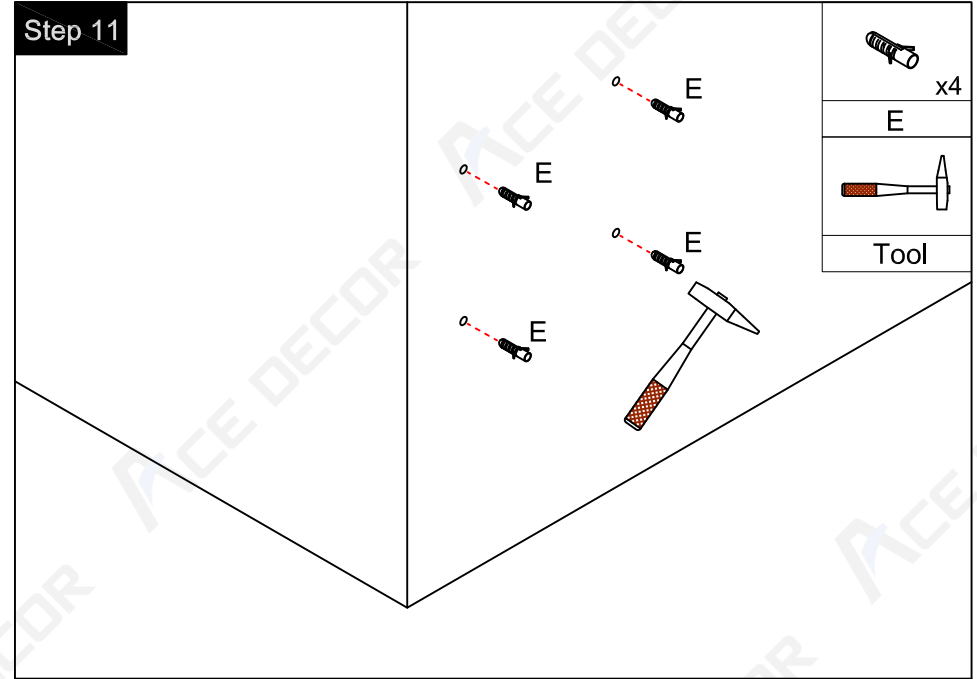
Step 1



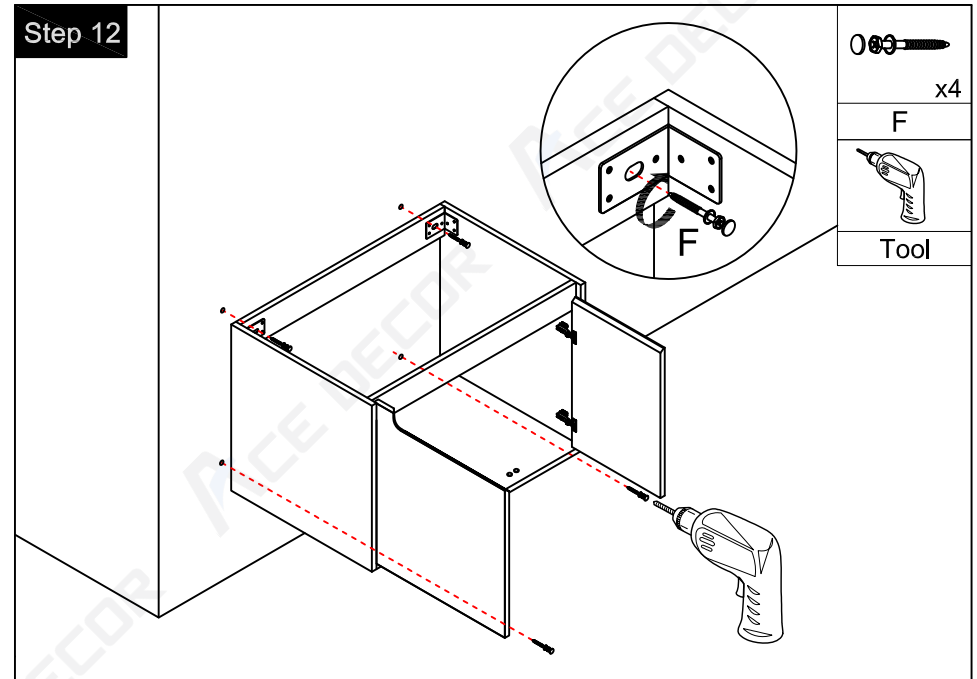
Step 2



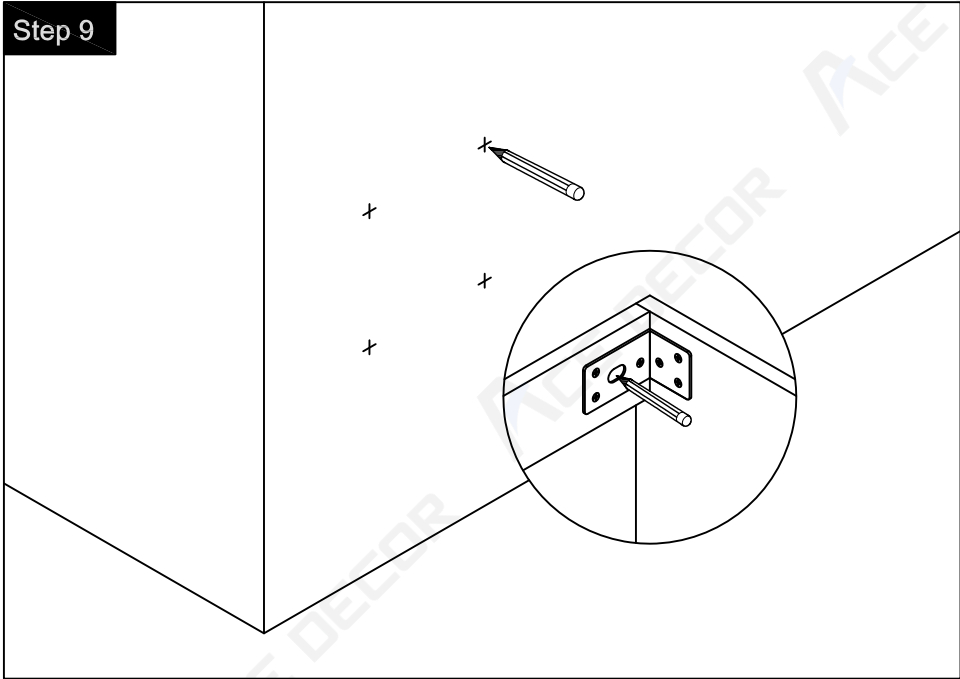
Step 11



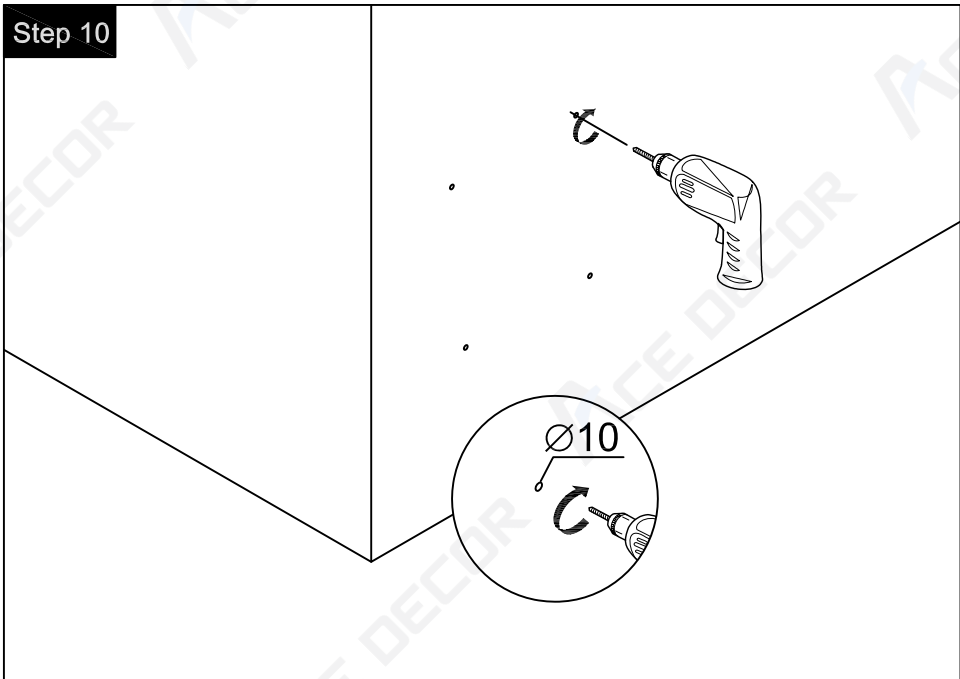
Step 12



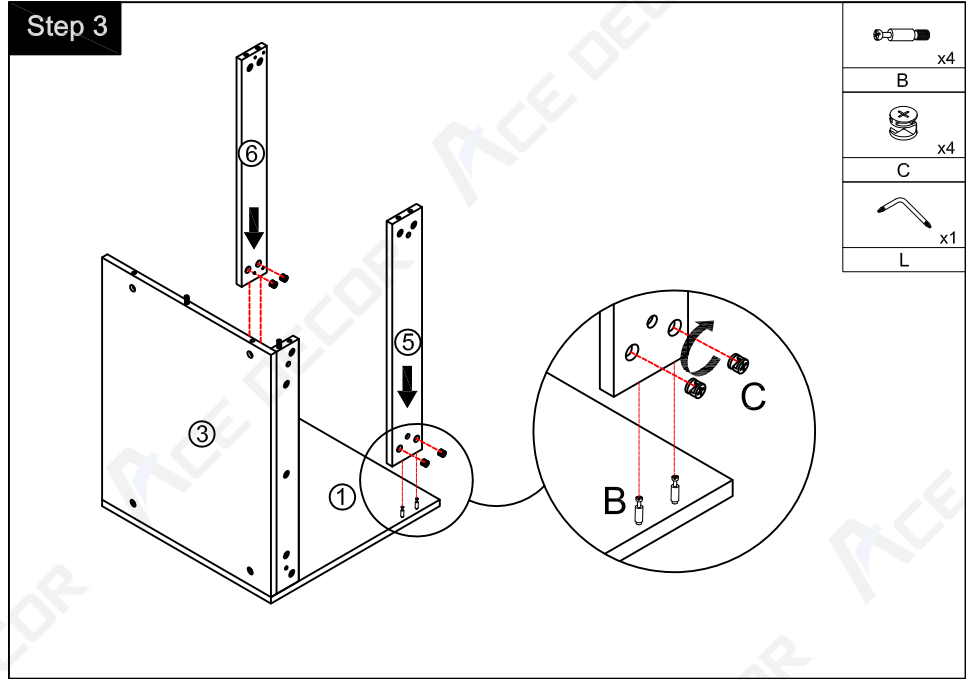
Step 9



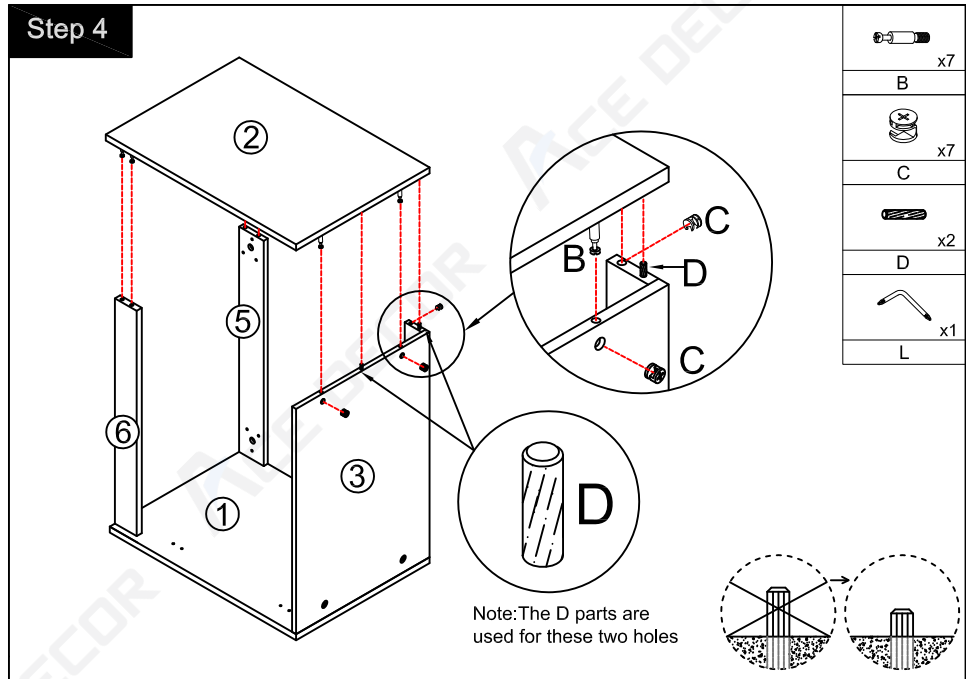
Step 10



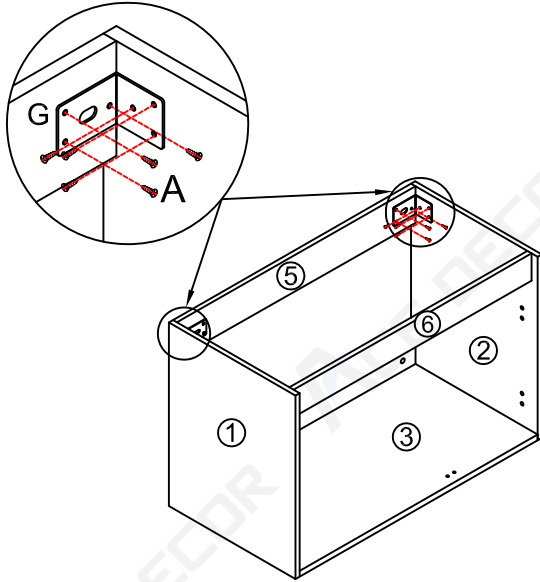
Step 3






Step 4

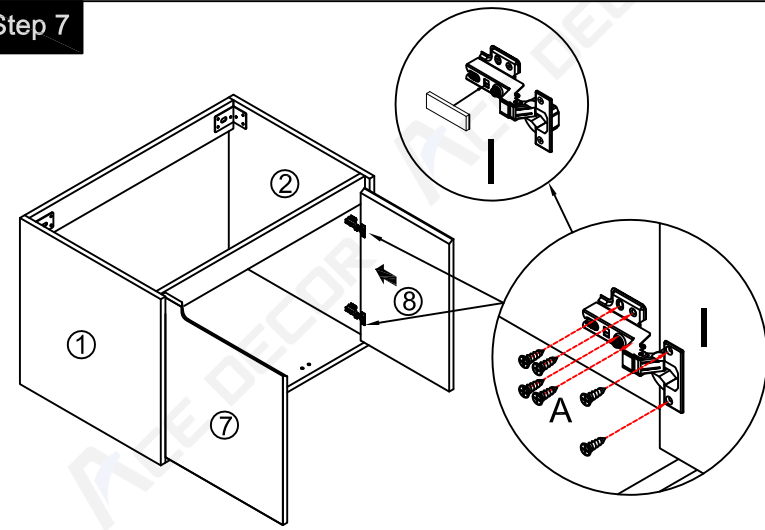


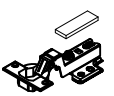


Step 5



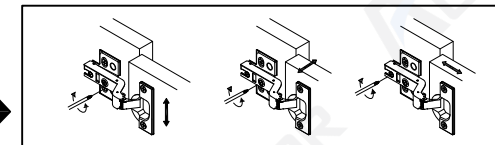
	x2
G	(∅4 x 14mm)
	x12
A	
	
Tool	

Step 7

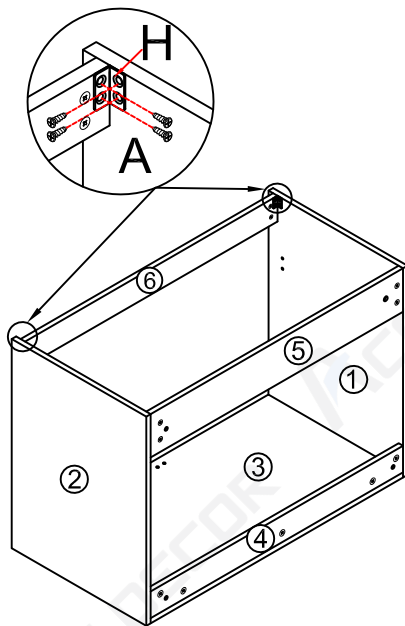





	x4
I	(∅4 x 14mm)
	x24
A	
	
Tool	

You can adjust the doors by tightening or loosening the screws on the hinge. →

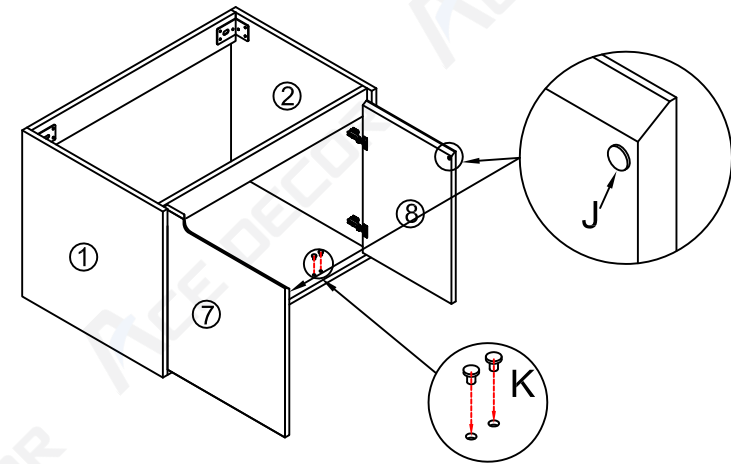




Step 6



	x2
H	(∅4 x 14mm)
	x8
A	
	
Tool	

Step 8



	x2
J	
	x2
K	