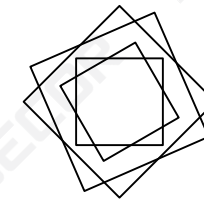
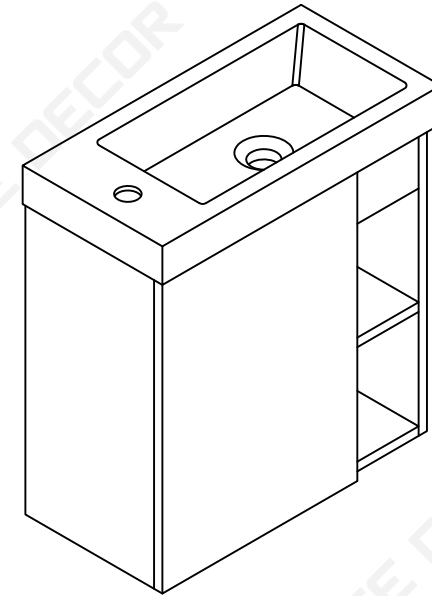


Installation Manual- BV C07520 CPW
BV C07520 PB

**MOTIVATE
YOUR LIFE !**

THANKS FOR WATCHING

Your feedback is invaluable to us and we would love to hear about your experience. Please take the time to leave us a review.


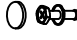
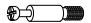
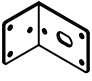



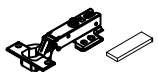





Thank you for shopping with us!

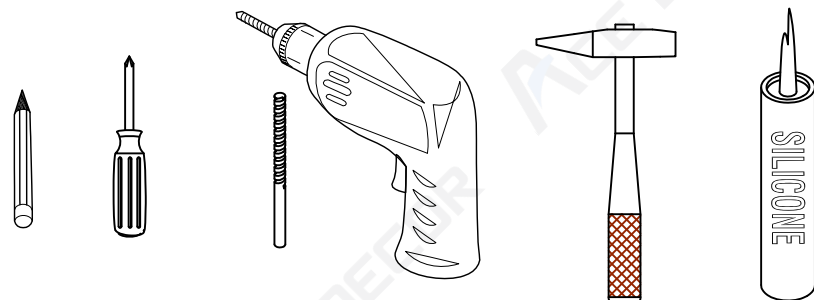
We encourage you to take a few minutes to go through this booklet. It contains important information on installation and care tips to keep your furniture looking as good as new.

Item NO.:BV C07520 CPW / BV C07520 PB

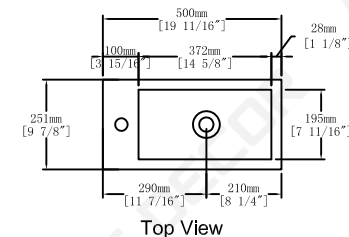
Hardware

NO.	Draw	QTY	NO.	Draw	QTY
A	 Screws Ø4x14mm	32	F	 Screws for fix on the wall	4
B	 Two-in-one connector	30	G	 Bracket (53x70x44mm)	2
C	 Two-in-one connector	30	H	 Bracket (19x19x35mm)	2
D	 Wood plug	7	I	 Hinges (Full cover)	2
E	 Plastic anchor(Ø10mm)	4	J	 Anti-collision gasket	2
			K	 Screwdriver	1

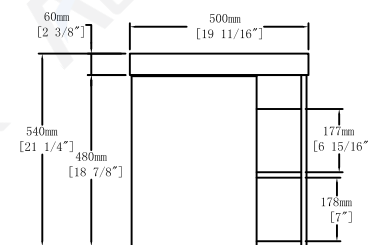
Recommended tools



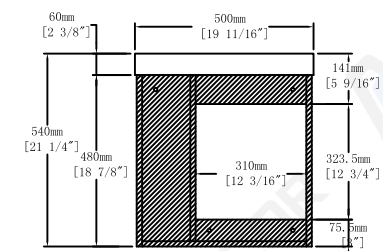
Dimensions



Top View



Front View

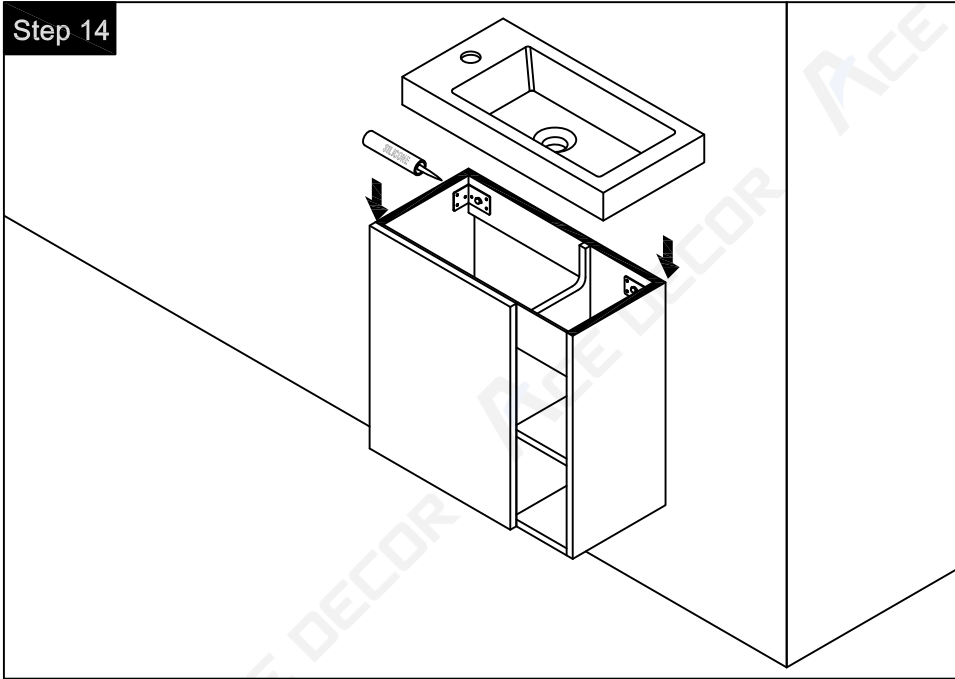


Back View

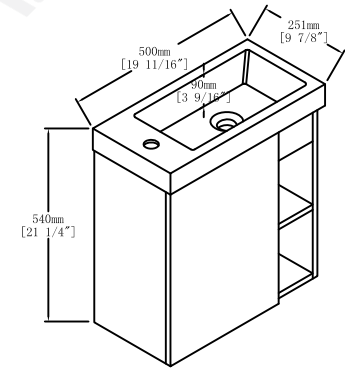
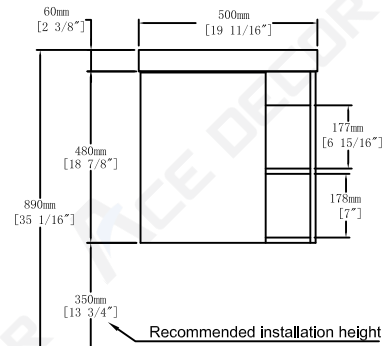
CARE CLEANING AND MAINTENANCE

1. Dust regularly with a soft , dry cloth.
2. Avoid the use of all chemicals household cleaners, abrasives, or cleaners that contain lemon, vinegar, or other acids that may damage the finish.
3. Excessive exposure to sunlight and extreme changes in temperature and moisture can damage wood furniture.
4. The sink top is resilient, but care needs to be taken to preserve its appearance.
5. Do not place hot appliances, such as curling irons and hot hair dryers directly on the countertop. Wipe spills immediately.

Step 14

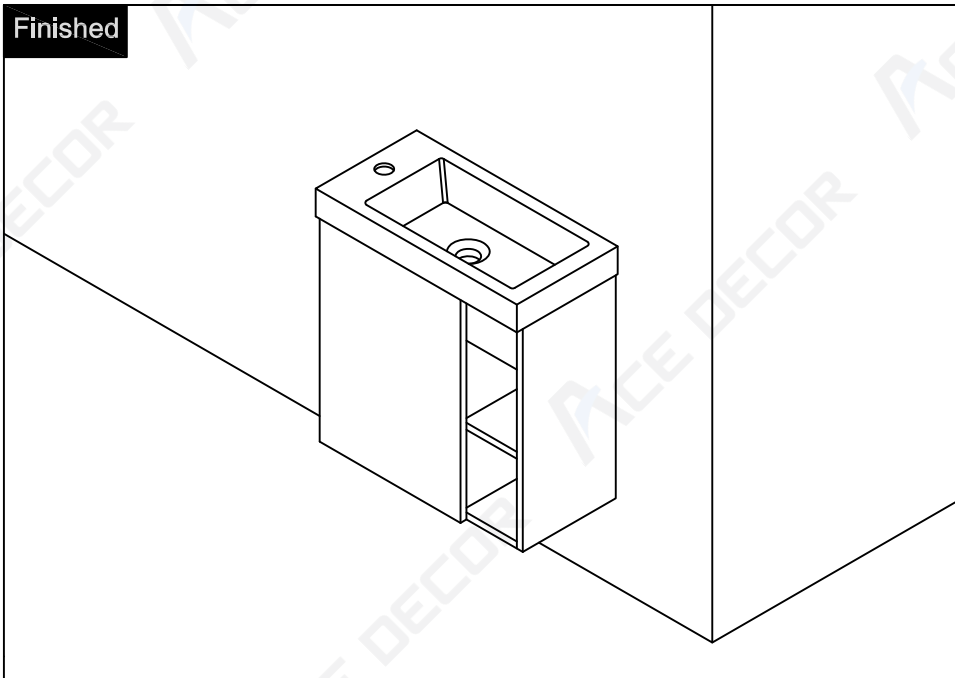


Dimensions

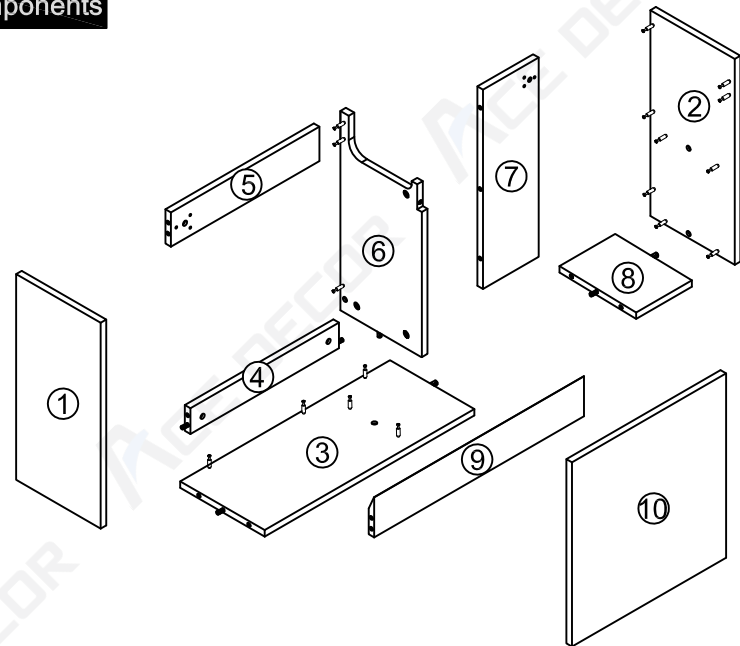


Floor

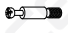

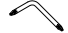
Finished

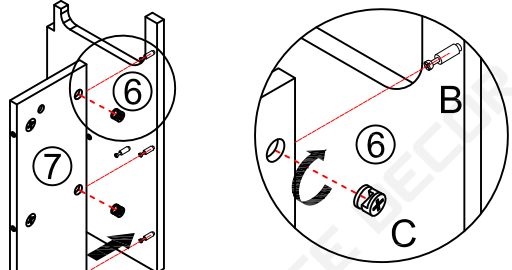


Components

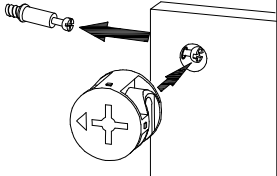


Step 1

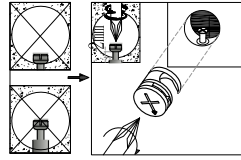
-  x3
- B**
-  x3
- C**
-  x1
- K**




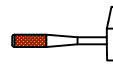
Attention: Cam lock arrow point to the steel rod.

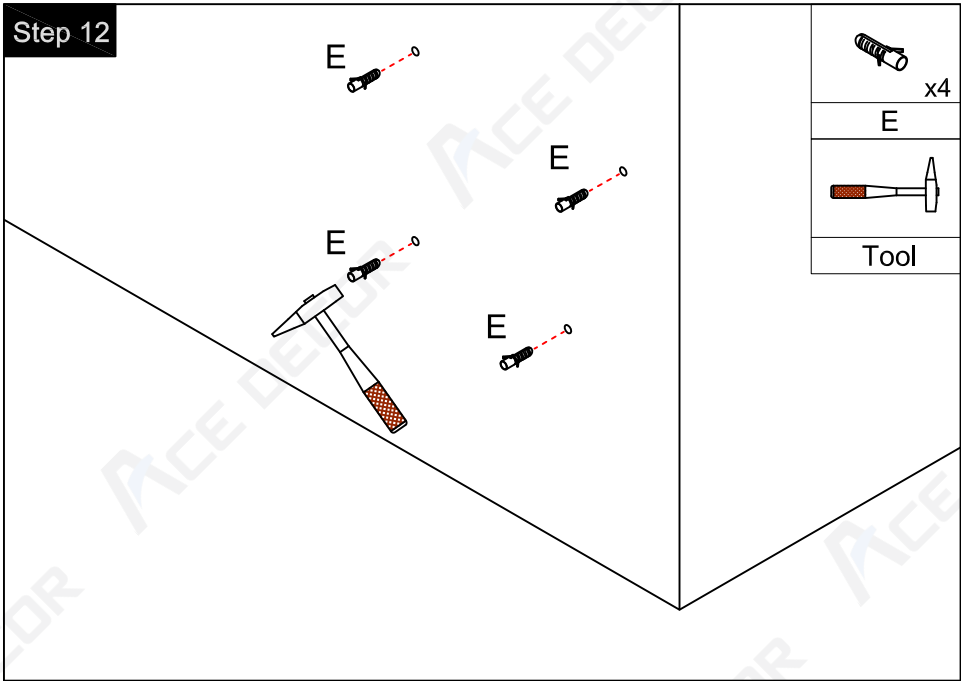


Notes: Screw installation depth as shown




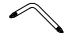


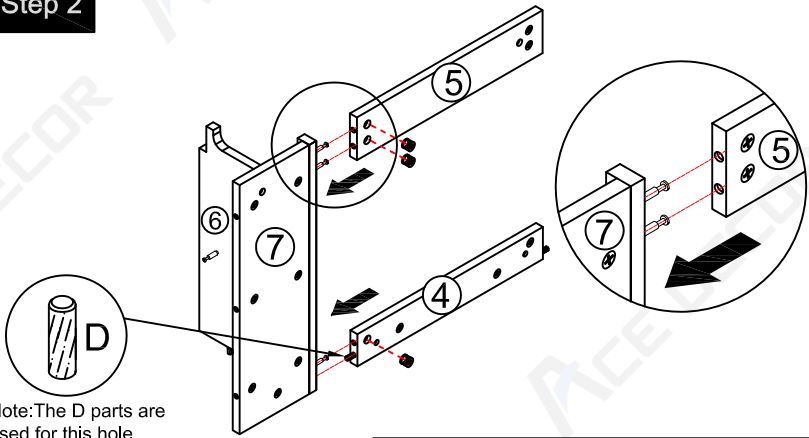
Step 12

-  x4
- E**
- 
- Tool**

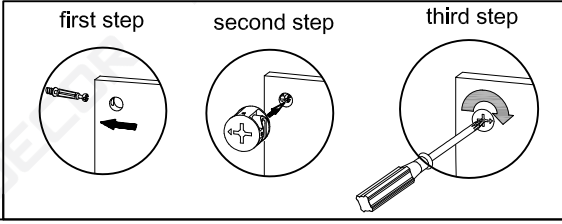
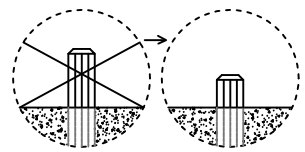


Step 2



-  x3
- B**
-  x3
- C**
-  x1
- D**
-  x1
- K**

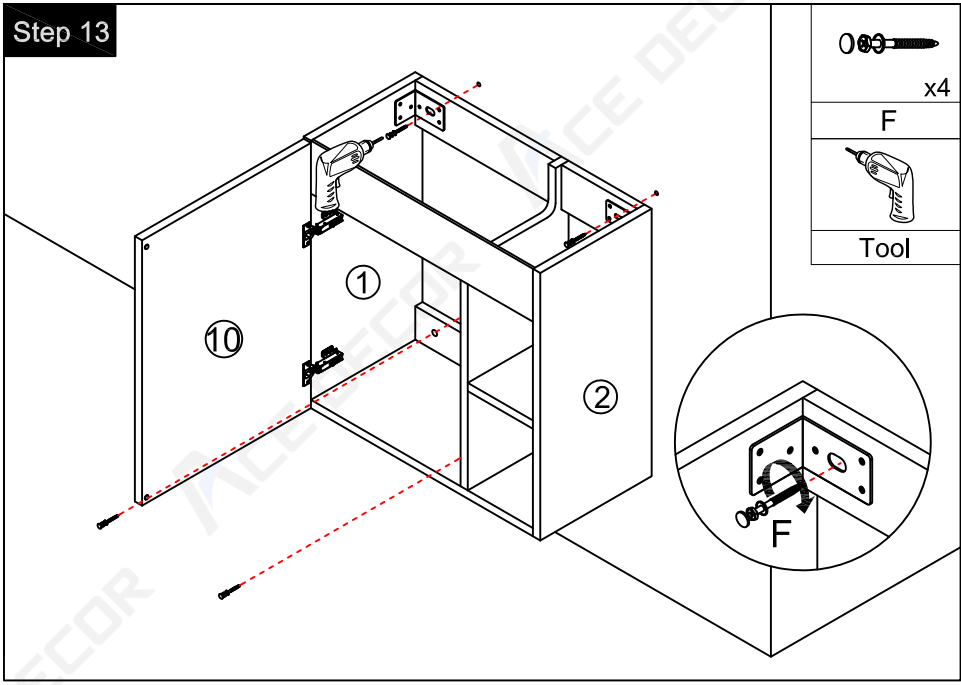


Note: The D parts are used for this hole

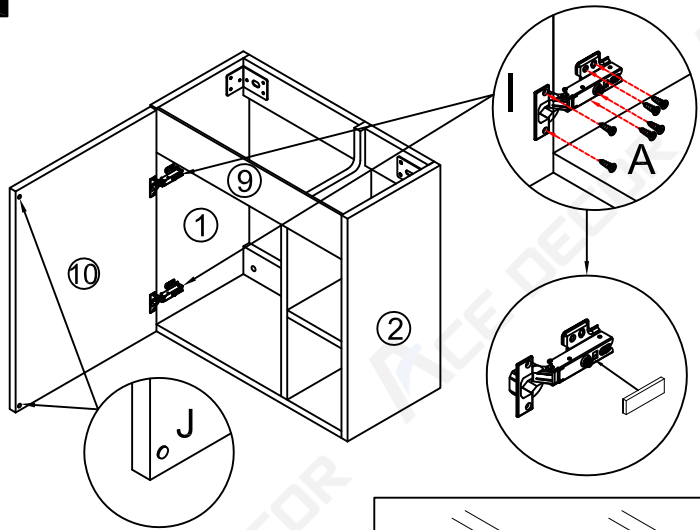






Step 13

-  x4
- F**
- 
- Tool**

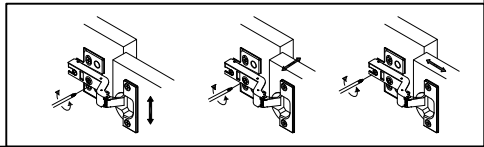


Step 9

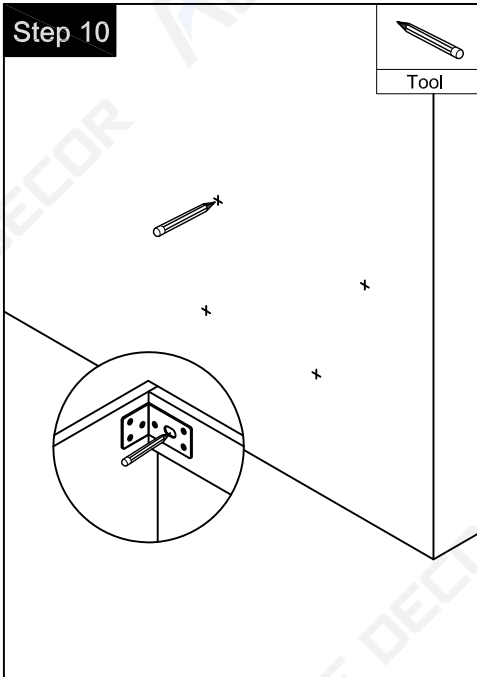


-  x2
- I
- ($\varnothing 4 \times 14\text{mm}$)
-  x12
- A
-  x2
- J
- 
- Tool

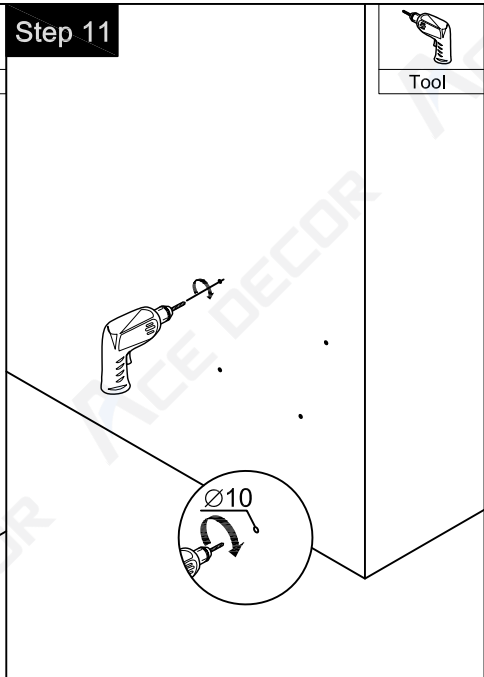
You can adjust the doors by tightening or loosening the screws on the hinge. →



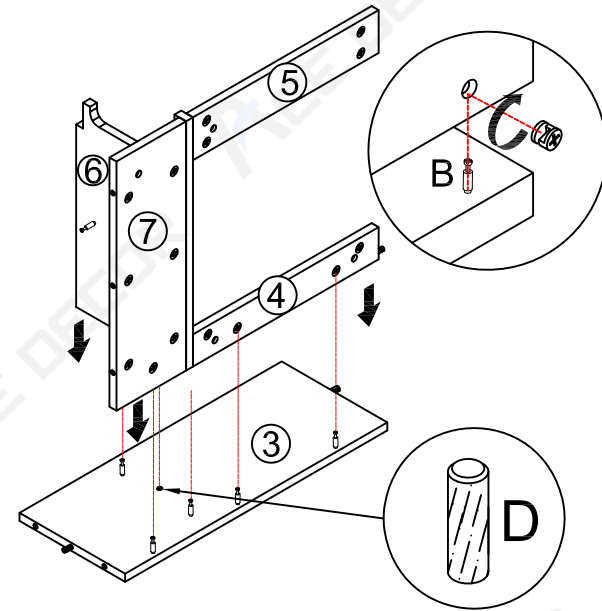
Step 10

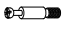


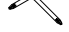


Step 11



Step 3

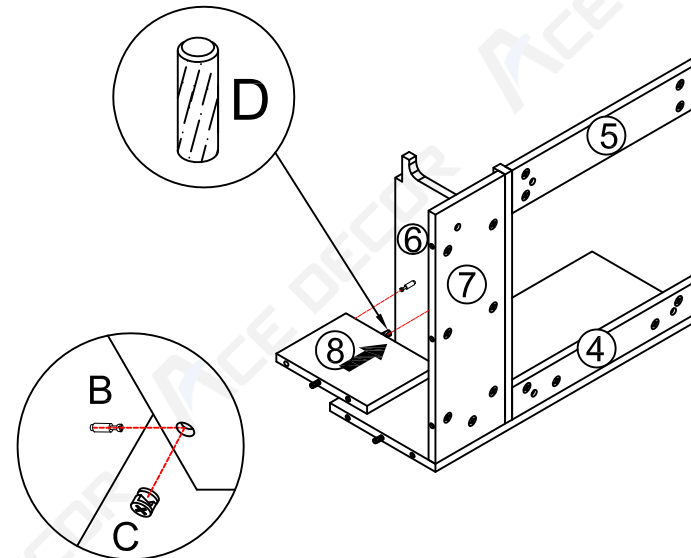


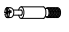


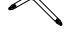
-  x5
- B
-  x5
- C
-  x1
- D
-  x1
- K

Note: The D parts are used for this hole

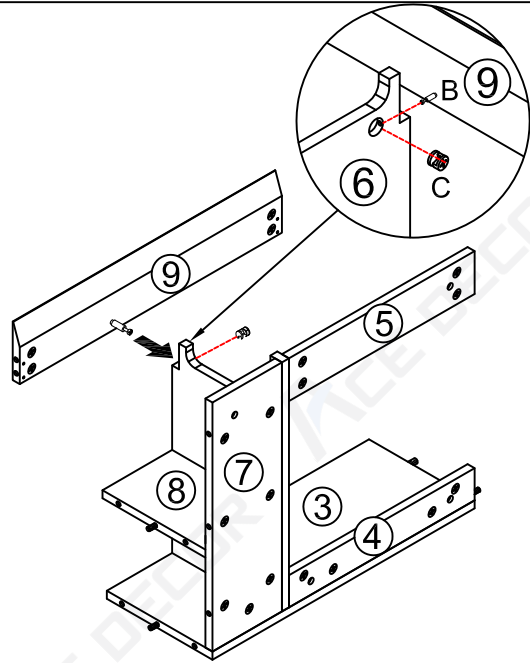
Step 4

Note: The D parts are used for this hole



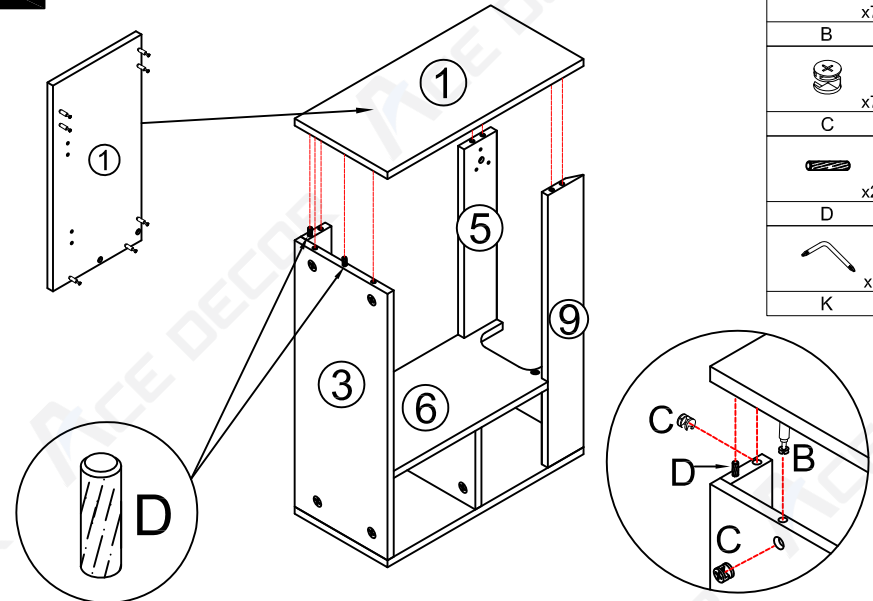
-  x2
- B
-  x2
- C
-  x1
- D
-  x1
- K

Step 5



	x1
B	
	x1
C	
	x1
K	

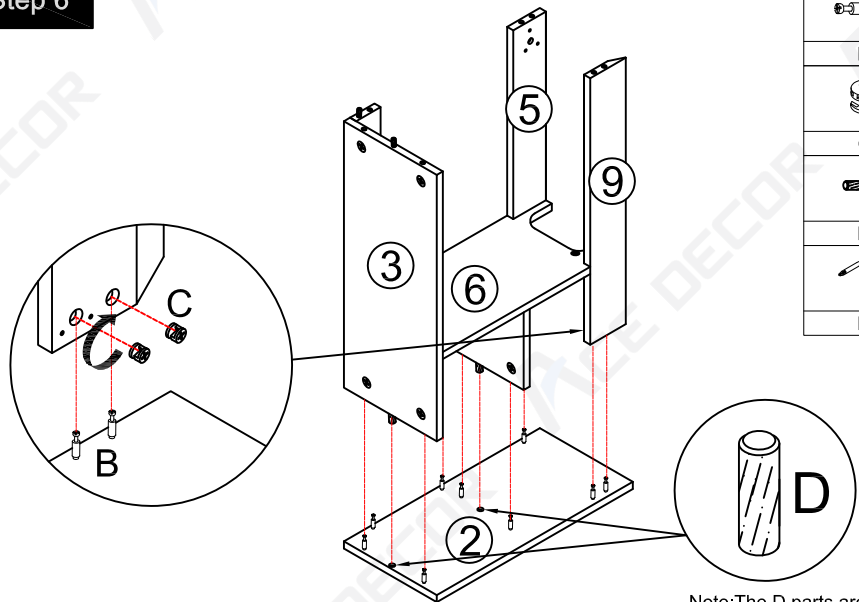
Step 7



	x7
B	
	x7
C	
	x2
D	
	x1
K	

Note: The D parts are used for these two holes

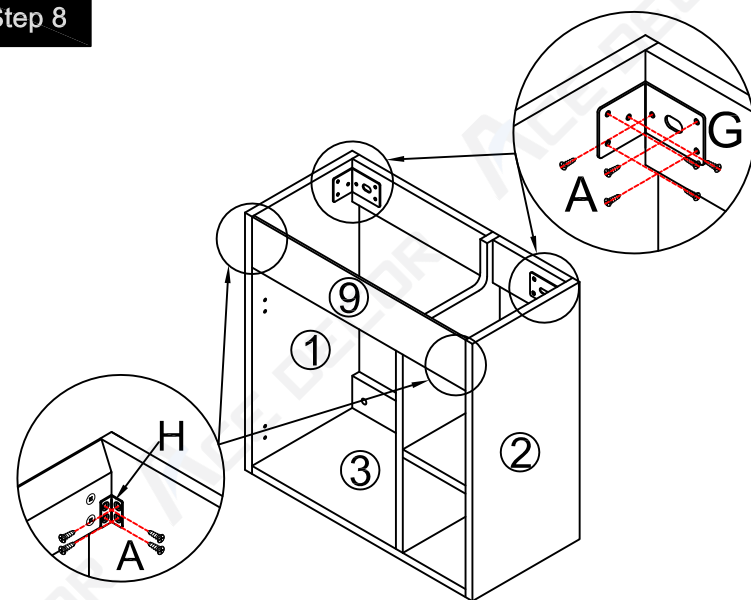
Step 6



	x9
B	
	x9
C	
	x2
D	
	x1
K	

Note: The D parts are used for these two holes

Step 8



	x2
G	
	x2
H	
($\varnothing 4 \times 14\text{mm}$)	
	x20
A	
Tool	