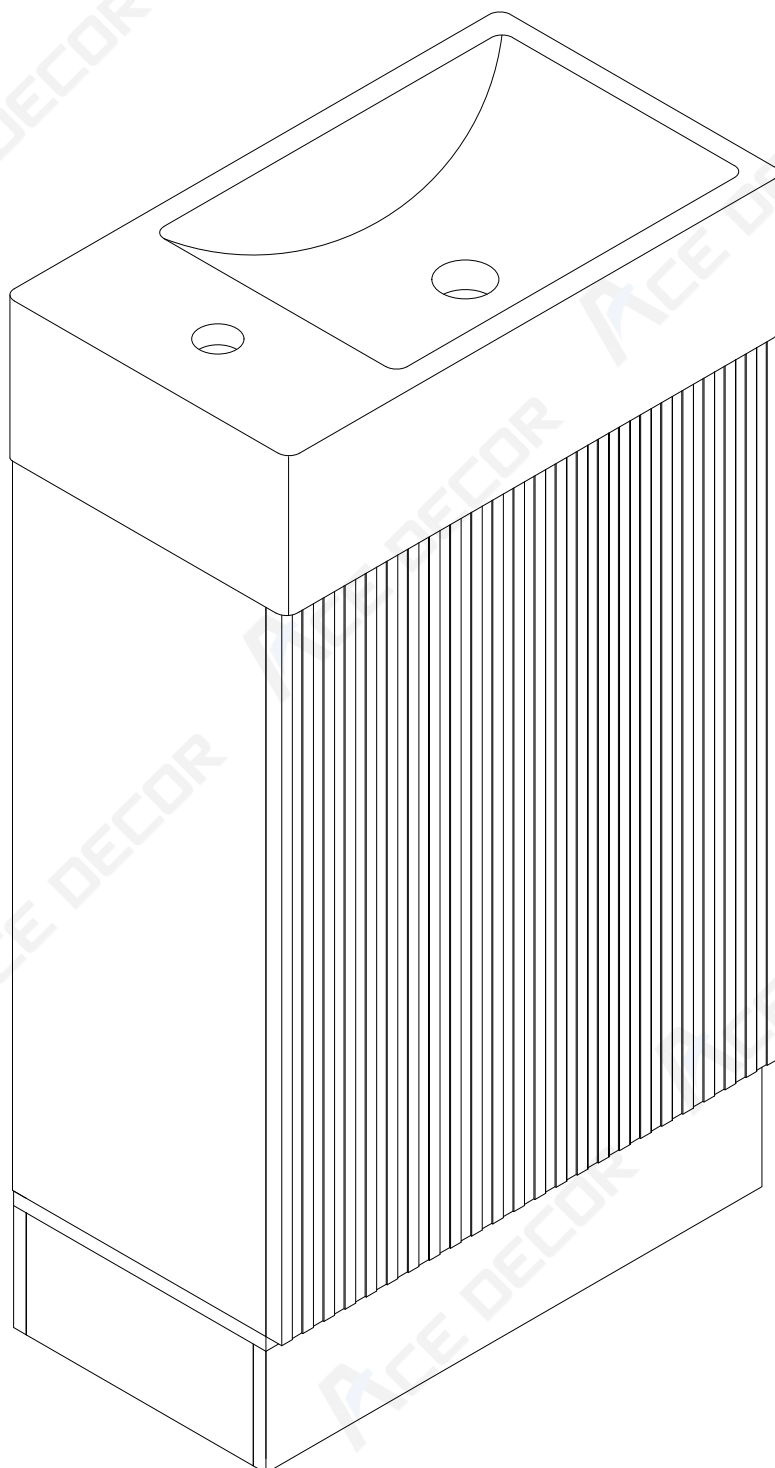
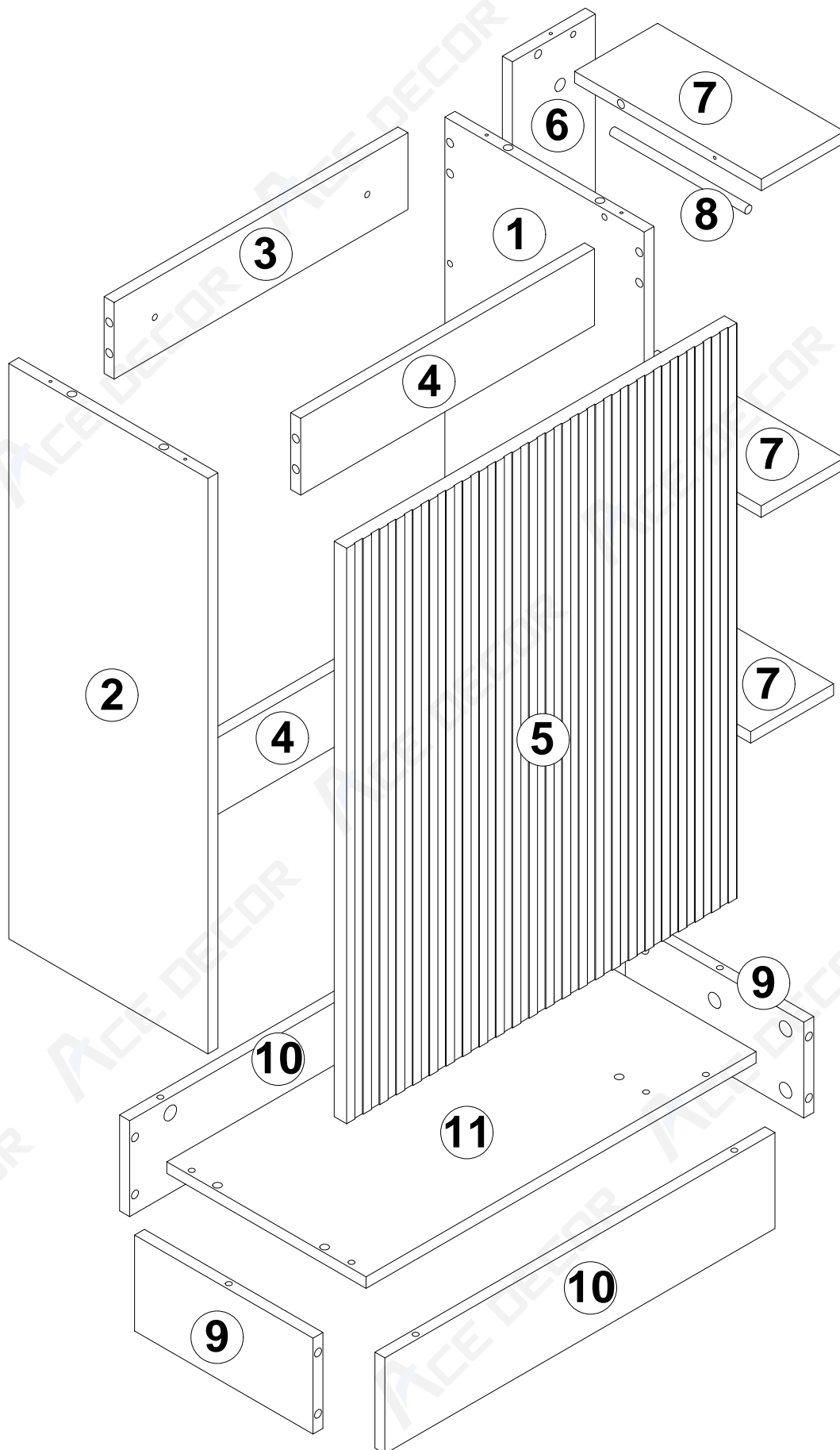


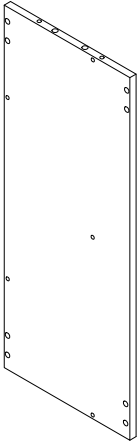
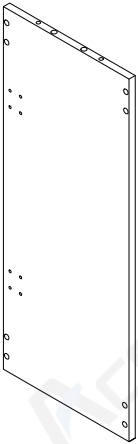
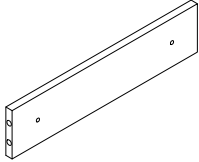
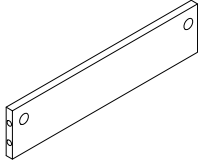
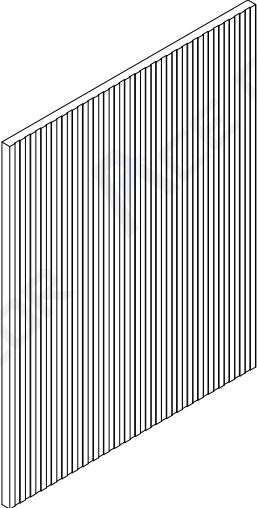
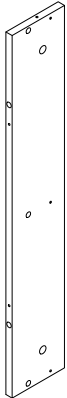
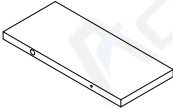
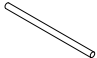
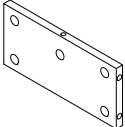
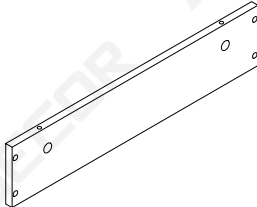
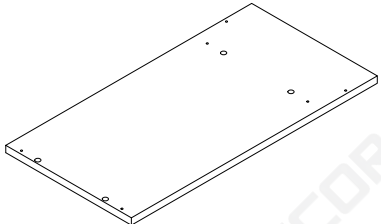
ASSEMBLY INSTRUCTION

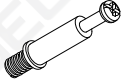




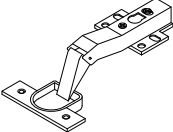
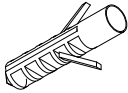
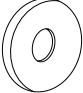
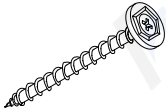

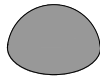
LEFT OR RIGHT IS UP TO YOU

N725P212181

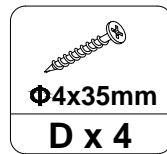
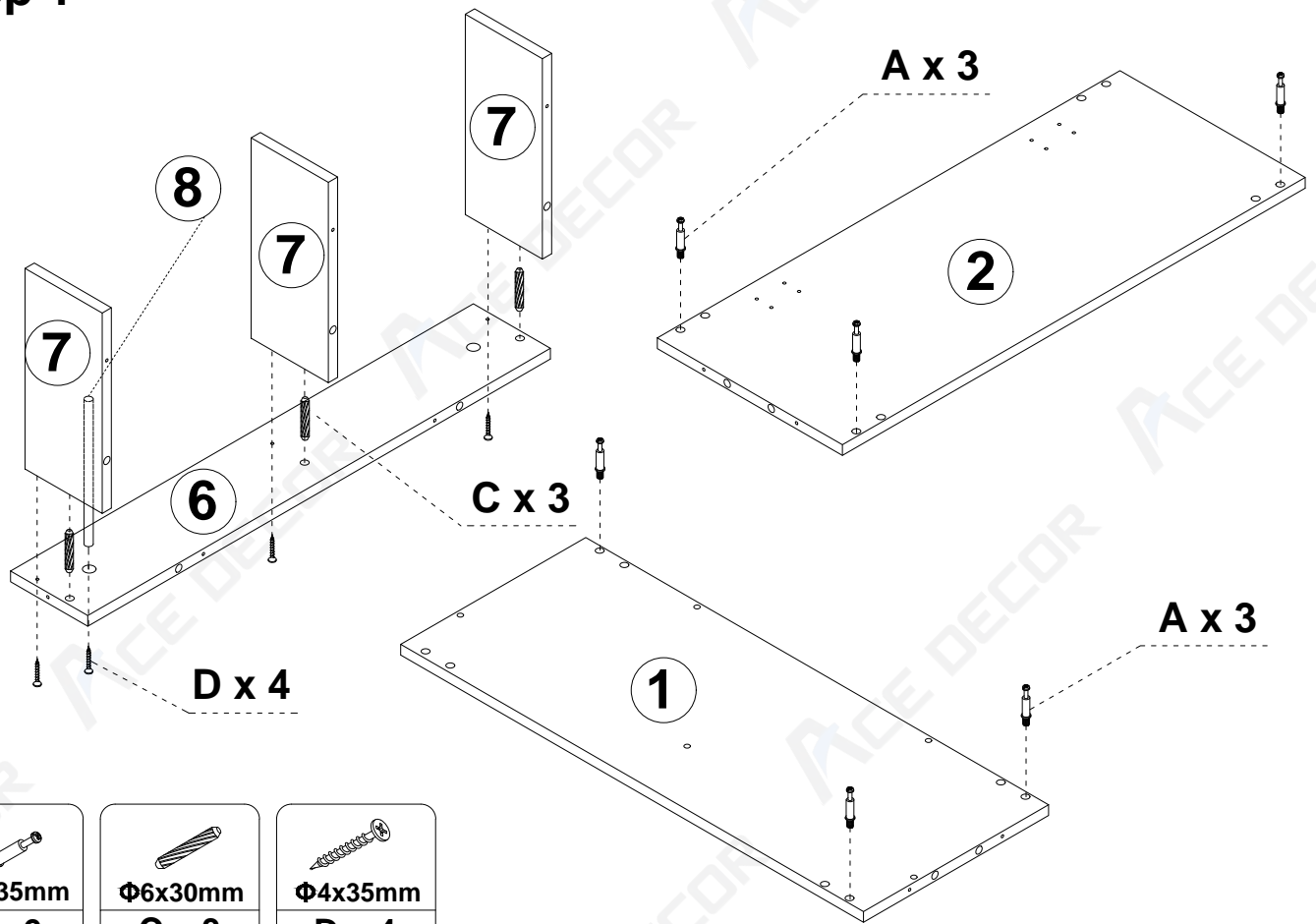




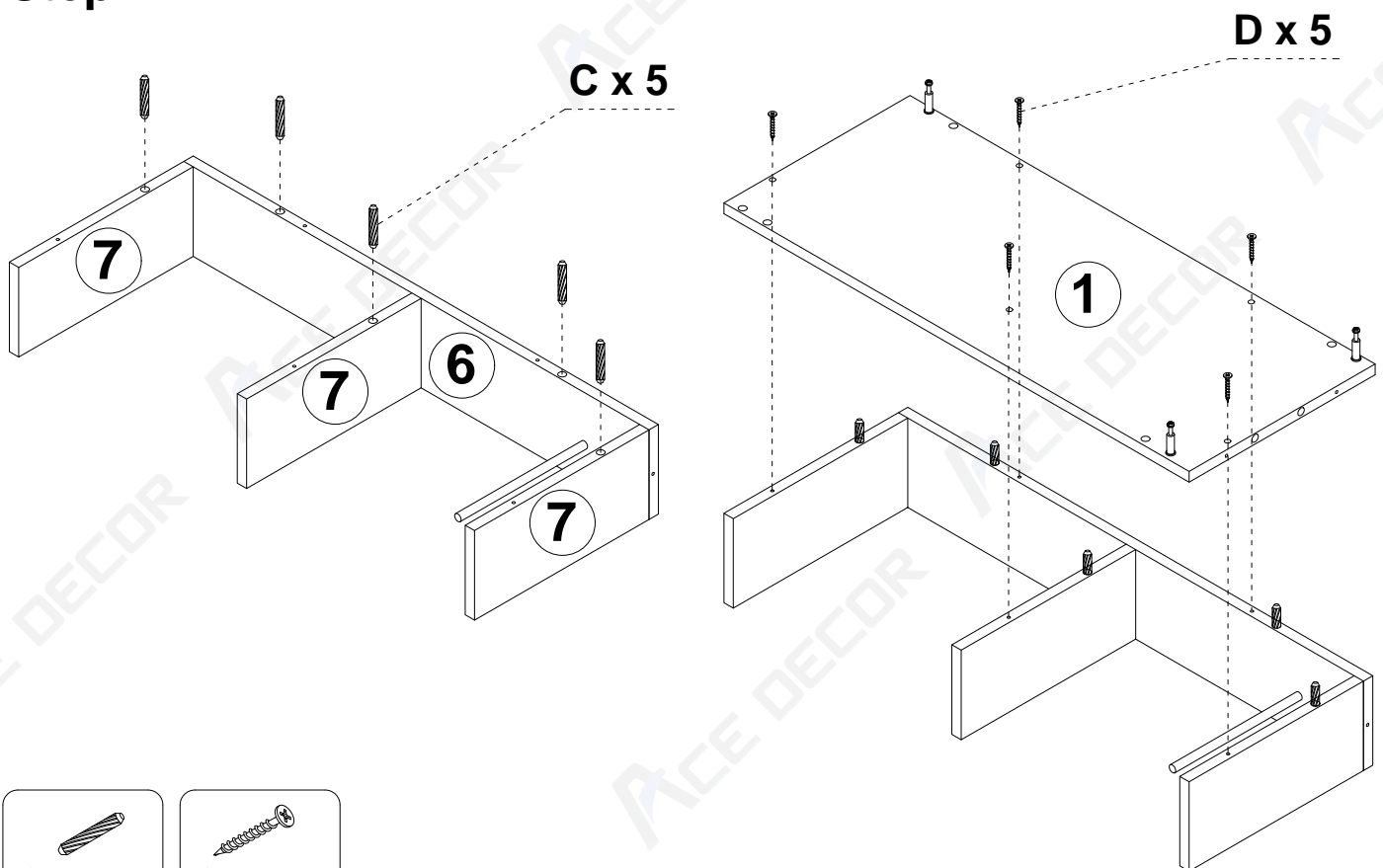
			
① x 1	② x 1	③ x 1	④ x 2
			
⑤ x 1	⑥ x 1	⑦ x 3	⑧ x 1
			
⑨ x 2	⑩ x 2	⑪ x 1	

					
Φ6x35mm A x 20+2	Φ15x10mm B x 20+2	Φ6x30mm C x 18+1	Φ4x35mm D x 14+1	Φ3.5x12mm E x 12+1	F x 2
					
Φ8x40mm G x 2	Φ20 H x 2	Φ6x60mm I x 2	J x 1	K x 4	

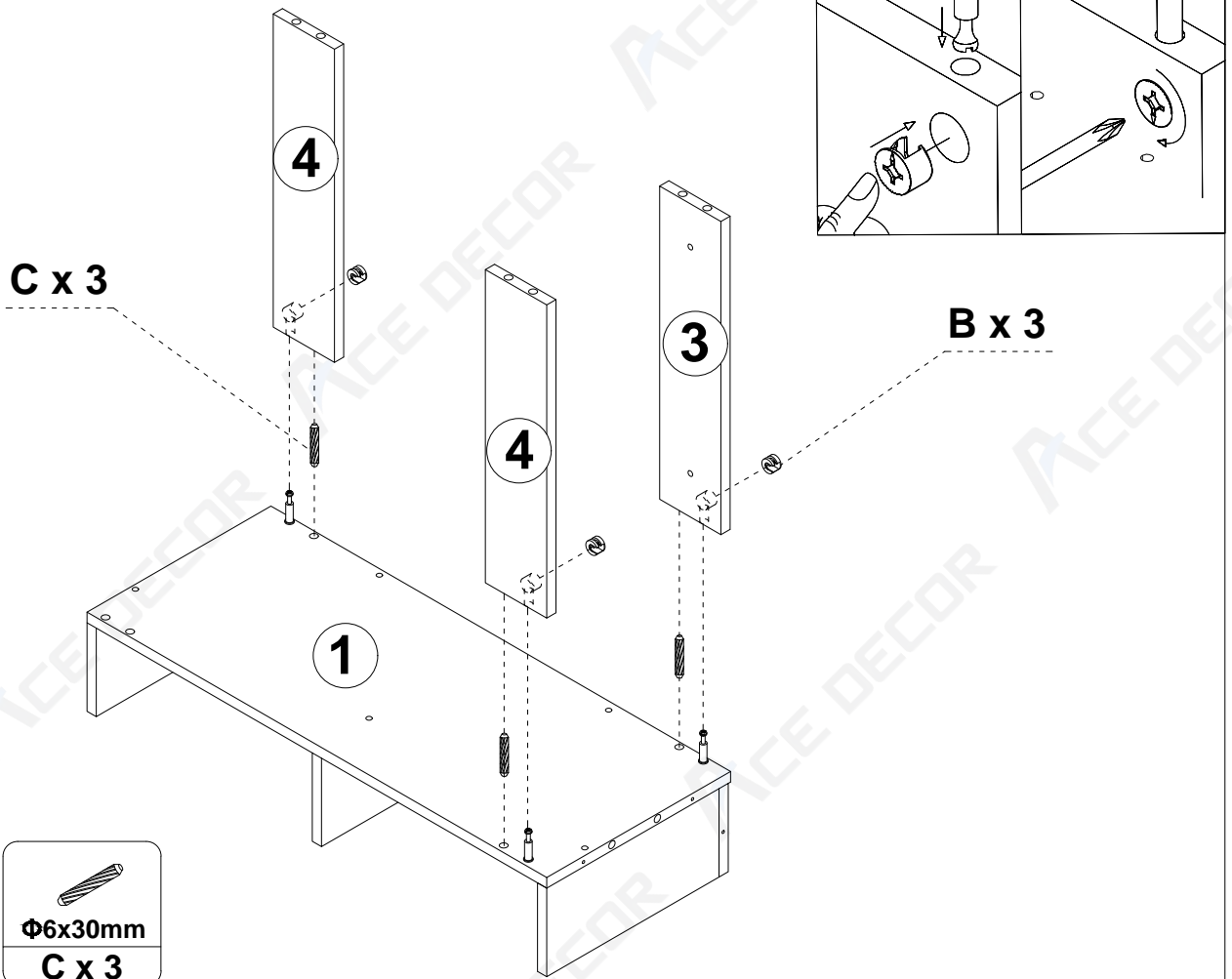
Step 1



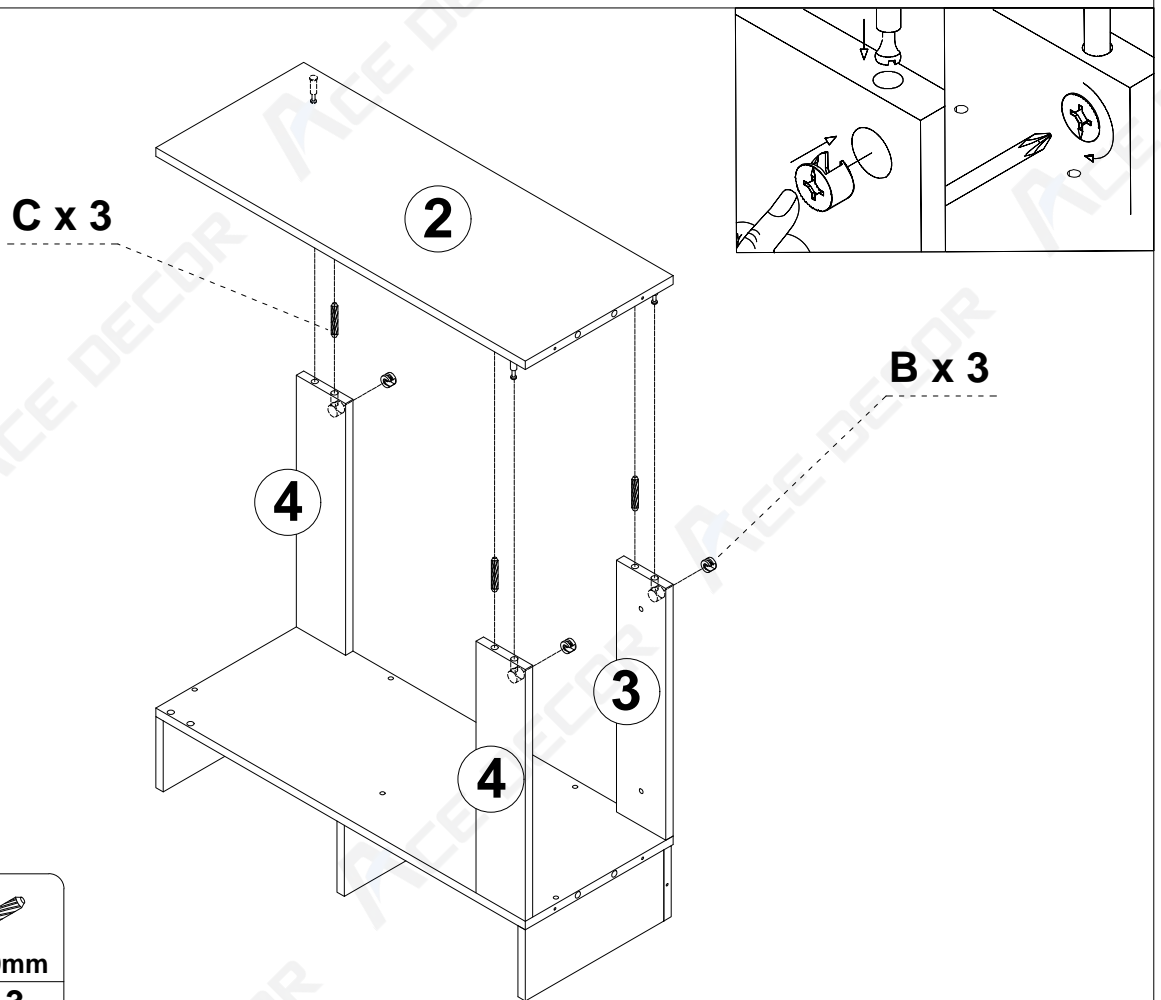
Step 2



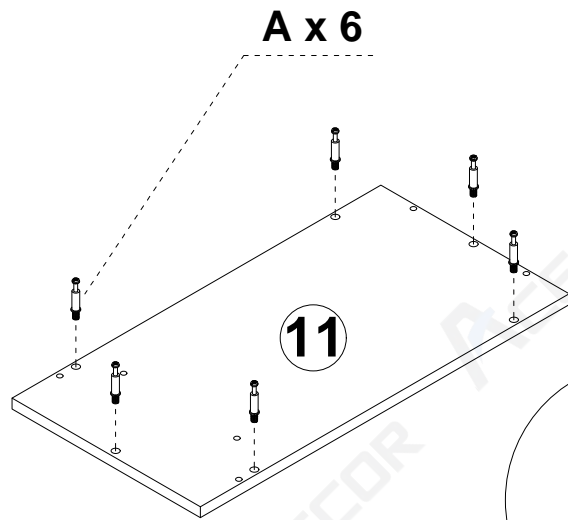
Step 3



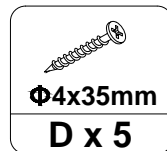
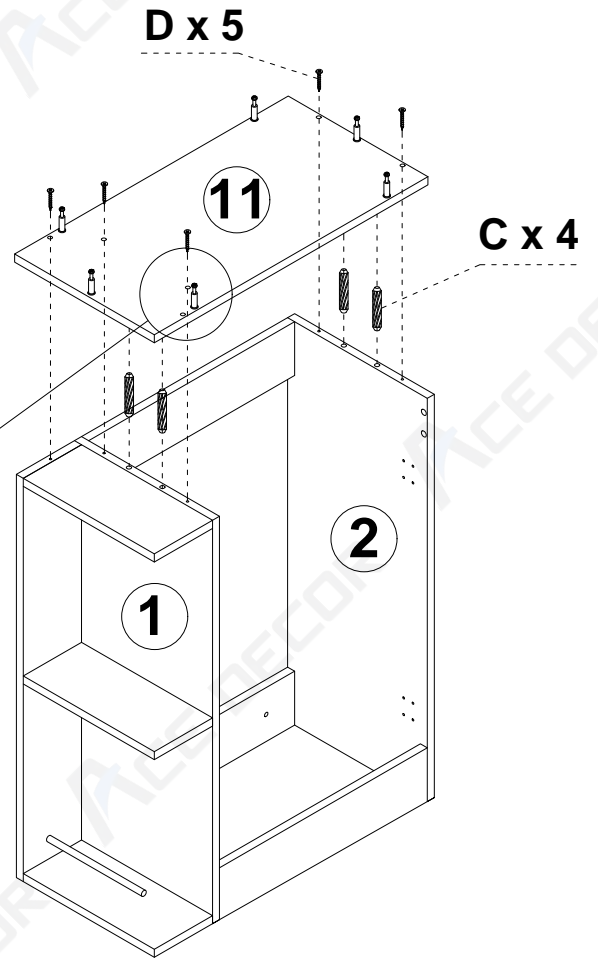
Step 4



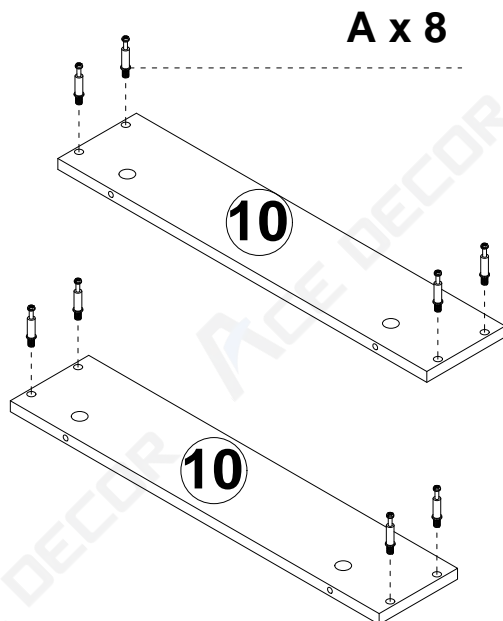
Step 5



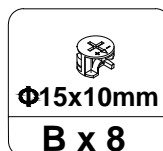
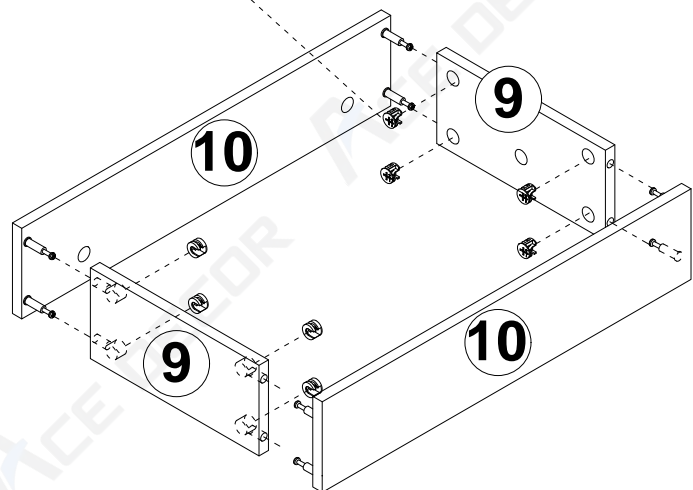
This hole doesn't lock the screws.



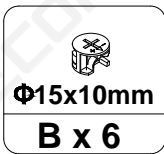
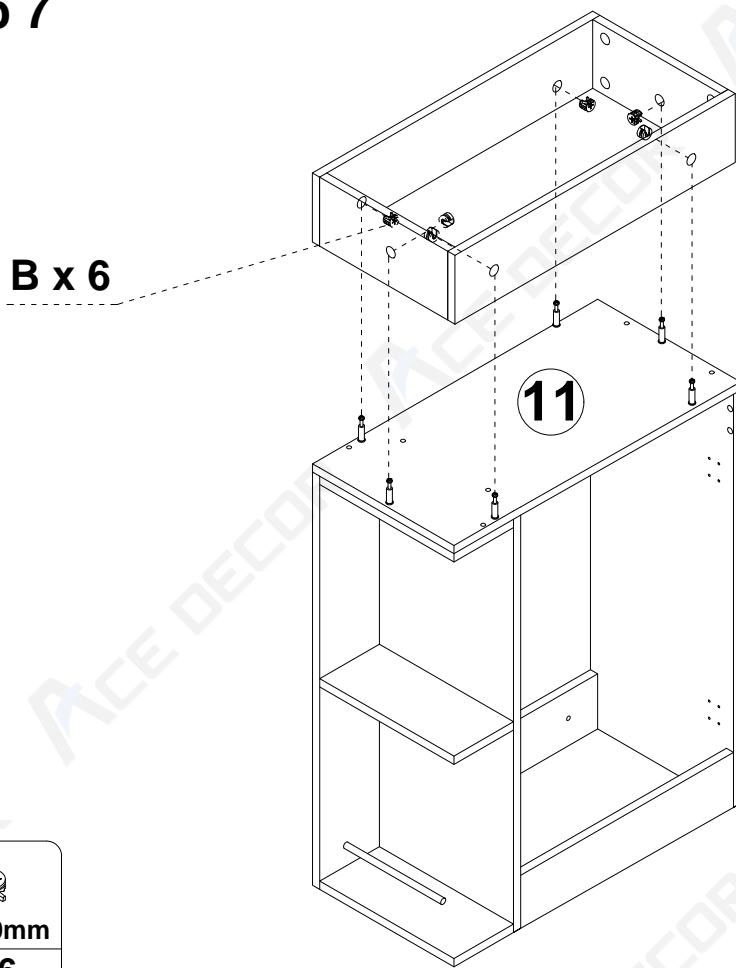
Step 6



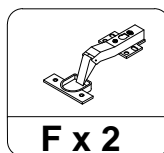
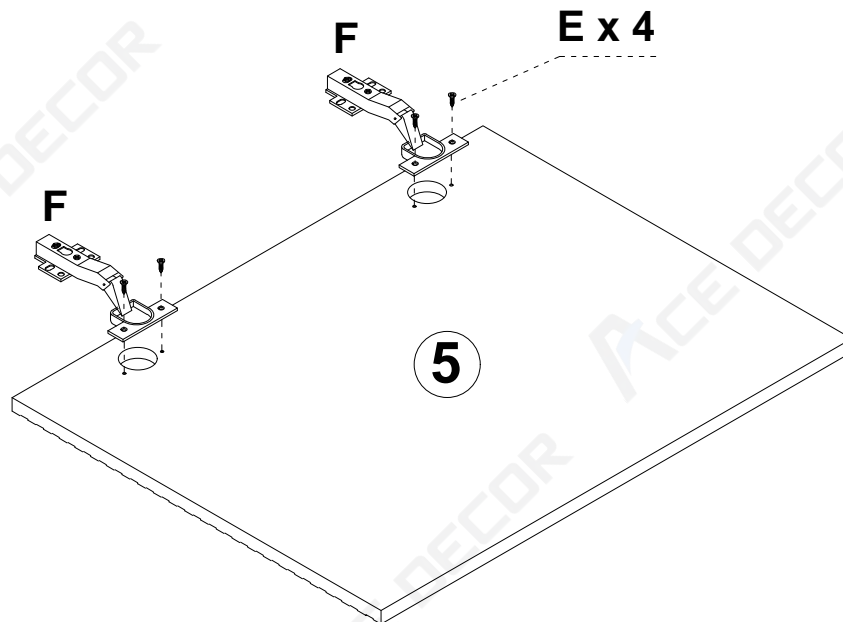
B x 8



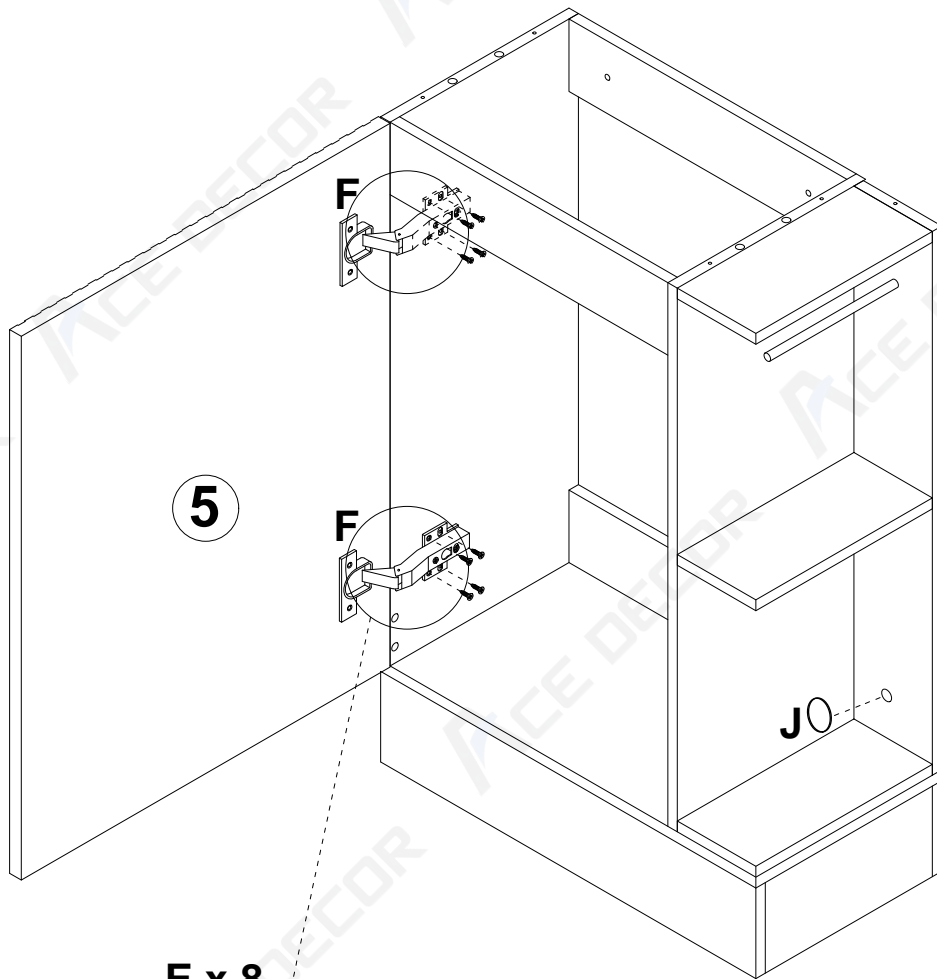
Step 7



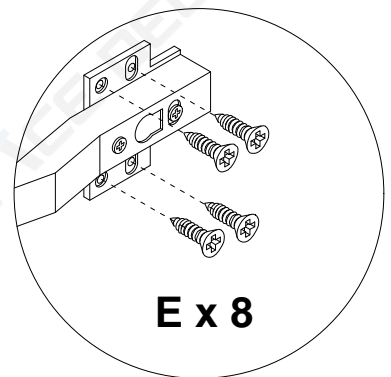
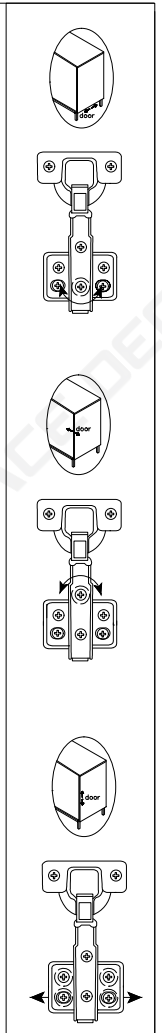
Step 8



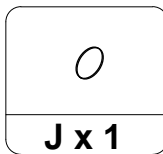
Step 9



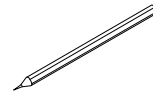
E x 8



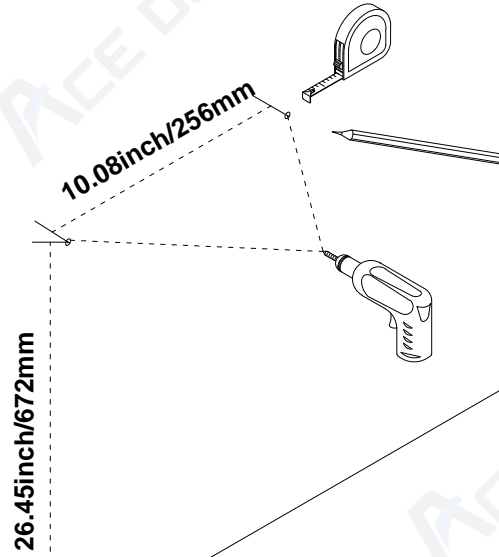
E x 8



Step 10

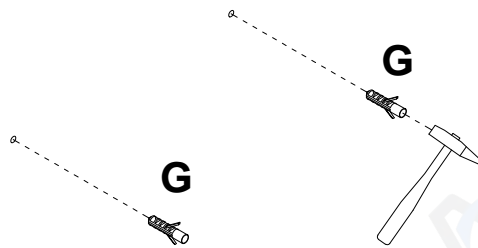


Wall



Step 11

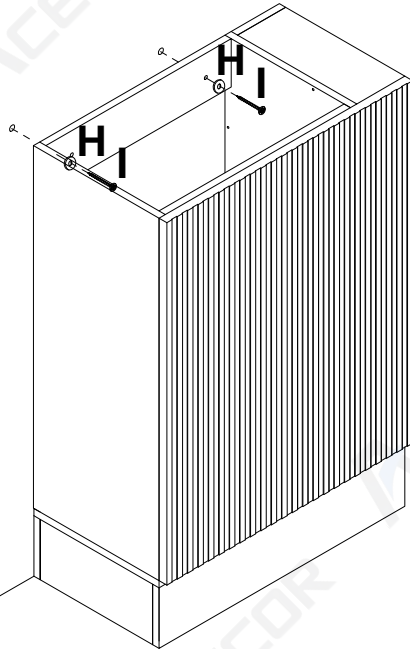
Wall



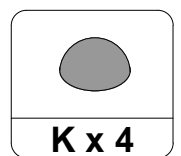
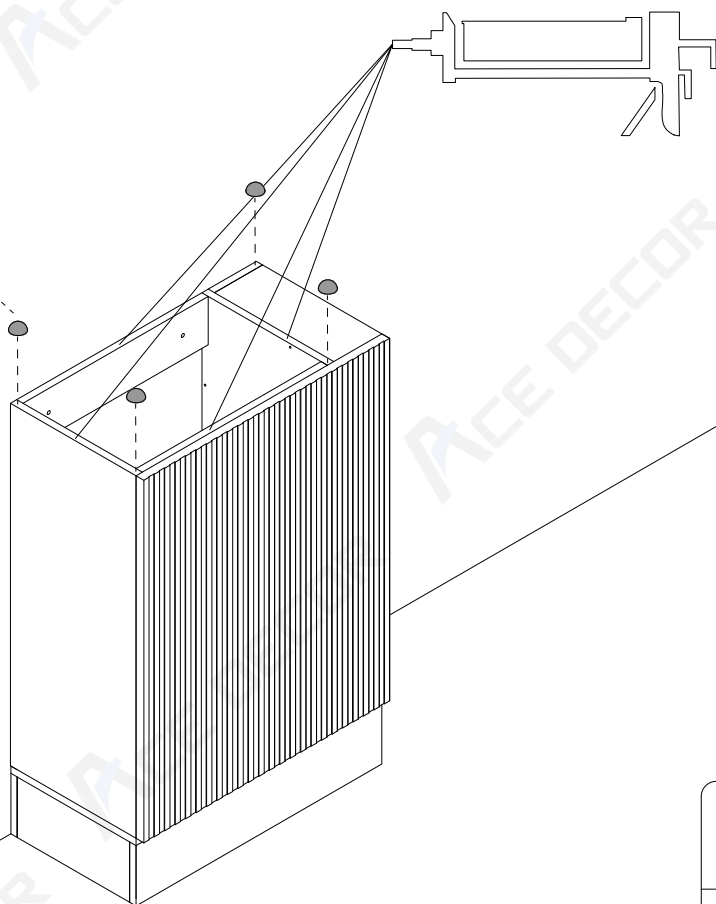
Φ8x40mm

G x 2

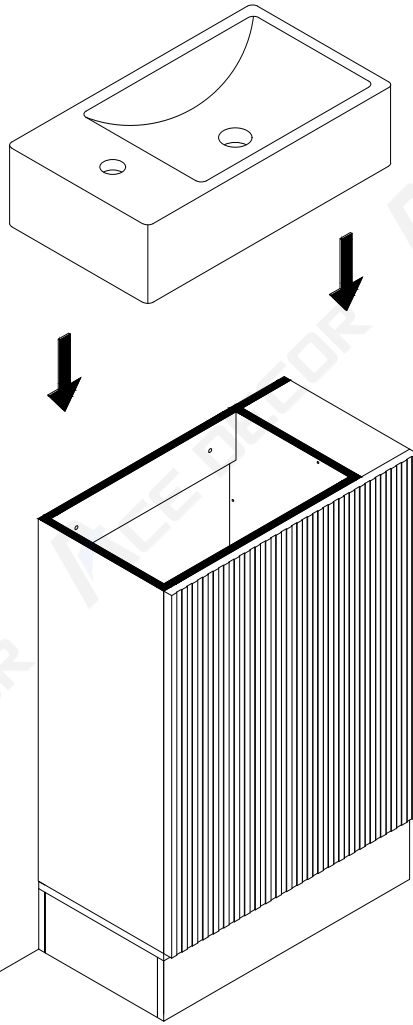
Step 12

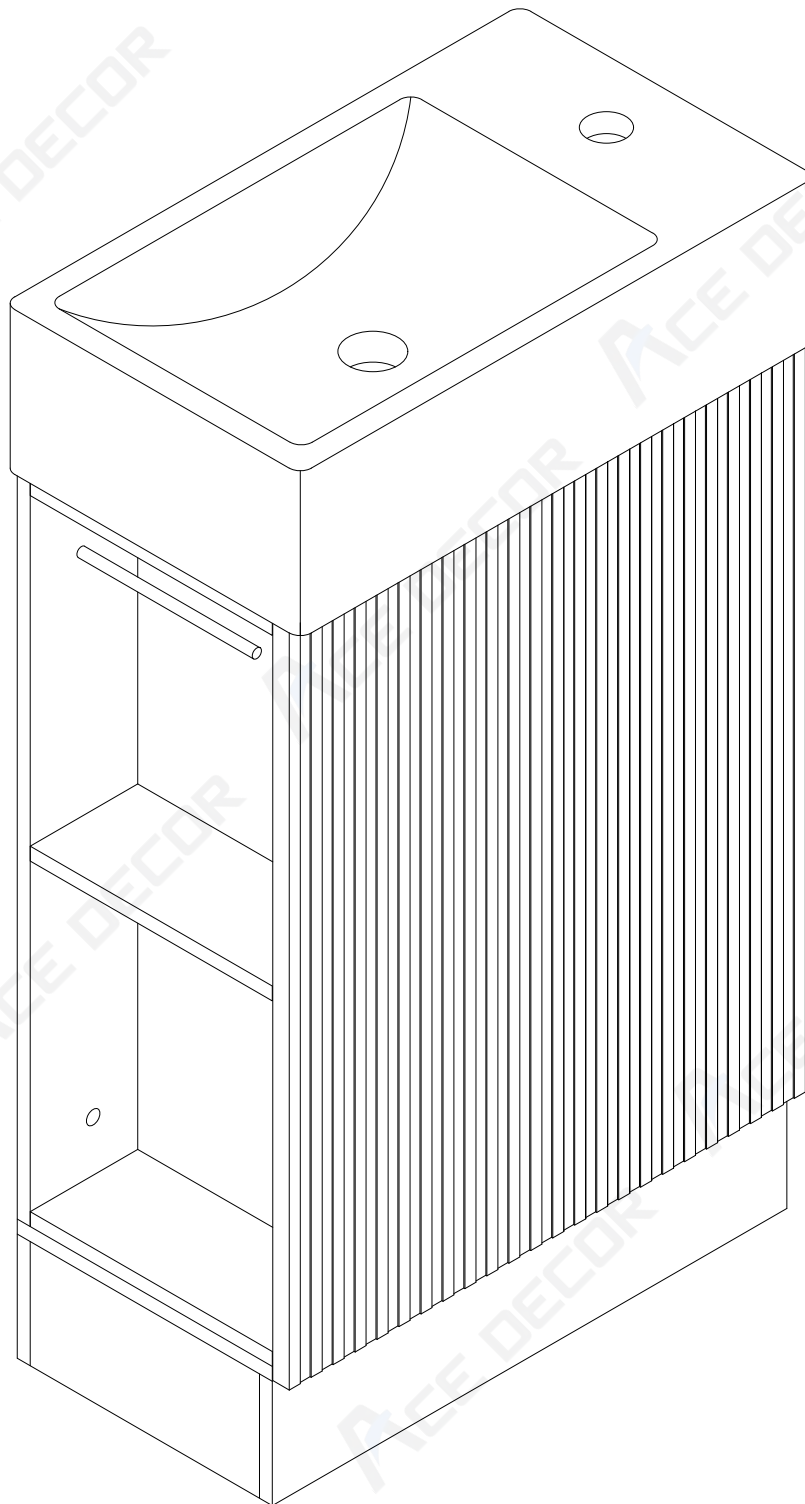


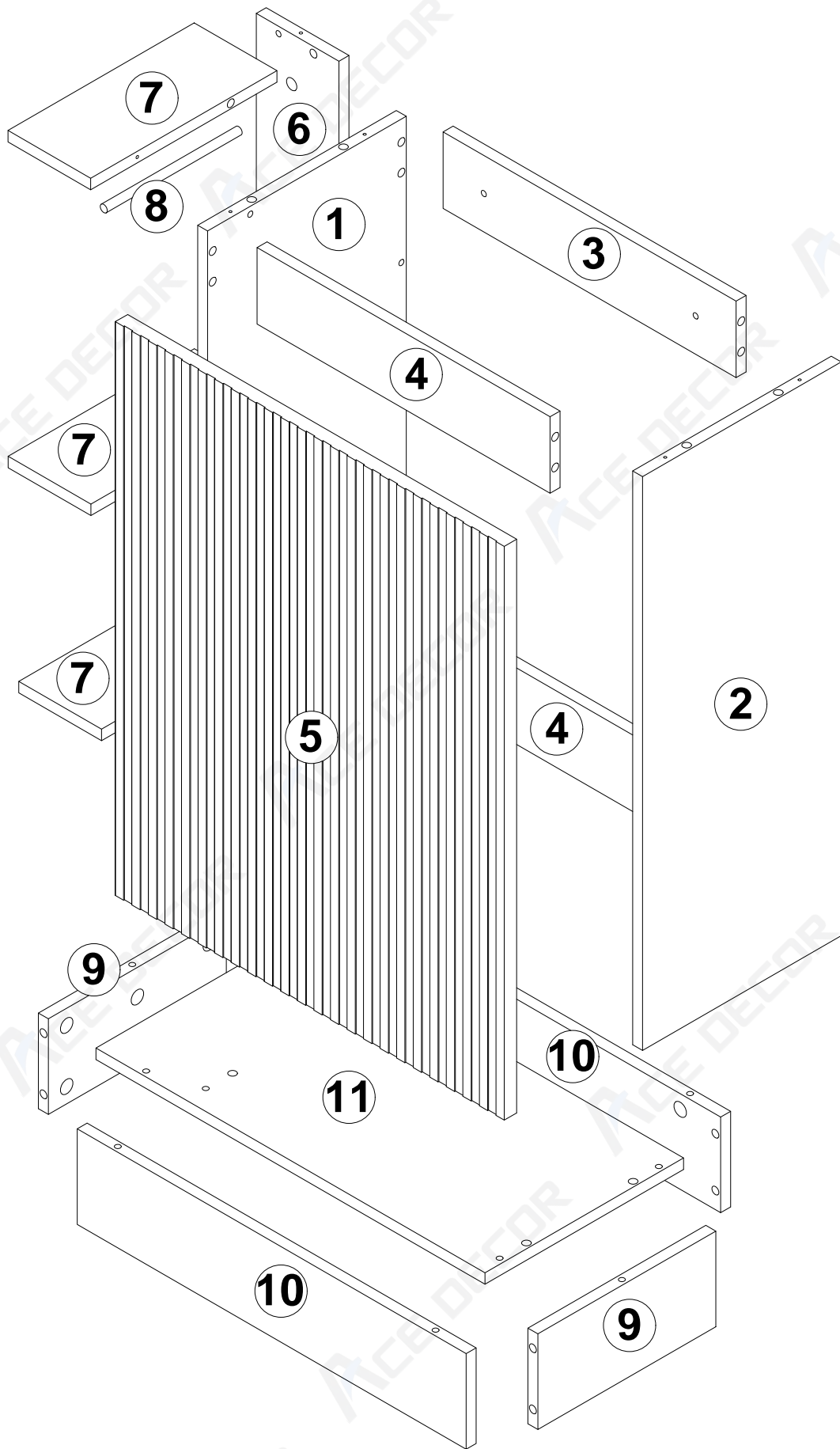
K x 4

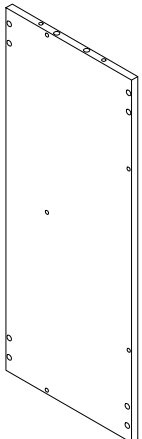
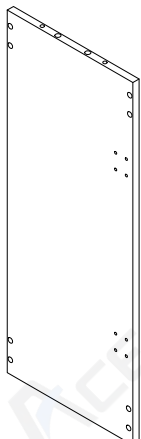
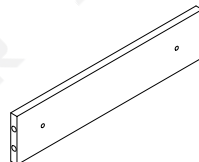
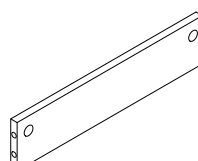
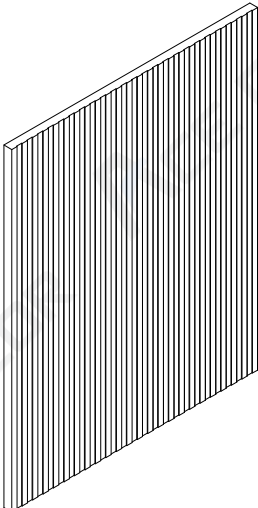
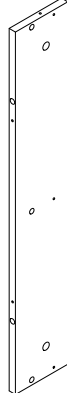
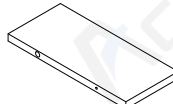
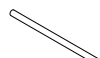
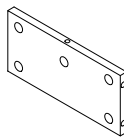
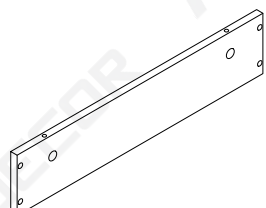
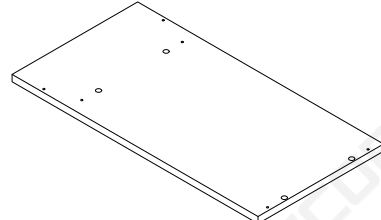


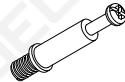
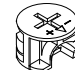



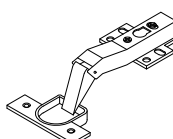
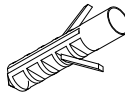

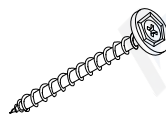

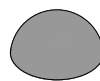
Step 13



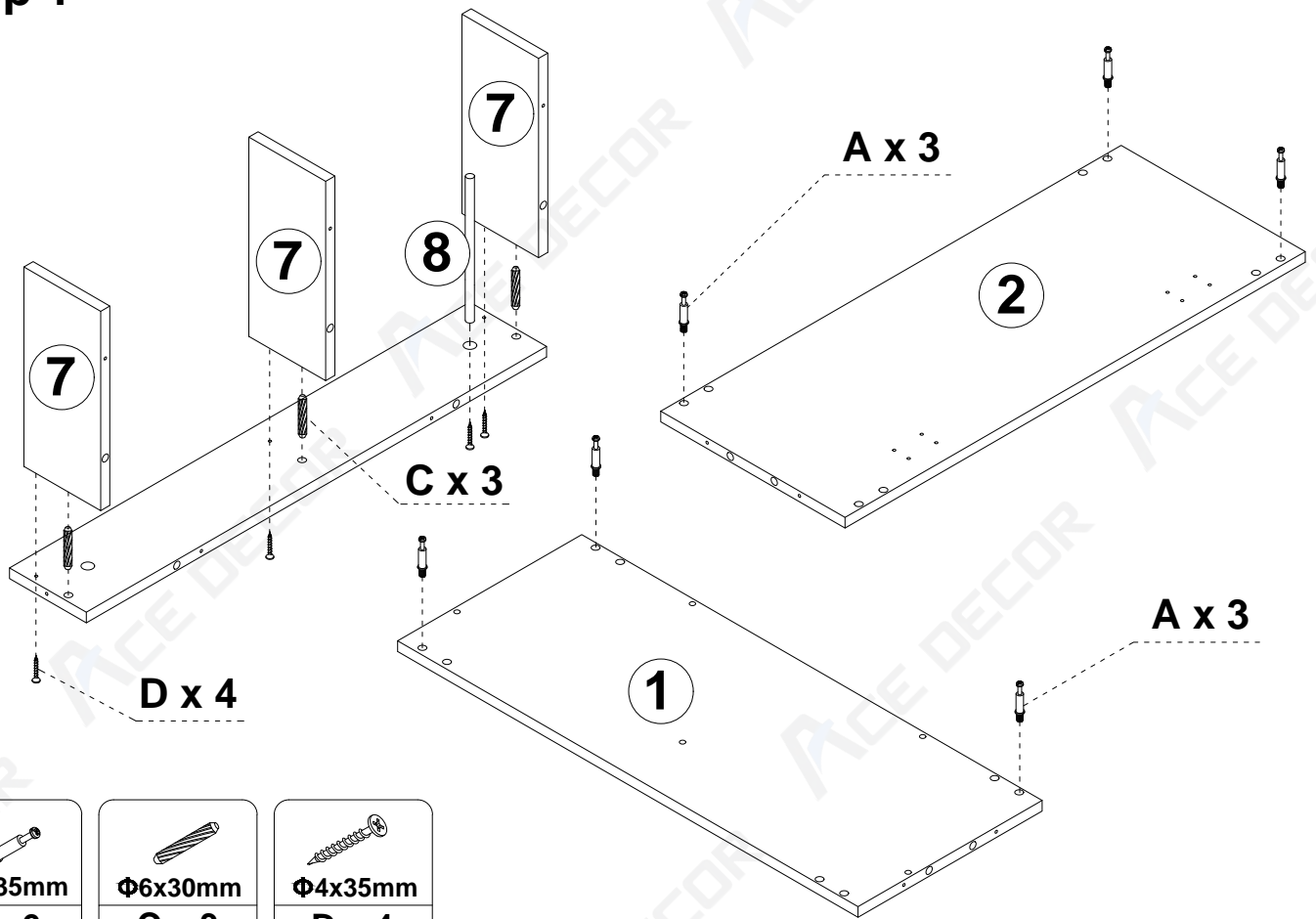




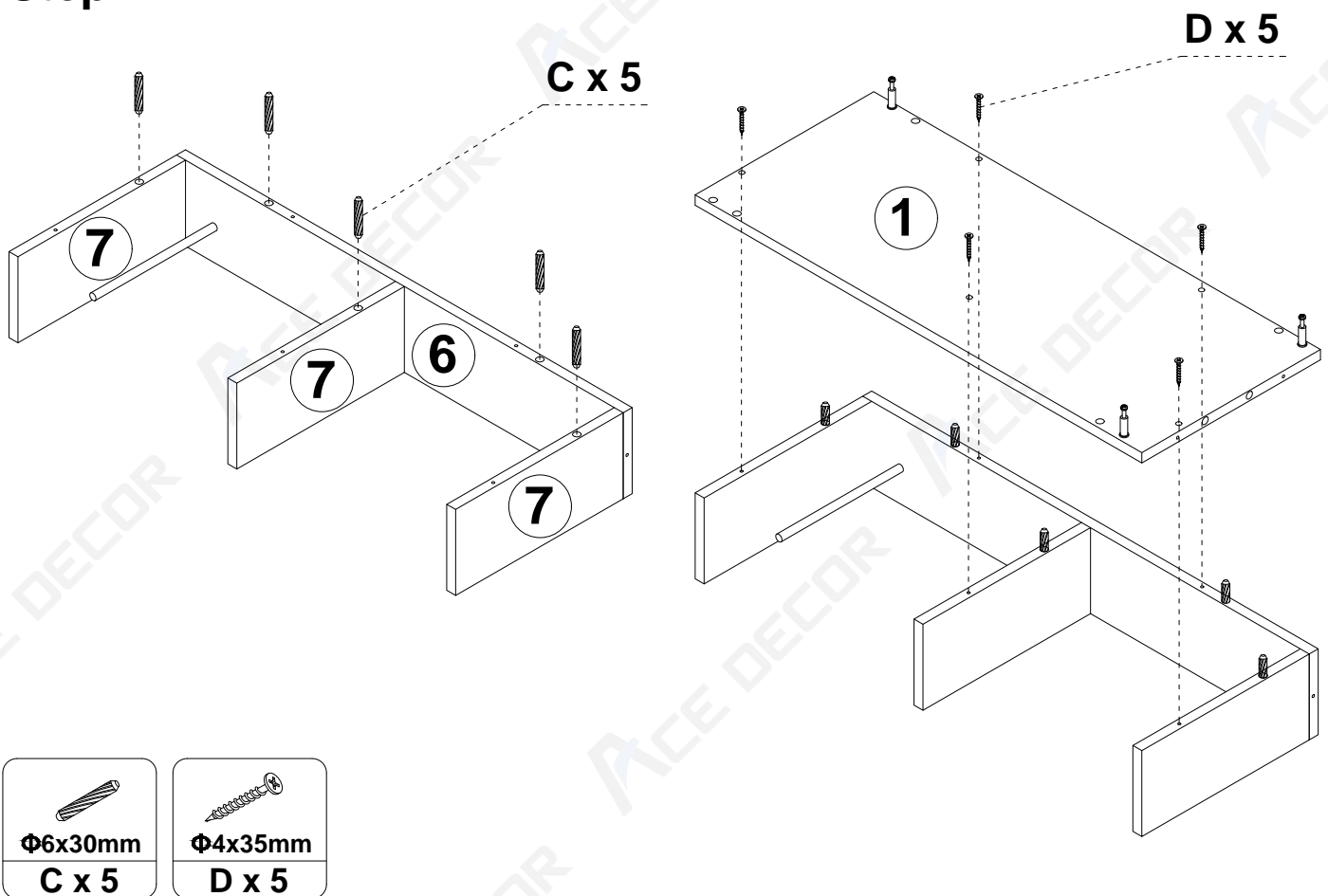
			
① x 1	② x 1	③ x 1	④ x 2
			
⑤ x 1	⑥ x 1	⑦ x 3	⑧ x 1
			
⑨ x 2	⑩ x 2	⑪ x 1	

					
Φ6x35mm A x 20+2	Φ15x10mm B x 20+2	Φ6x30mm C x 18+1	Φ4x35mm D x 14+1	Φ3.5x12mm E x 12+1	F x 2
					
Φ8x40mm G x 2	Φ20 H x 2	Φ6x60mm I x 2	J x 1	K x 4	

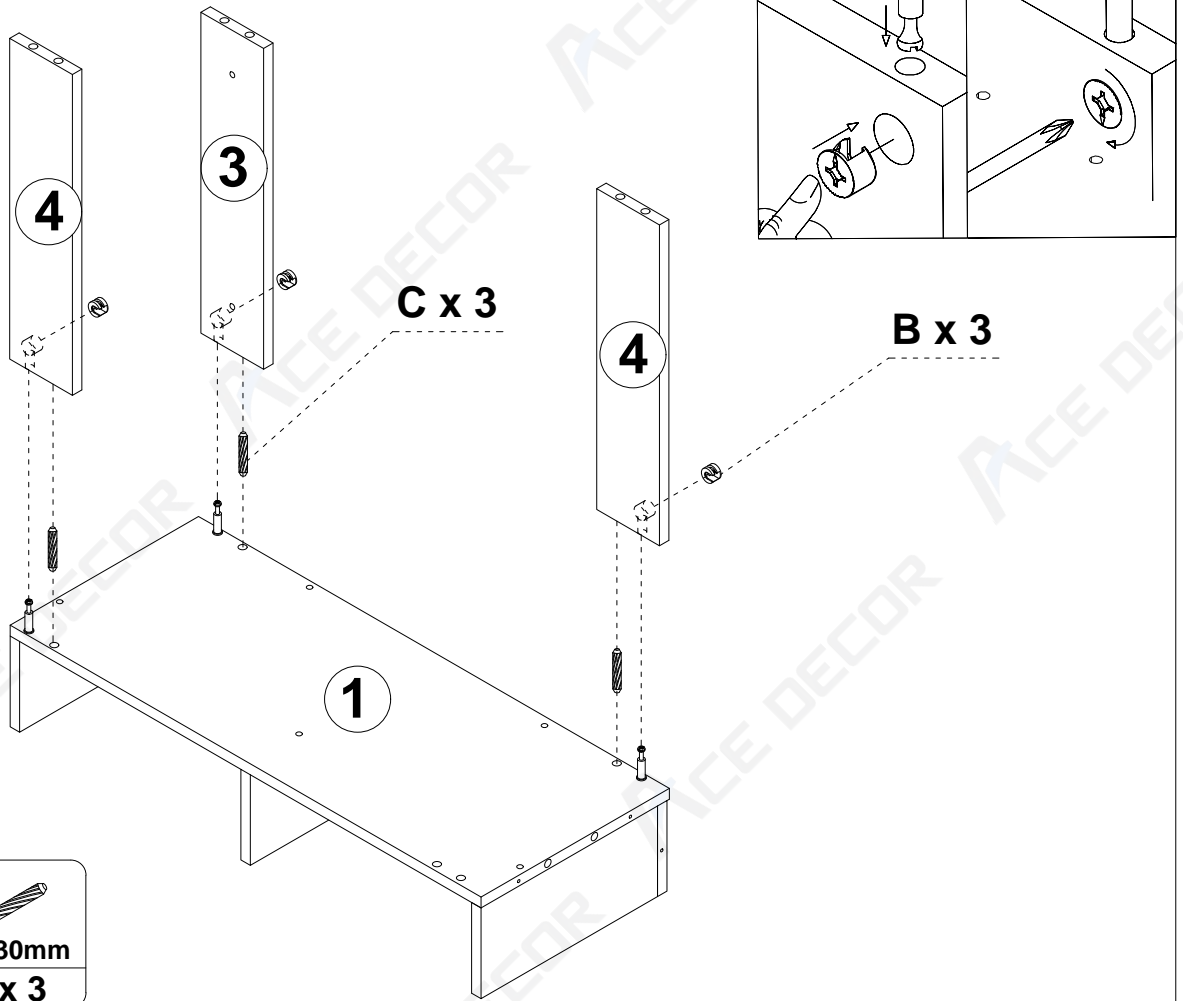
Step 1



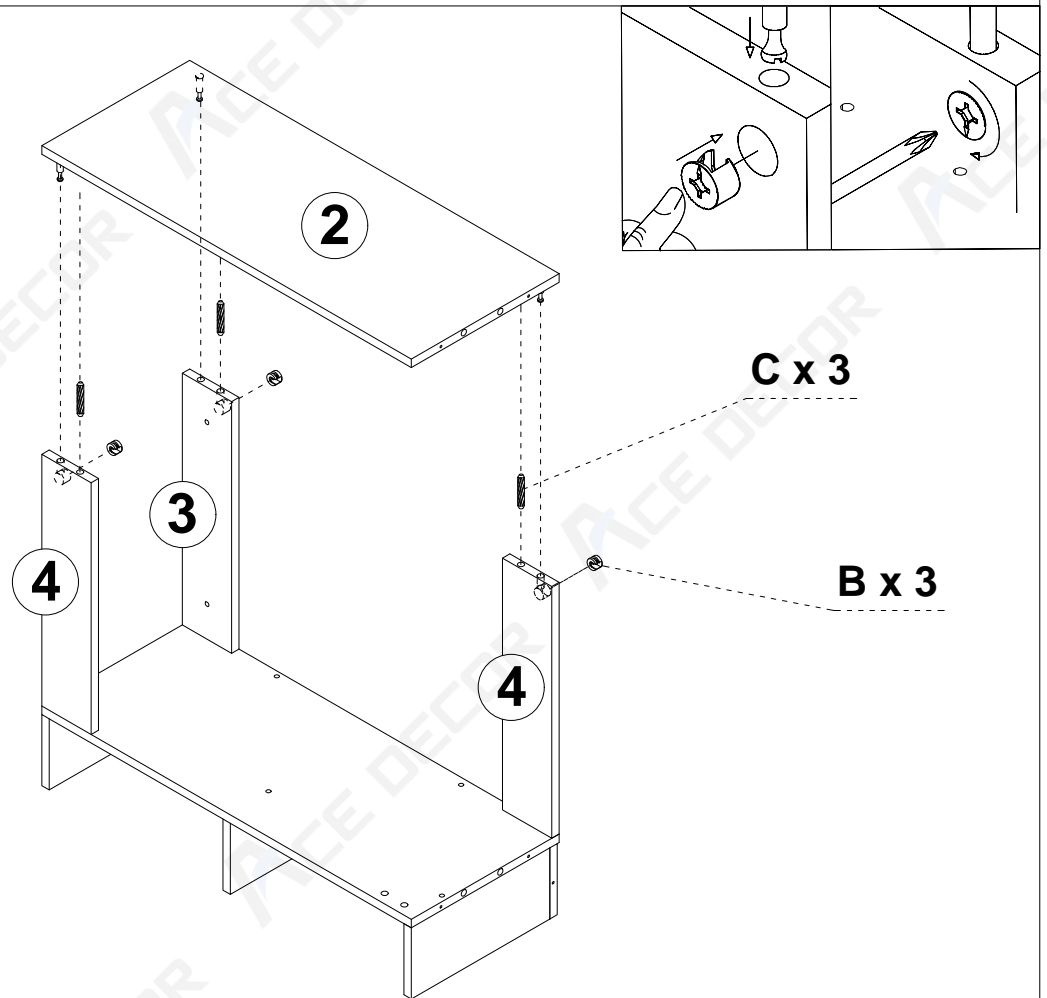
Step 2



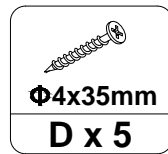
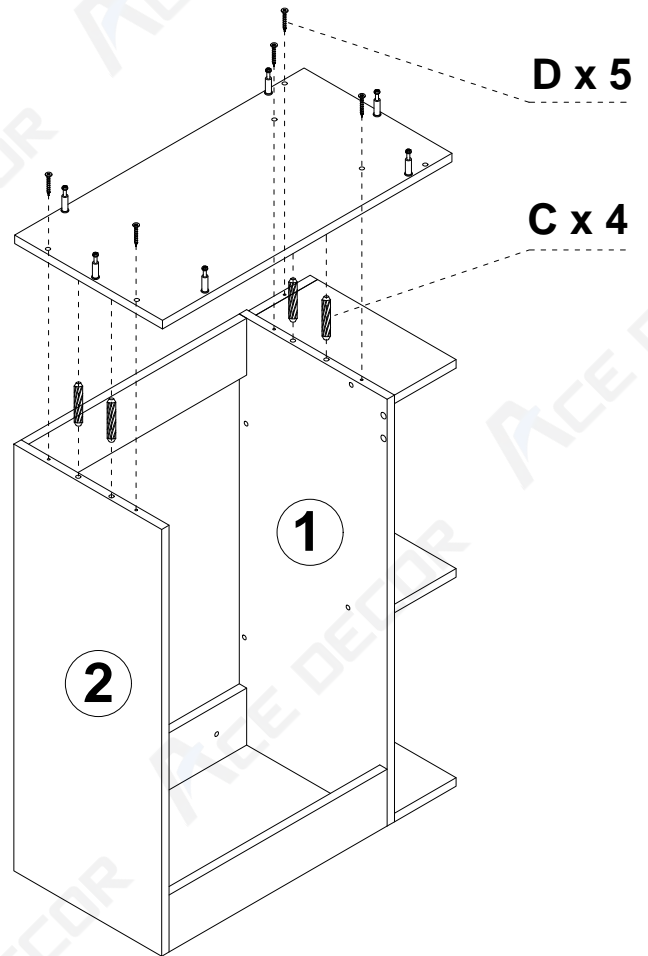
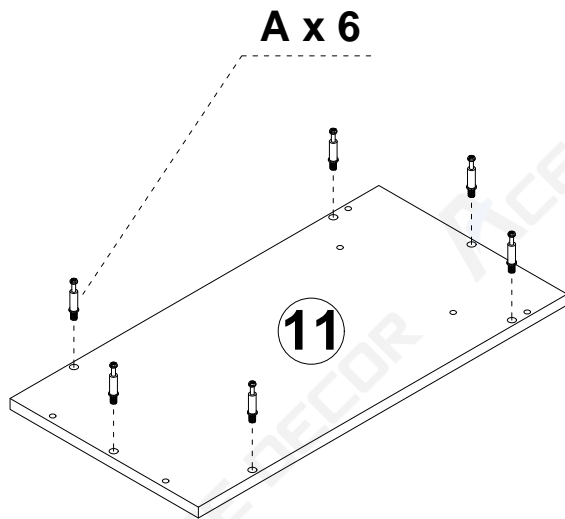
Step 3



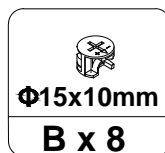
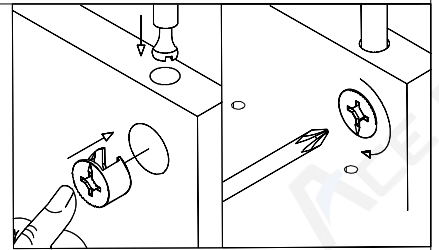
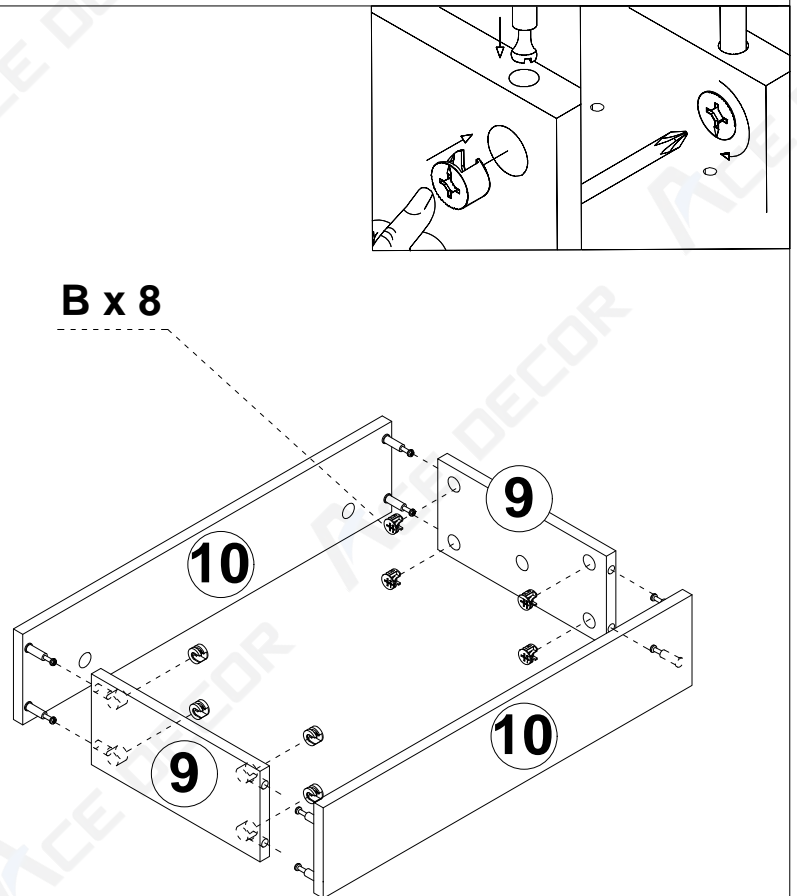
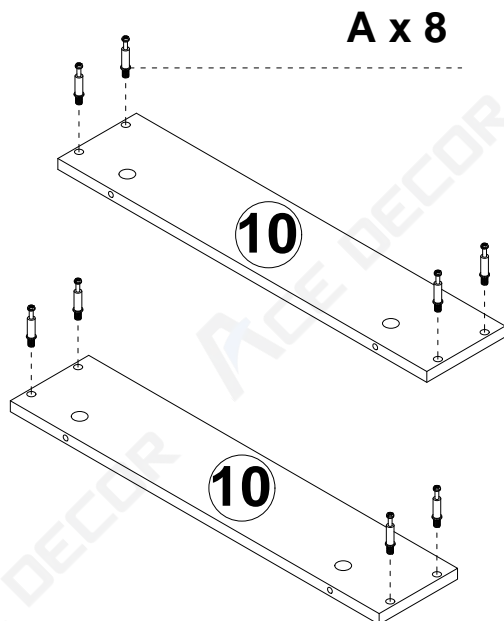
Step 4



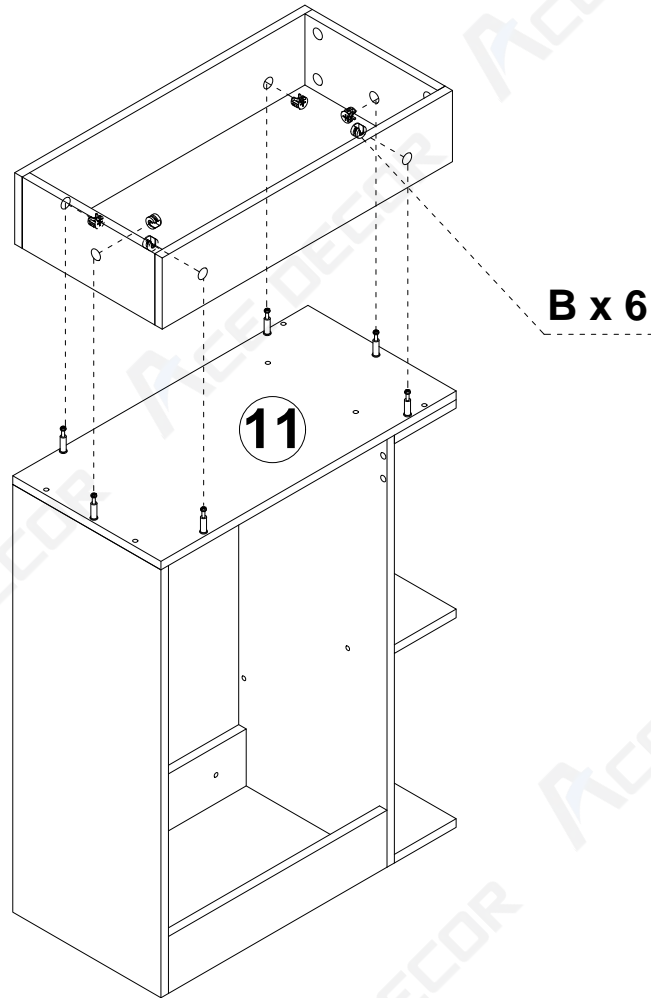
Step 5



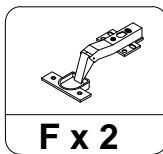
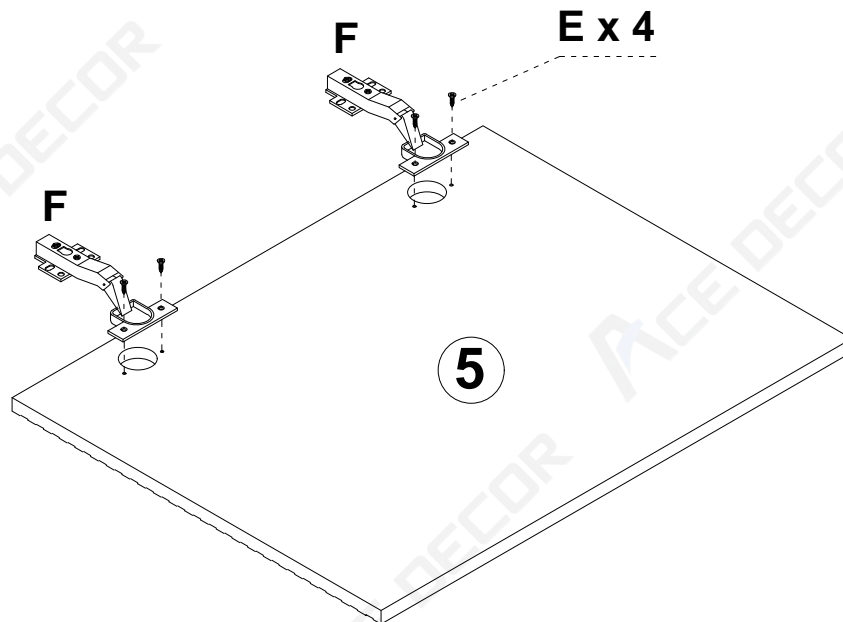
Step 6



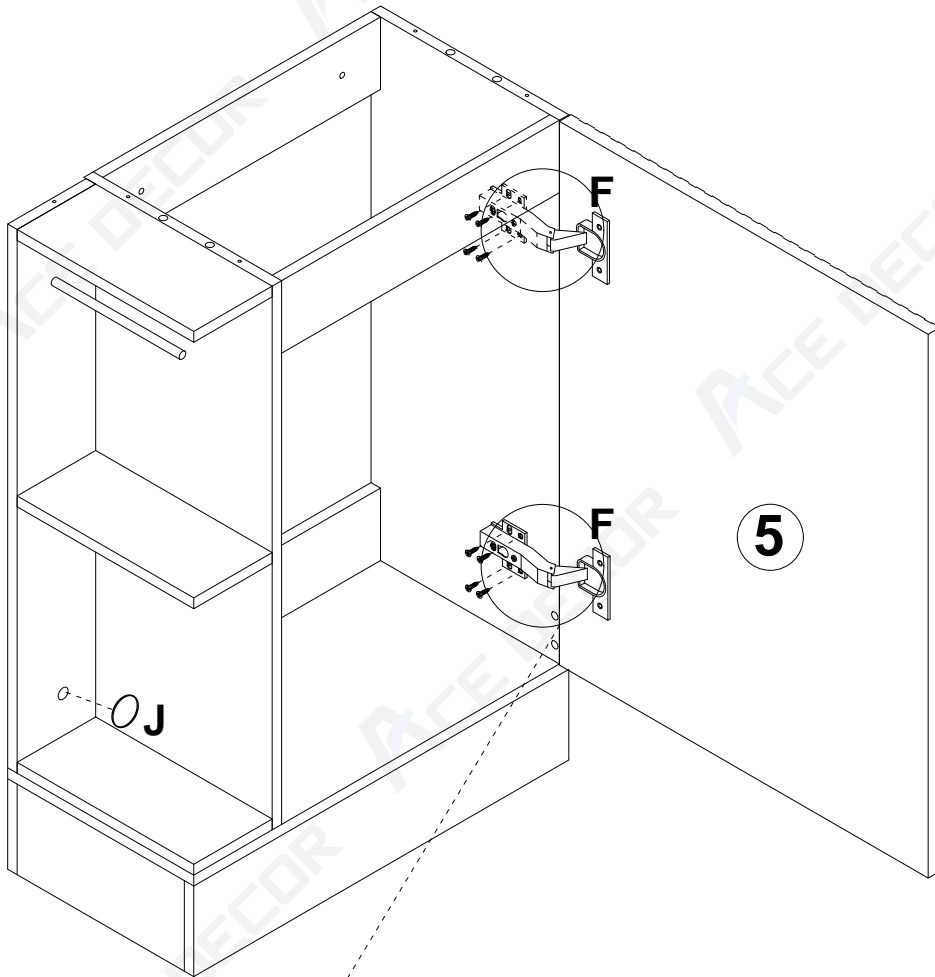
Step 7



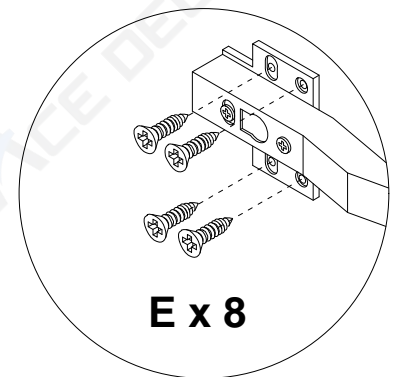
Step 8



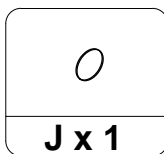
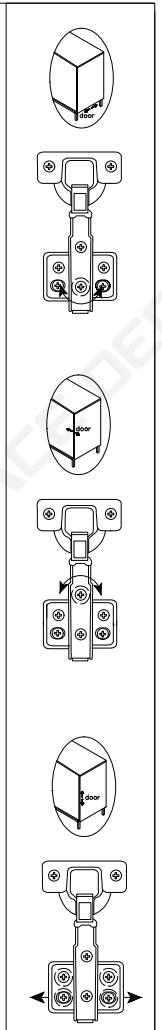
Step 9



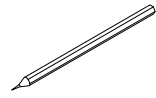
E x 8



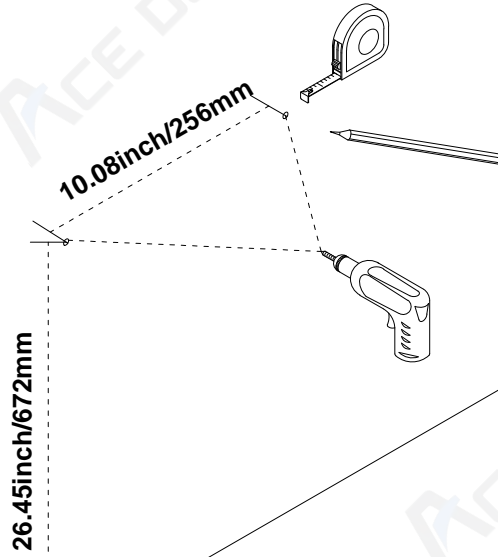
E x 8



Step 10

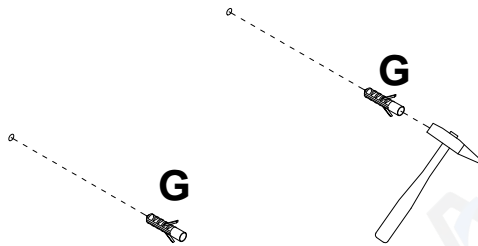


Wall



Step 11

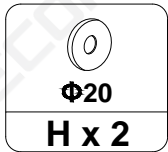
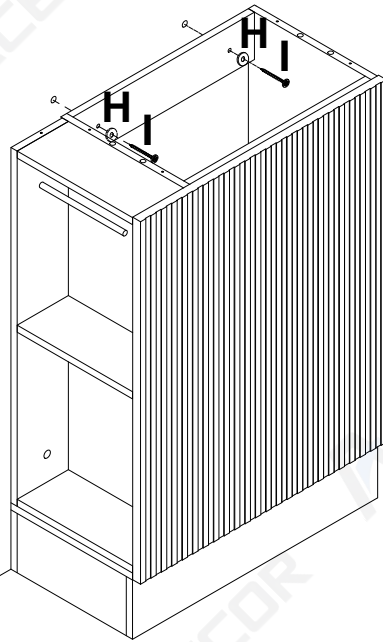
Wall



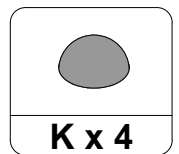
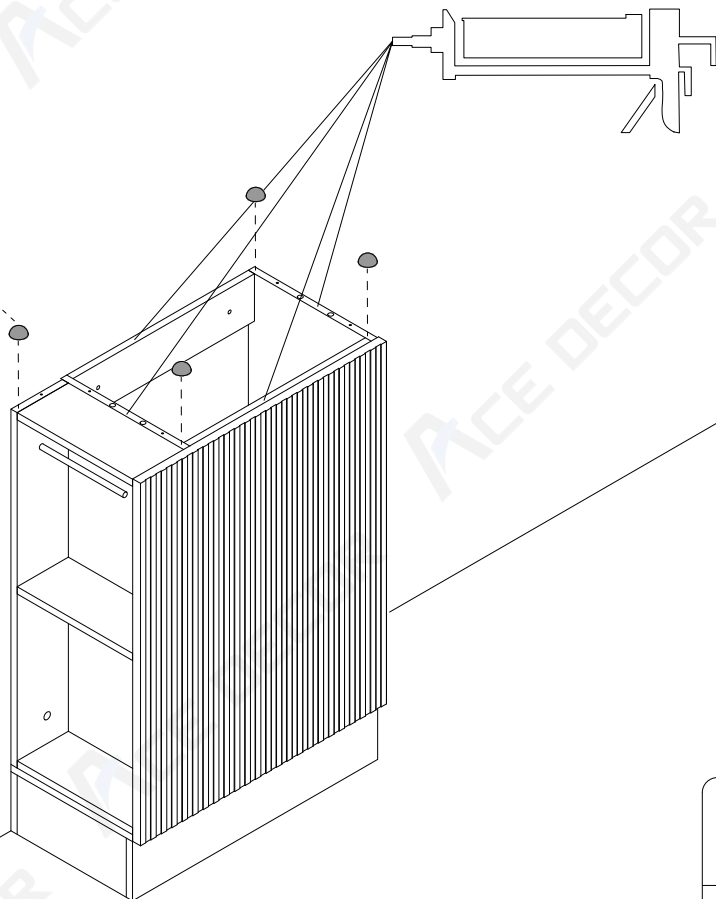
Φ8x40mm

G x 2

Step 12



K x 4



Step 13

