

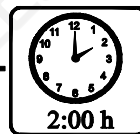
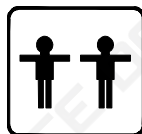
ASSEMBLY INSTRUCTIONS

30INCH BATHROOM VANITY (COMBO)

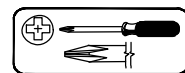


Thank you for purchasing this quality product. Be sure to check all packing material carefully for small parts which may have come loose inside the carton during shipment. Separate, identify and count all parts and hardware. Compare with the parts list to be sure all parts are present.
"DO NOT TIGHTEN SCREWS UNTIL COMPLETELY ASSEMBLED"

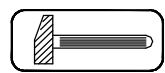
*** Use of power tool to assemble this product will invalidate any claim and damage this product making unsafe !!!**
*** Please assemble on a clean soft surface to avoid damage.**



Tools Required



(Not included)



(Not included)

IMPORTANT:

PLEASE READ INSTRUCTION BEFORE STARTING THE ASSEMBLY

Thank you for buying our products.

Please read the installation manual carefully before installation,

we need you to follow the instructions on the accessories and hardware

step by step assembly complete, our instructions are very detailed.

Products are environmentally friendly products,

Please rest assured that you do not soak in water, do not place very heavy items,

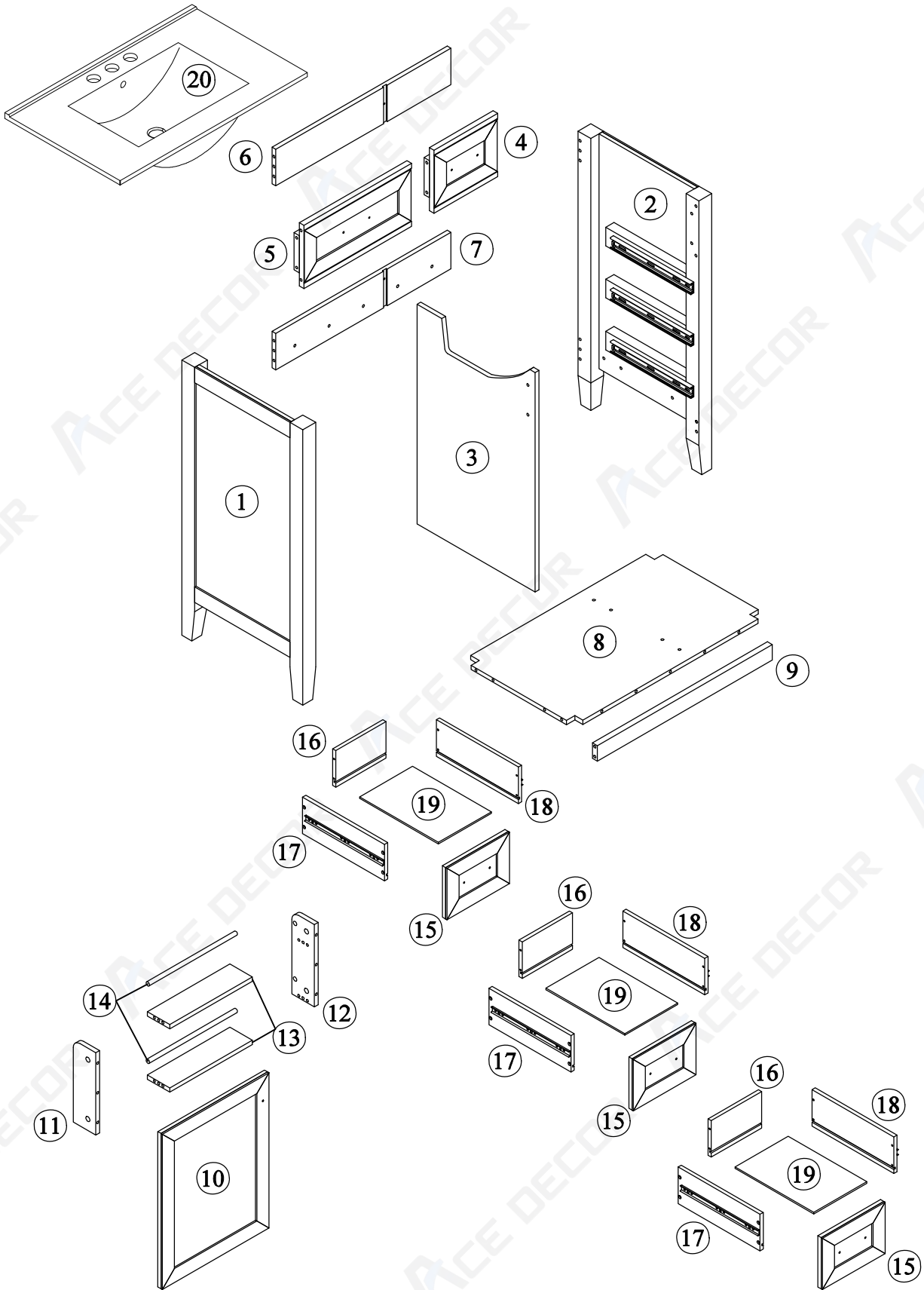
do not malicious push and pull,

if you have any problems in the process of assembly and use, please contact us.

Thank you again for your purchase of our products,

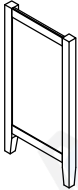
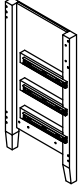

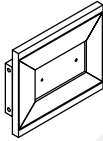
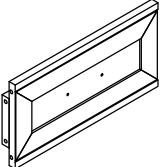
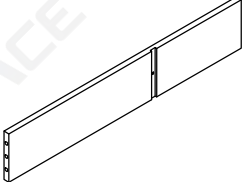
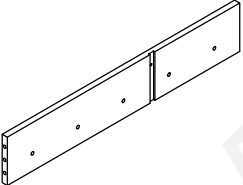
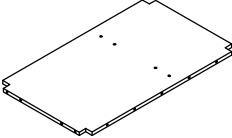
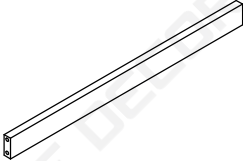
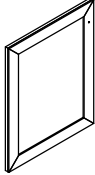


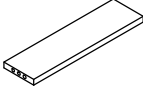

I wish you a happy life.

Detail View - CABINET

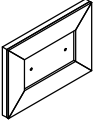
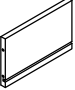
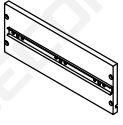
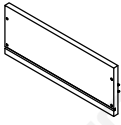
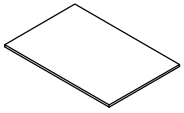
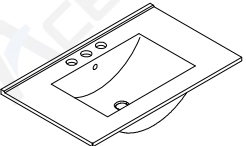


Identifying the Hardware-Identify the hardware using the illustrations below.




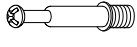


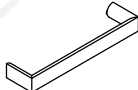
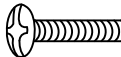
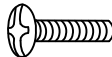



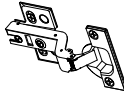
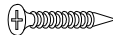


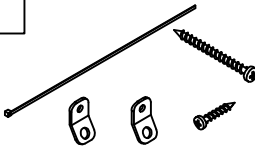
Part List - N725P246482

<p>1</p>	 <p>Side Panel (L) - 1pc</p>	<p>2</p>	 <p>Side Panel (R) - 1pc</p>
<p>3</p>	 <p>Mid Panel - 1pc</p>	<p>4</p>	 <p>Drawer Fake (R) - 1pc</p>
<p>5</p>	 <p>Drawer Fake (L) - 1pc</p>	<p>6</p>	 <p>Top Panel Rear - 1pc</p>
<p>7</p>	 <p>Bottom Panel Rear - 1pc</p>	<p>8</p>	 <p>Bottom Panel - 1pc</p>
<p>9</p>	 <p>Bottom Crossbar Front - 1pc</p>	<p>10</p>	 <p>Cabinet Door - 1pc</p>
<p>11</p>	 <p>Door Side Panel (L) - 1pc</p>	<p>12</p>	 <p>Door Side Panel (R) - 1pc</p>
<p>13</p>	 <p>Door Mid Panel - 2pcs</p>	<p>14</p>	 <p>Round Bar - 2pcs</p>

Part List - N725P246482

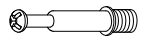
15  Drawer Face - 3pcs	16  Drawer Back Panel - 3pcs
17  Drawer Side Panel (L) - 3pcs	18  Drawer Side Panel (R) - 3pcs
19  Bottom Drawer Panel - 3pcs	20  Sink - 1pc

Hardware List - N725P246482

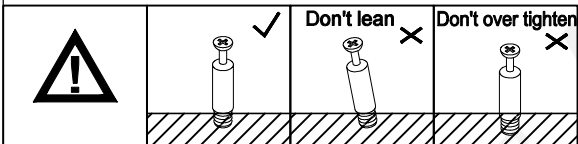
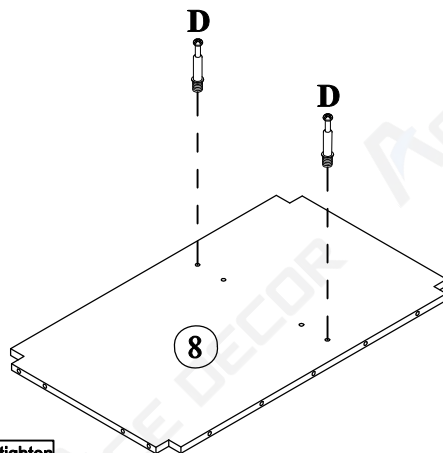
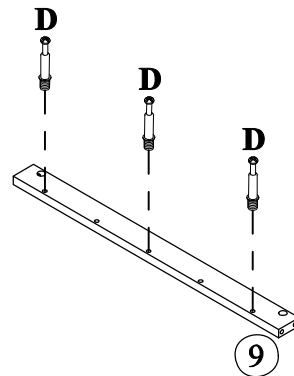
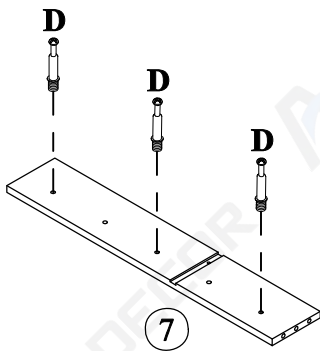
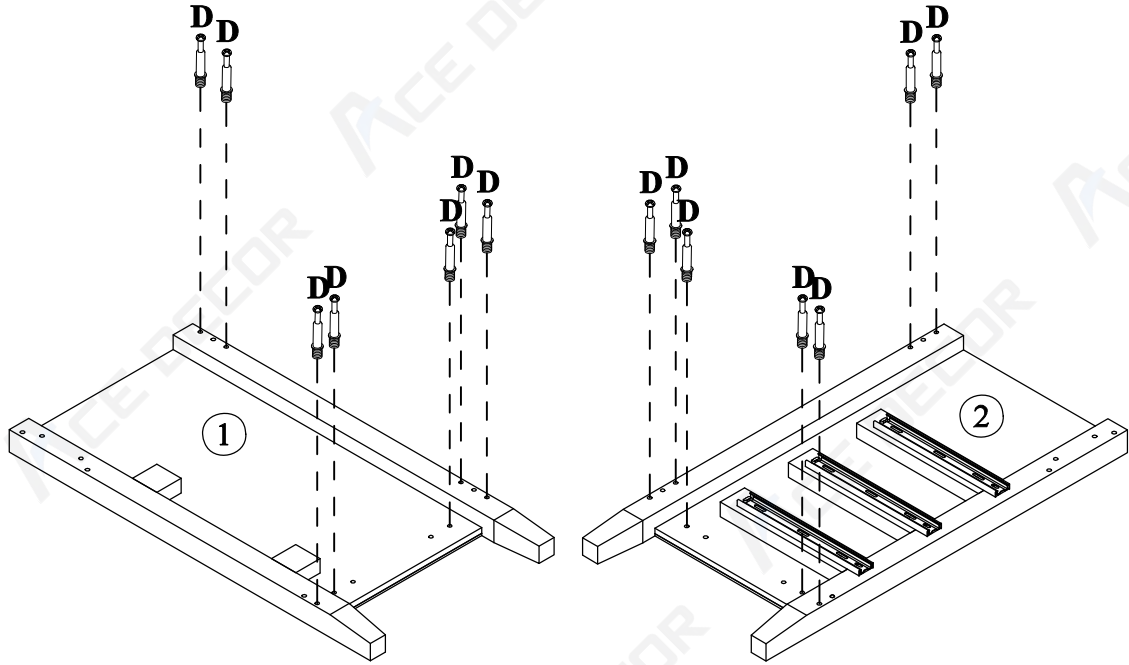
<p>A</p>  <p>$\varnothing 13 \times 1/4" \times 28 \text{mm}$</p>	<p>B</p>  <p>$\varnothing 13 \times 1/4" \times 50 \text{mm}$</p>	<p>C</p>  <p>$\varnothing 1/4" \times 16 \times 1 \text{mm}$</p>
<p>Hex-Head bolts(4pcs)</p>	<p>Hex-Head bolts(2pcs)</p>	<p>Washer(6pcs)</p>
<p>D</p>  <p>$\varnothing 6 \times 35 \text{mm}$</p>	<p>E</p>  <p>$\varnothing 14.5 \times 12 \text{mm}$</p>	<p>F</p> 
<p>Three in one bolts(34pcs)</p>	<p>Three in one lock(34pcs)</p>	<p>Handle (1pc)</p>
<p>G</p> 	<p>H</p>  <p>$\varnothing 5/32" \times 20 \text{mm}$</p>	<p>I</p>  <p>$\varnothing 5/32" \times 15 \text{mm}$</p>
<p>Handle (5pcs)</p>	<p>Handle screw (1pc)</p>	<p>Handle screw (4pcs)</p>
<p>J</p>  <p>$\varnothing 5/32" \times 25 \text{mm}$</p>	<p>K</p>  <p>$\varnothing 8 \times \varnothing 4 \times 25 \text{mm}$</p>	<p>L</p>  <p>$\varnothing 8 \times \varnothing 4 \times 32 \text{mm}$</p>
<p>Handle screw (6pcs)</p>	<p>Round head screw(2pcs)</p>	<p>Round head screw(24pcs)</p>
<p>M</p> 	<p>N</p>  <p>$\varnothing 7 \times \varnothing 3.5 \times 15 \text{mm}$</p>	<p>O</p>  <p>$\varnothing 8 \times 30 \text{mm}$</p>
<p>Damping hinge (2pcs)</p>	<p>Flat head screw(12pcs)</p>	<p>Wood dowel(30pcs)</p>
<p>P</p>  <p>4mm</p>	<p>Q</p> 	
<p>Allen key(1pc)</p>	<p>Anti fall hardware(1set)</p>	

STEP: 1


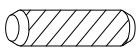
D

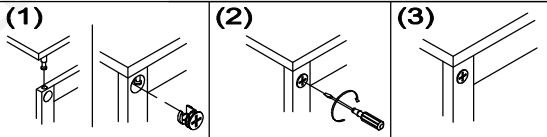
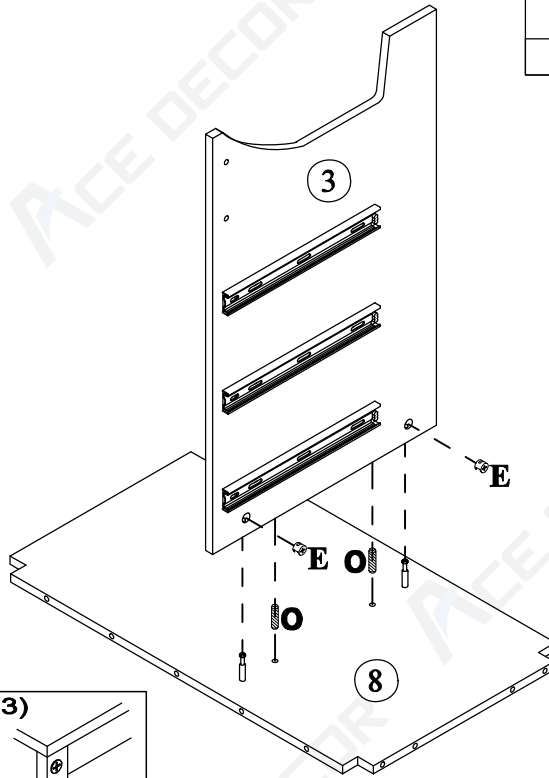


22PCS






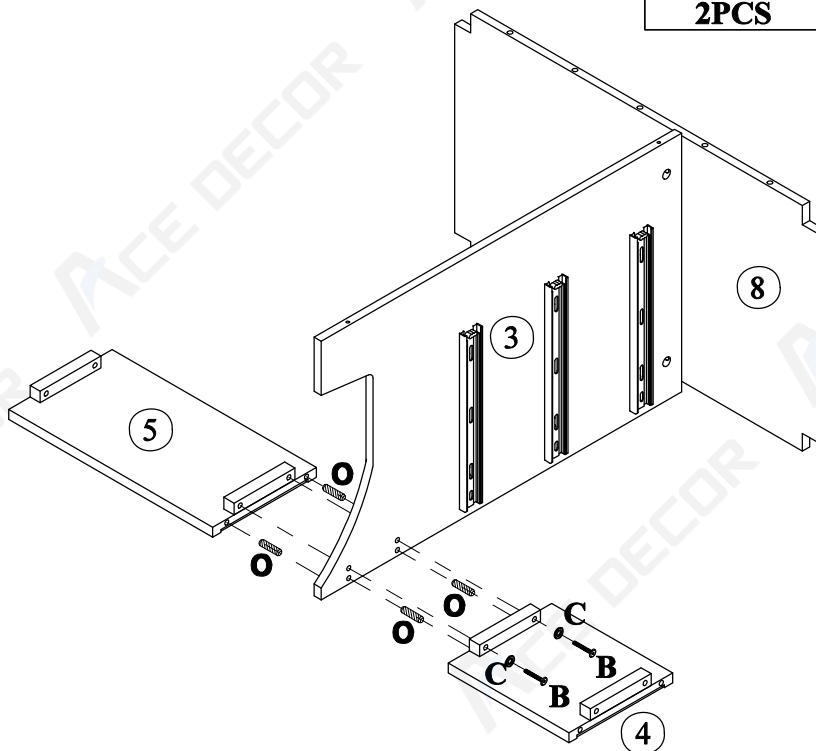
STEP: 2

E 	O 
2PCS	2PCS

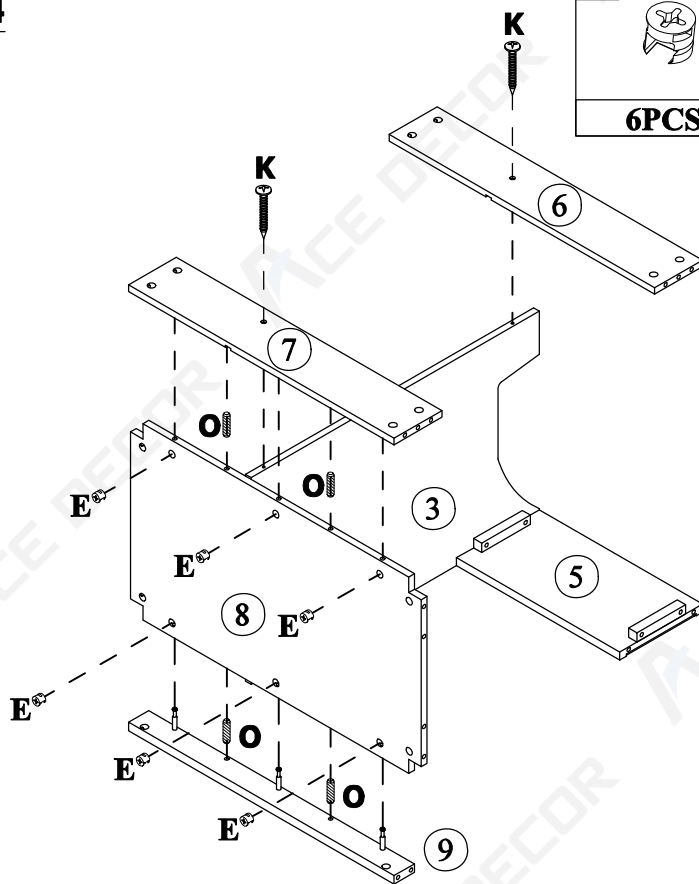



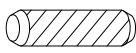

STEP: 3

B 	C 	O 
2PCS	2PCS	4PCS

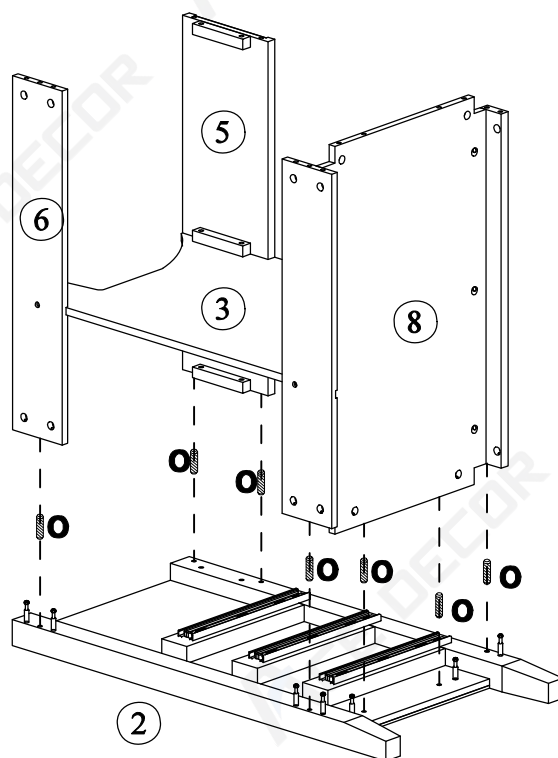



STEP: 4






E	O	K
		
6PCS	4PCS	2PCS

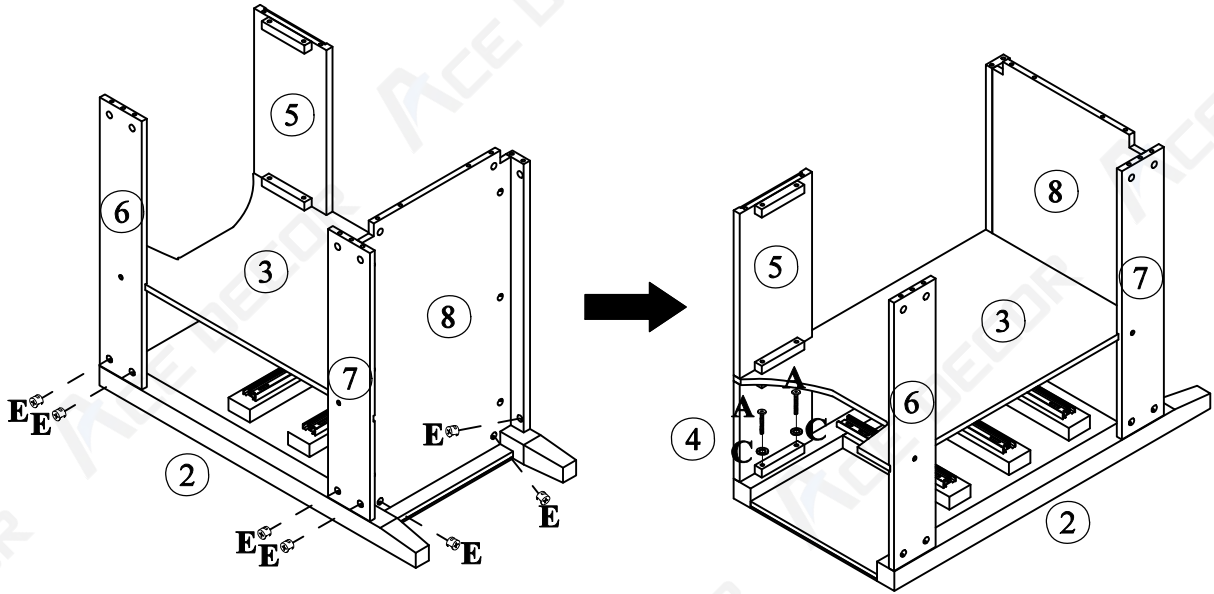
STEP: 5






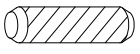
O

7PCS

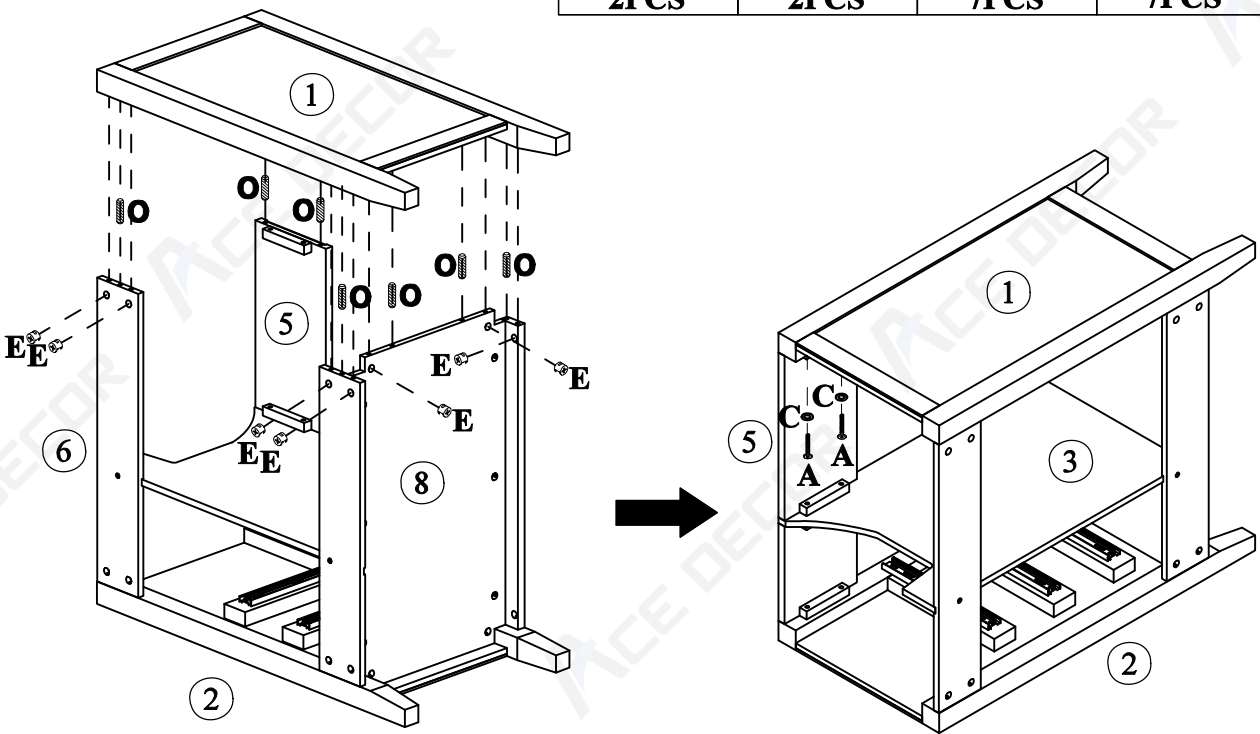
STEP: 6

A	C	E
		
2PCS	2PCS	7PCS

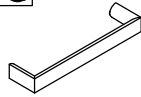
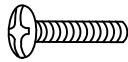


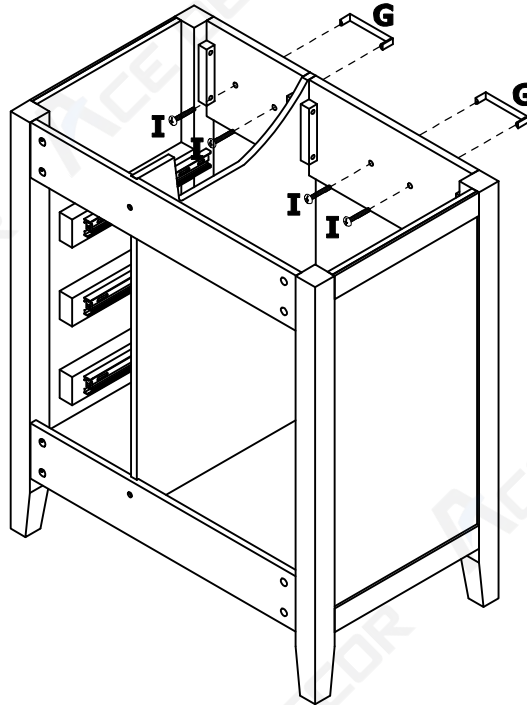
STEP: 7

A	C	E	O
			
2PCS	2PCS	7PCS	7PCS

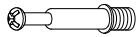


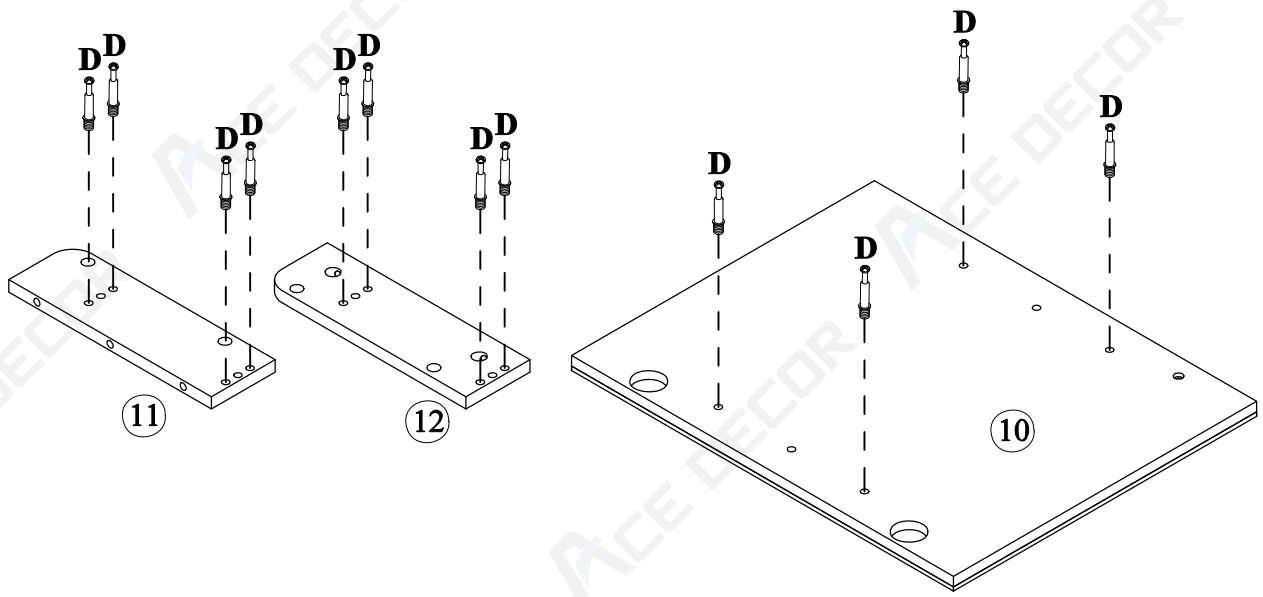
STEP: 8

G		I	
2PCS		4PCS	


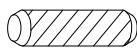


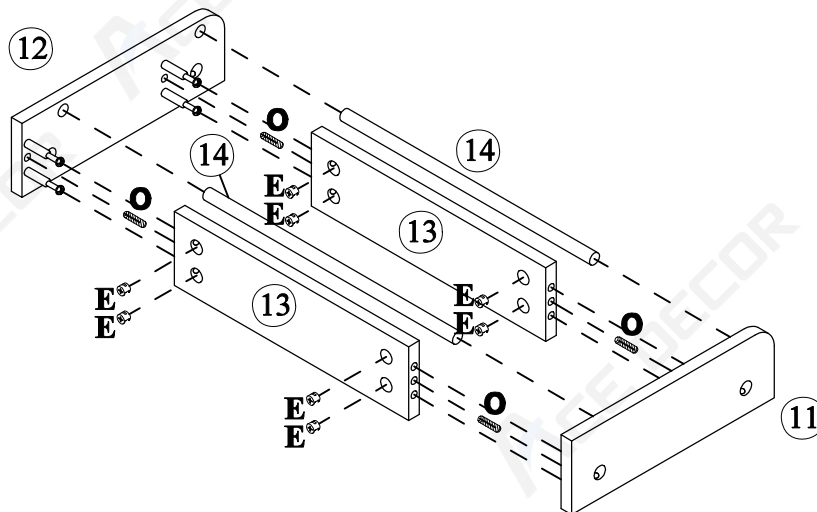
STEP: 9

D	
12PCS	


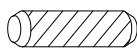


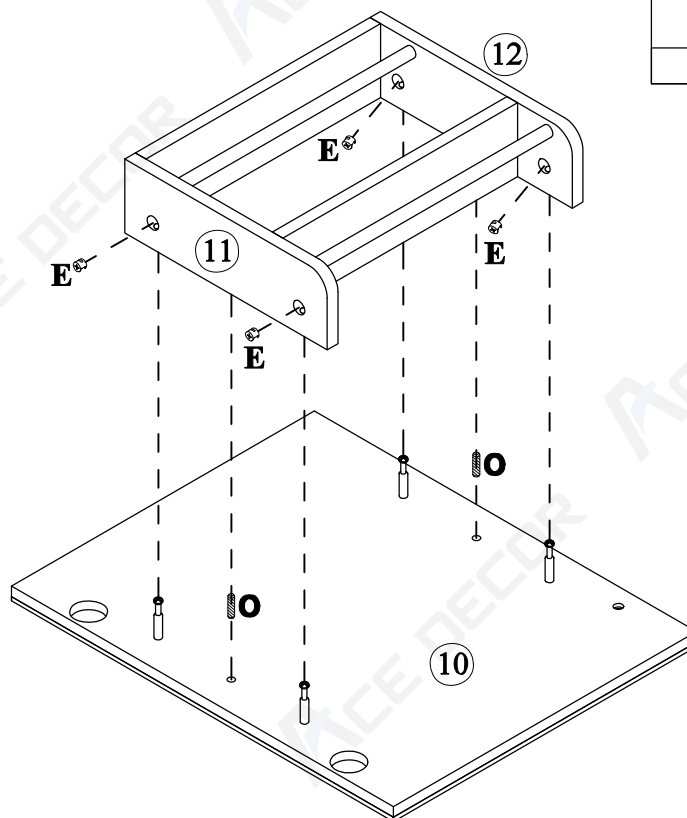
STEP: 10

E 	O 
8PCS	4PCS





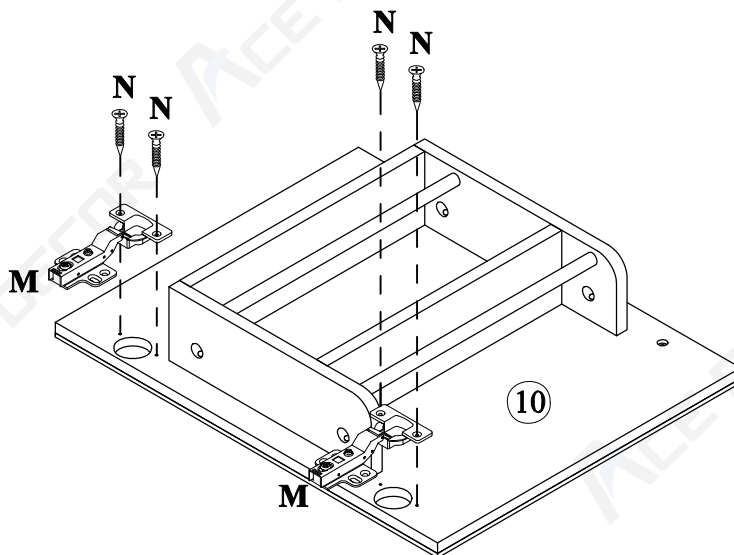
STEP: 11

E 	O 
4PCS	2PCS


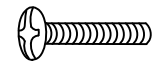
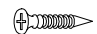


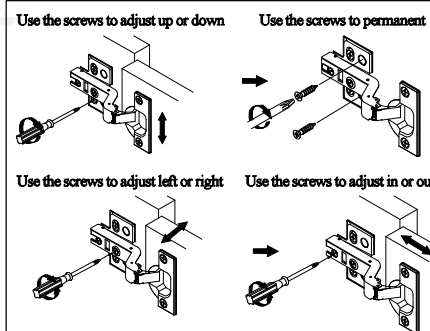
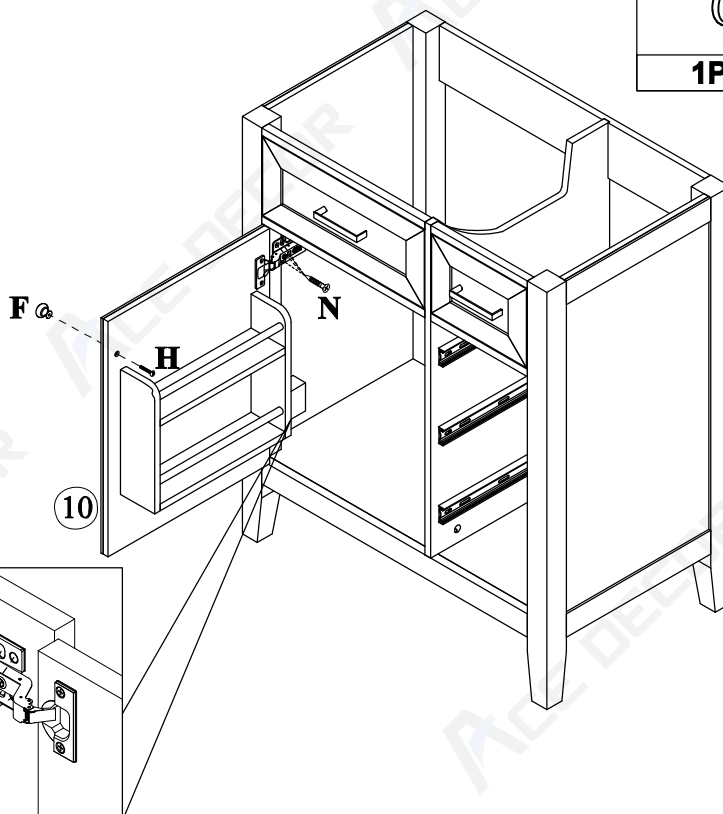
STEP: 12

M		N	
	2PCS		4PCS

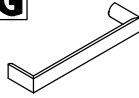
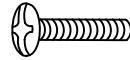



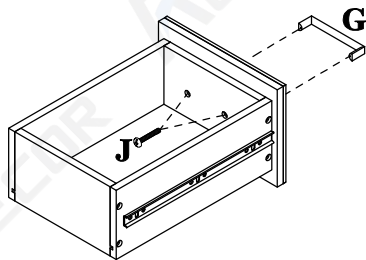
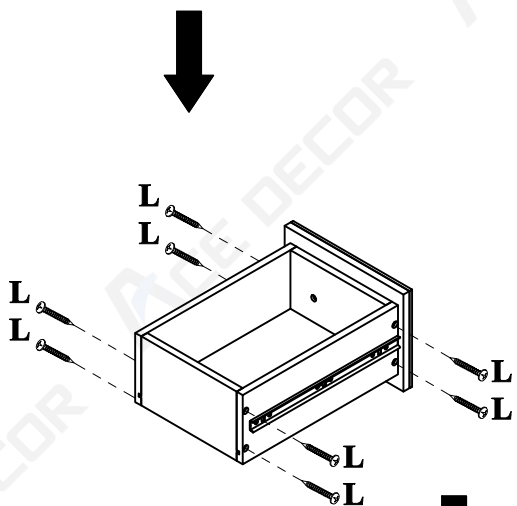
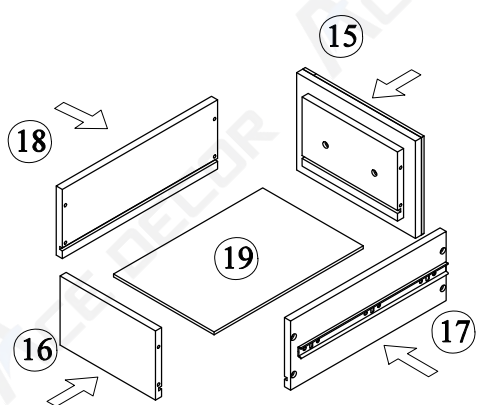
STEP: 13

F		H		N	
	1PC		1PC		8PCS



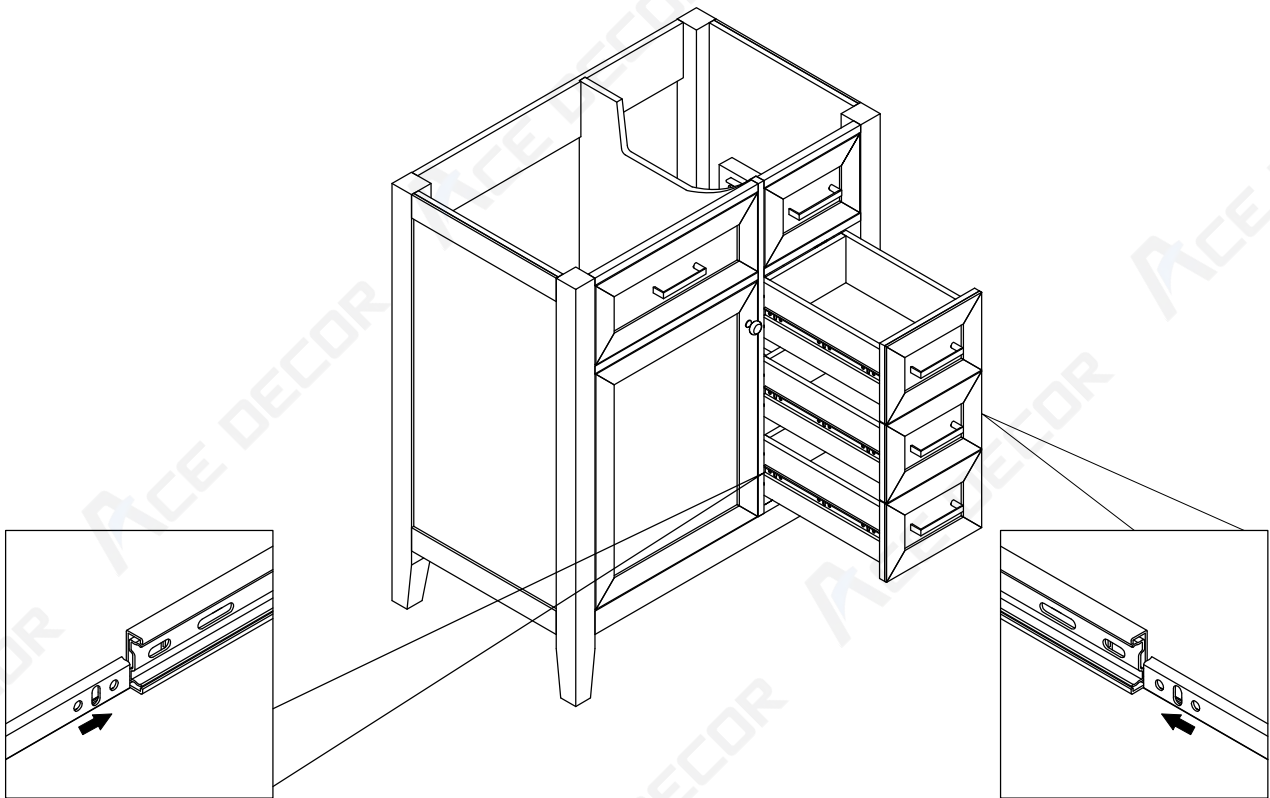
STEP: 14

G 	J 	L 
3PCS	6PCS	24PCS

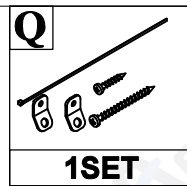
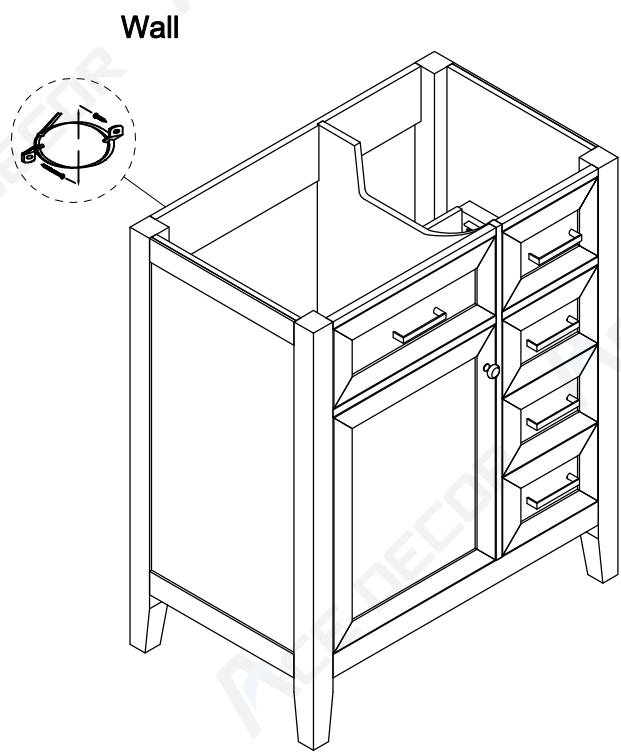


x3

STEP: 15

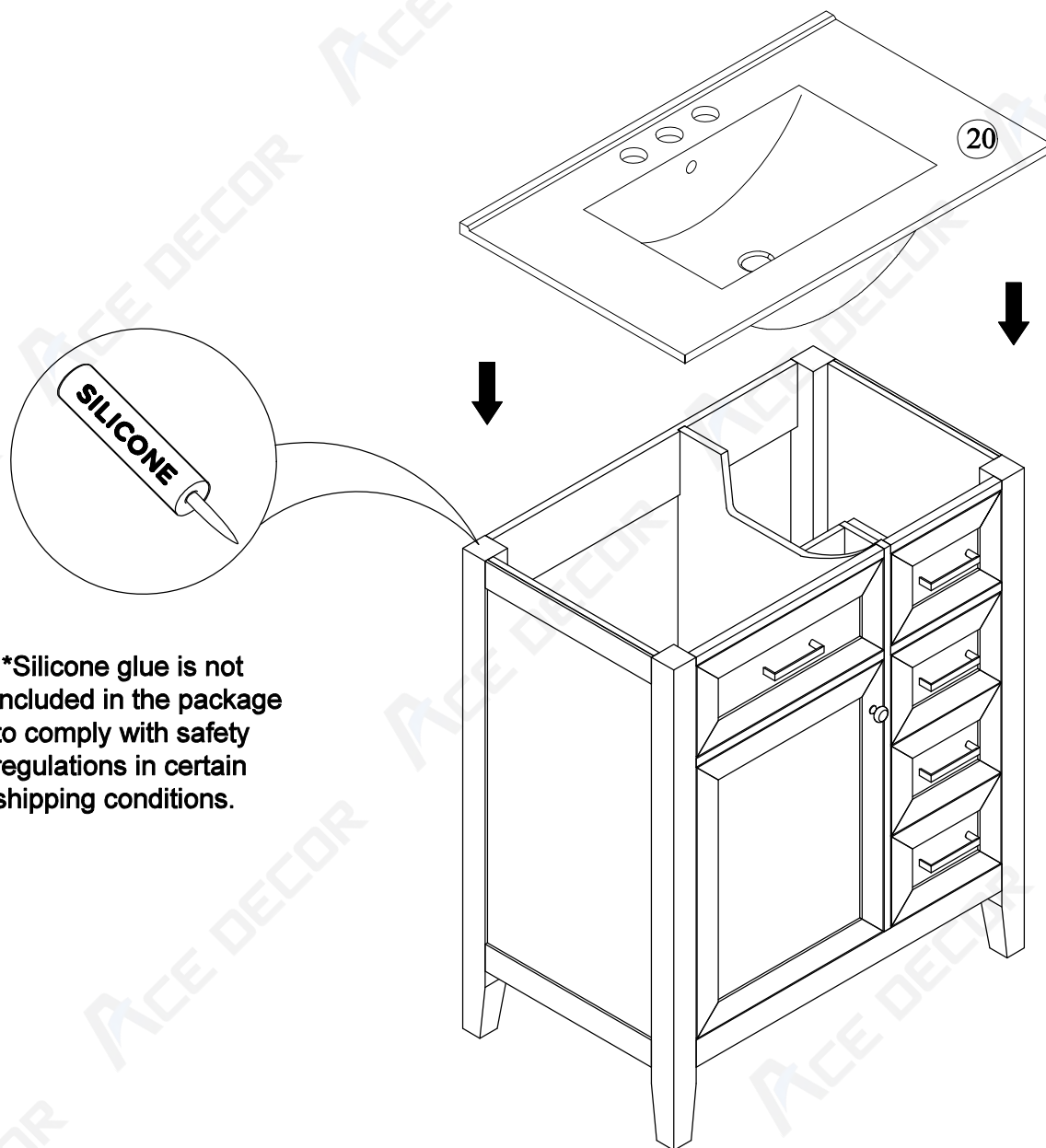


STEP: 16



STEP: 17

**Install the sink on the cabinet with glue.
Let stand for 24 hours**

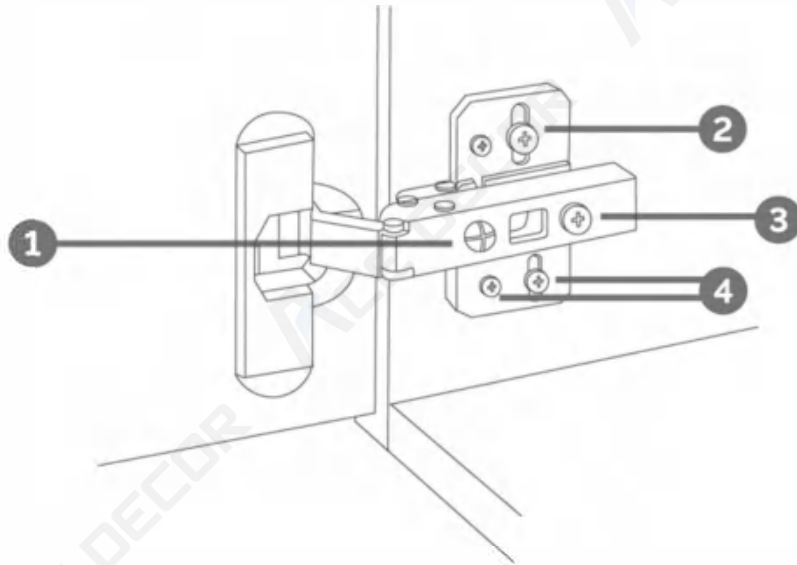


***Silicone glue is not included in the package to comply with safety regulations in certain shipping conditions.**

STEP: 18

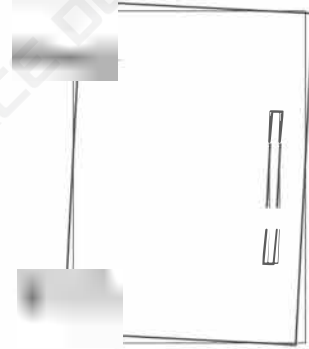


HINGE ADJUSTMENTS



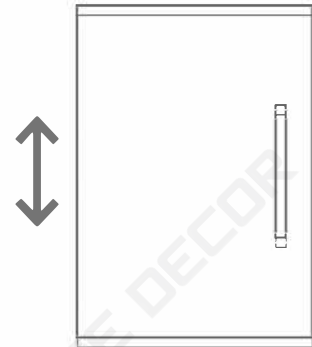
1 Sideways / Tilt adjustment

Turn the screw
clockwise to move the door further away from the side of the cabinet
anticlockwise to move the door closer to the side of the cabinet



2 4 Height adjustment

While supporting the weight of the door, turn the screws
clockwise to move the door up
anticlockwise to move the door down



3 Forward and back adjustment

If the gap between the back of the door and the cabinet is too small, and the door may not close fully. Turn the screw
clockwise to decrease the gap between the door and the cabinet
anticlockwise to increase the gap between the door and the cabinet

