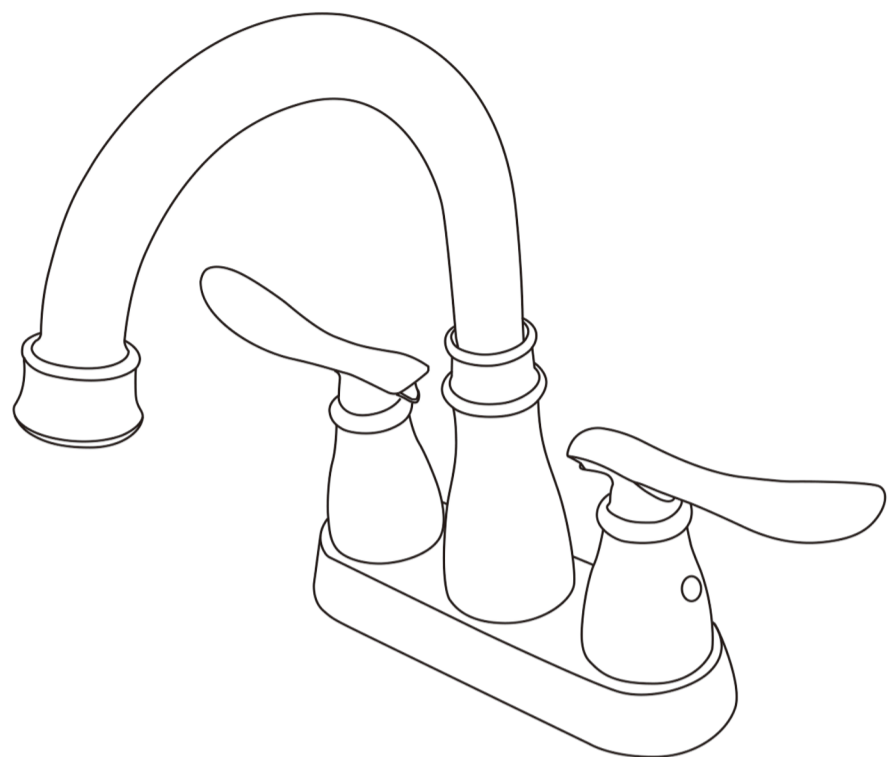


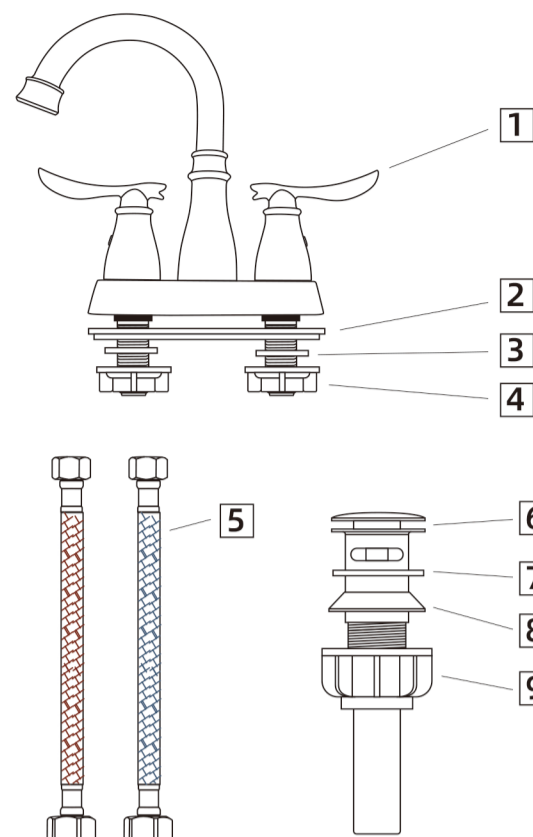
INSTRUCTION MANUAL

Bathroom Sink Faucet

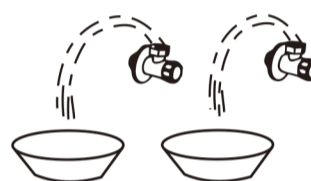


Parts list

1. Bathroom Sink Faucet (4 inches)
2. Base Plate
3. Washer x2
4. Black Nut x2
5. Faucet Supply Lines (cold and hot)
6. Pop-up Drainer
7. Sponge Washer
8. Gasket Washer
9. Lock Nut



Pay attentions



Flush supply valves to release any debris before installation.



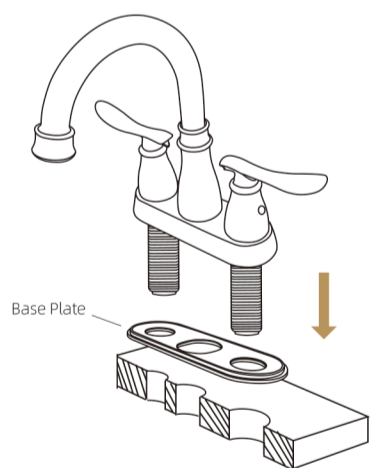
Please wear protective gloves before installation.



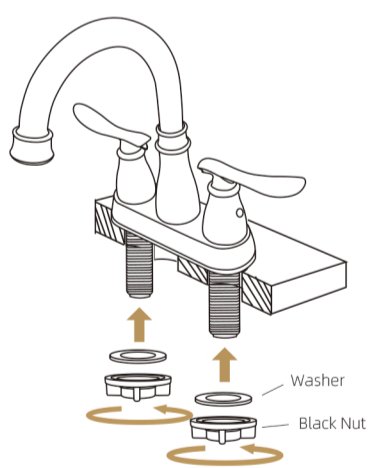
Tools may need.

Faucet Installation

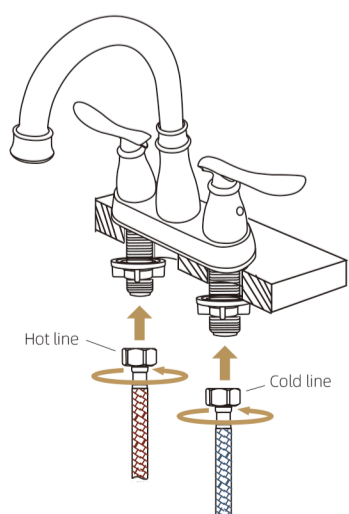
- A** Insert the faucet (hole to hole)
※ Shut off the supply valves before installation.



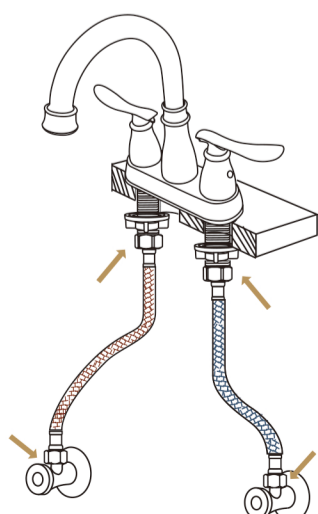
- B** Put the washer on and screw to tighten the black nut upward.



- C** Connect and screw on the faucet supply lines.



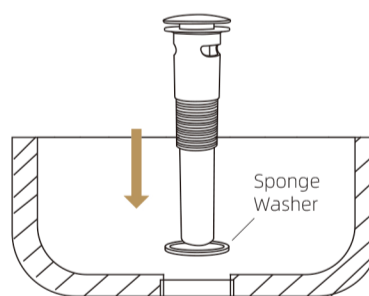
- D** Connect to the supply valves and turn on supply valves and faucet to check if any leakage. (If adapters are needed, pls reach out to us.)



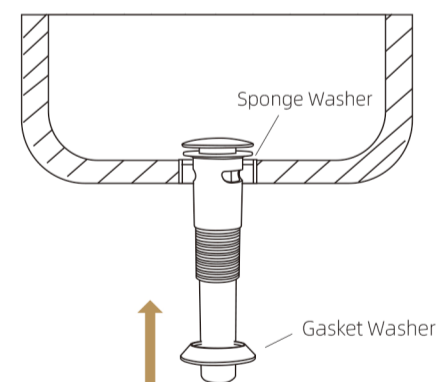
Pop-up Drainer Installation

Lufeidra

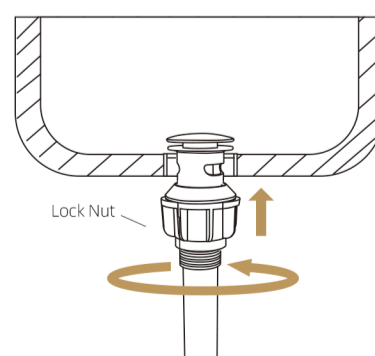
- 1** Take out the plastic cover, insert the sponge washer into the drainer body and put the drainer into the hole of the basin.



- 2** Put gasket washer into the drainer and make sure two washers are attached to the upper and lower side of the basin hole.



- 3** Put the lock nut inside the drainer body and screw on the nut tightly.



Notes:

1. Fits for sink with Overflow hole.
2. Clean the sink hole and make sure to remove debris.
3. Please avoid using the plumber's putty.
4. Do not use strong detergents or harsh cleansers. Regular cleaning of the Drainer.
5. If the faucet supply line do not fit, please reach out us to get adapters.