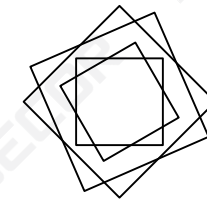
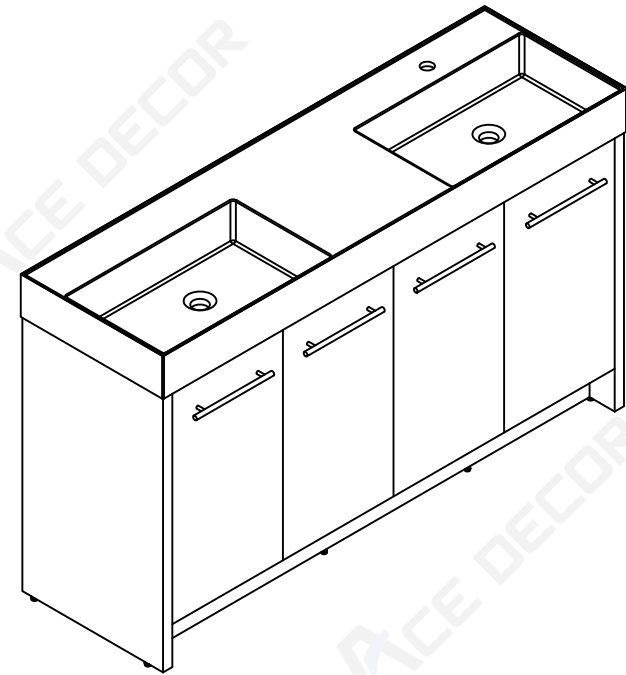


Installation Manual-BV B09260

MOTIVATE
YOUR LIFE !

THANKS FOR WATCHING

Your feedback is invaluable to us and we would love to hear about your experience. Please take the time to leave us a review.



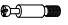









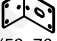






Thank you for shopping with us!

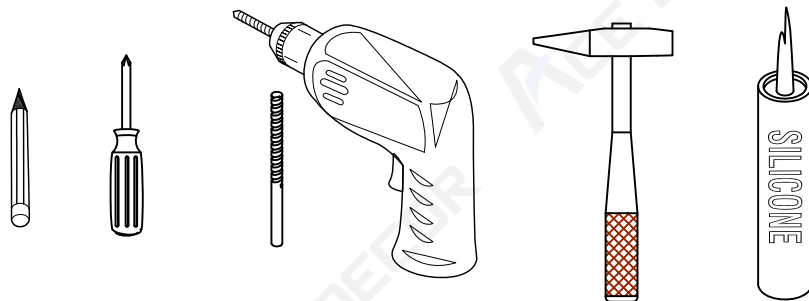
We encourage you to take a few minutes to go through this booklet. It contains important information on installation and care tips to keep your furniture looking as good as new.

Item NO.:BV B09260

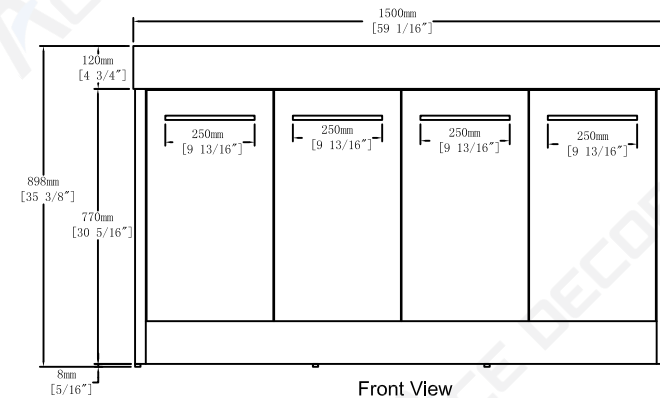
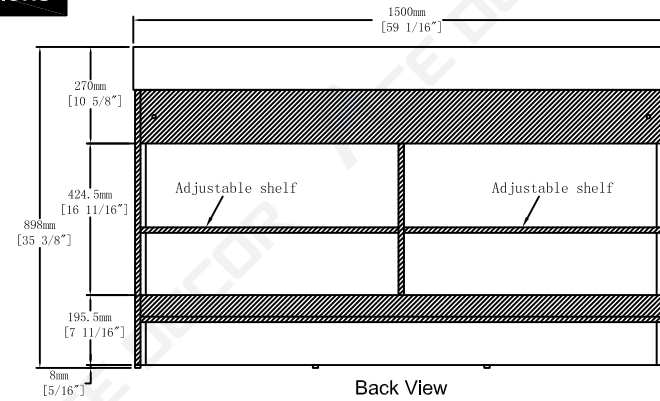
Hardware

NO.	Draw	QTY	NO.	Draw	QTY
A	 Screws Ø4x14mm	68	J	 Hinges (Half cover)	4
B	 Two-in-one connector	33	K	 Screws Ø4x25mm	1
C	 Two-in-one connector	33	L	 Handles	4
D	 Wood plug	6	M	 Screws (M4x20mm)	8
E	 Plastic anchor(Ø10mm)	2	N	 Adjustable feet	6
F	 Screws for fix on the wall	2	O	 Anti-collision gasket	8
G	 Bracket (53x70x44mm)	2	P	 Movable laminate support	8
H	 Bracket (19x19x35mm)	2	Q	 Screwdriver	1
I	 Hinges (Internal hiding)	4			

Recommended tools



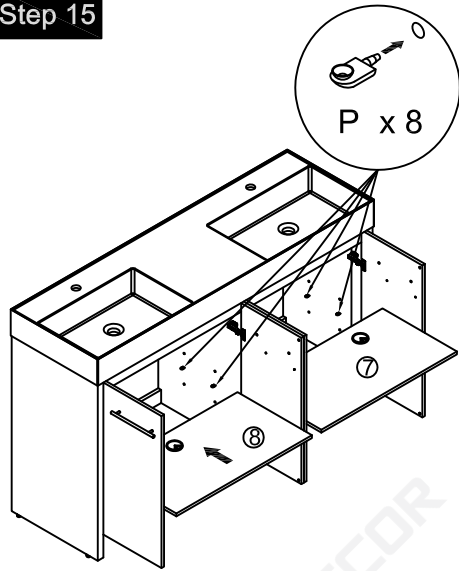
Dimensions



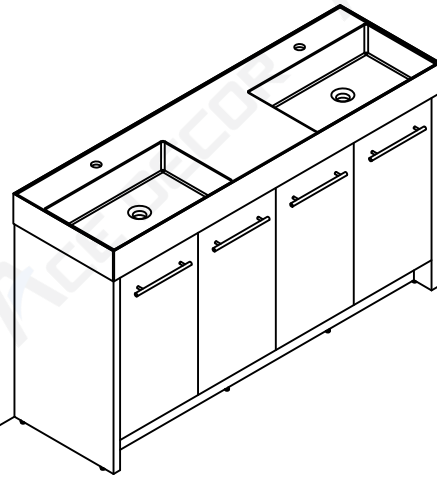
CARE CLEANING AND MAINTENANCE

1. Dust regularly with a soft , dry cloth.
2. Avoid the use of all chemicals household cleaners, abrasives, or cleaners that contain lemon, vinegar, or other acids that may damage the finish.
3. Excessive exposure to sunlight and extreme changes in temperature and moisture can damage wood furniture.
4. The sink top is resilient, but care needs to be taken to preserve its appearance.
5. Do not place hot appliances, such as curling irons and hot hair dryers directly on the countertop. Wipe spills immediately.

Step 15

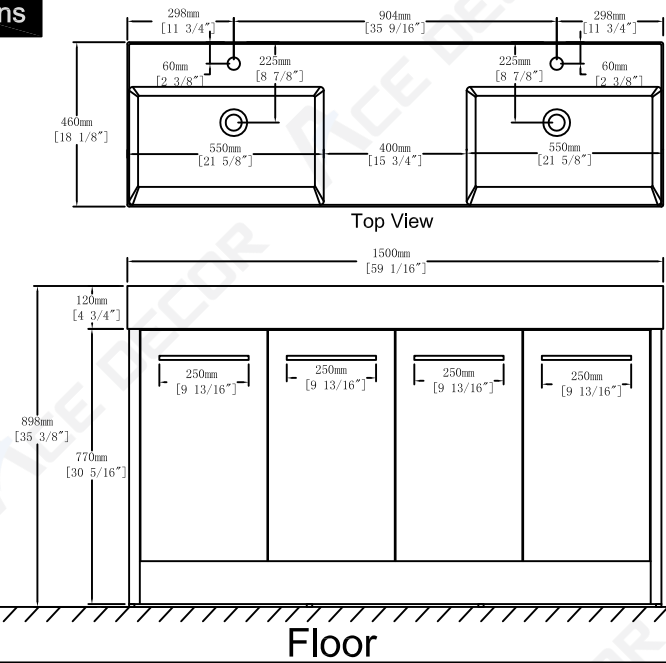


Finished

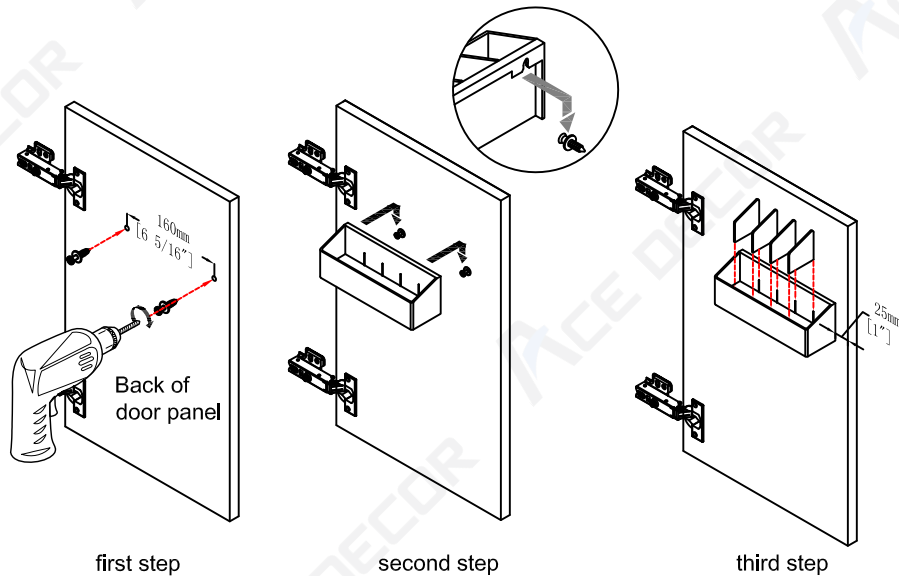


Notes:
The installation position can be selected according to the required height.

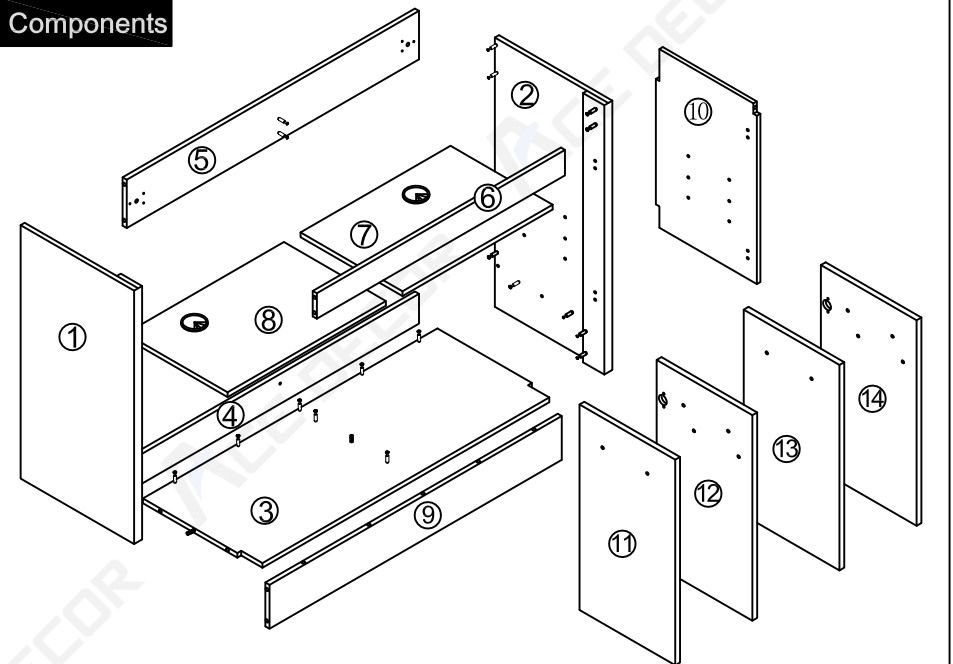
Dimensions

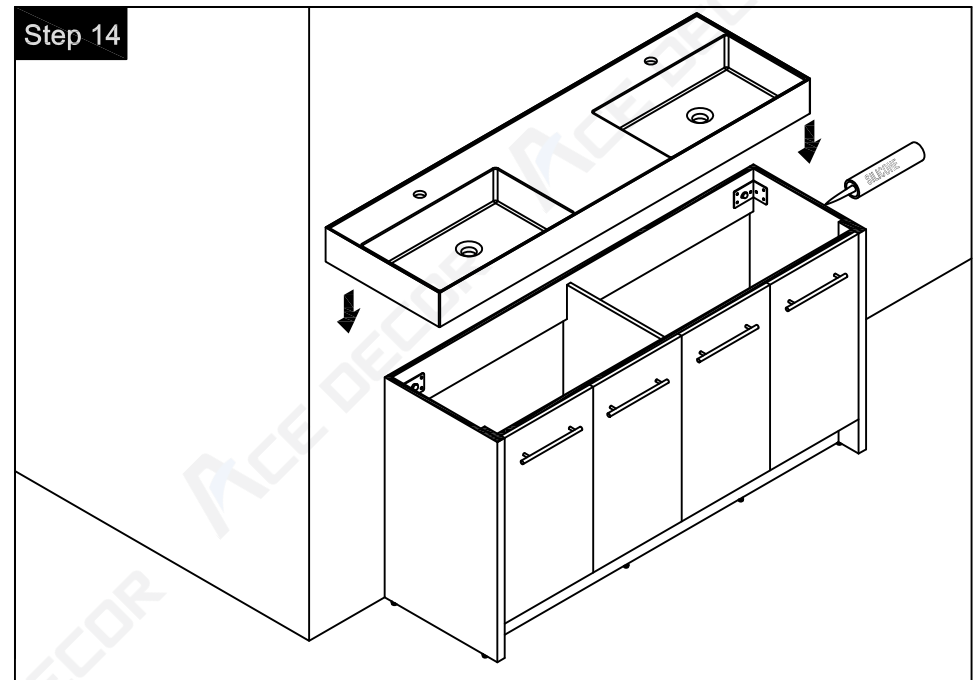
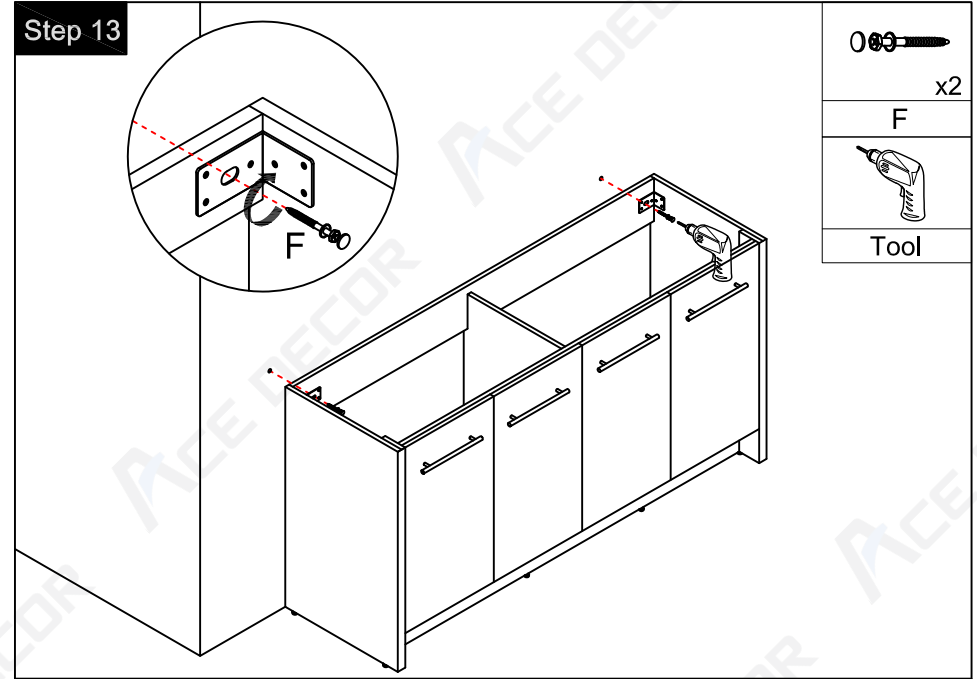
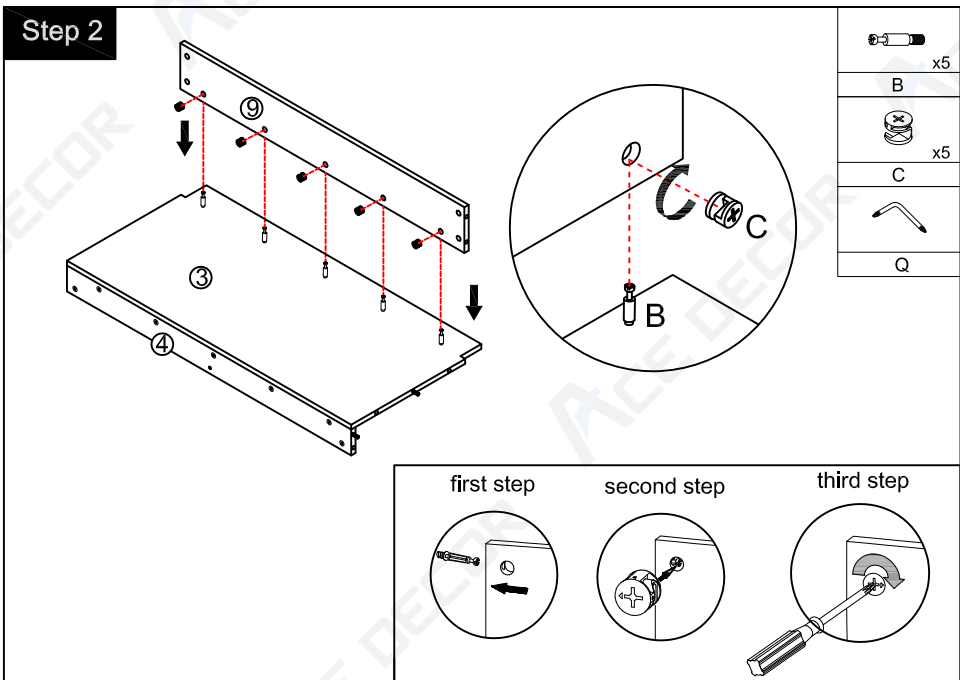
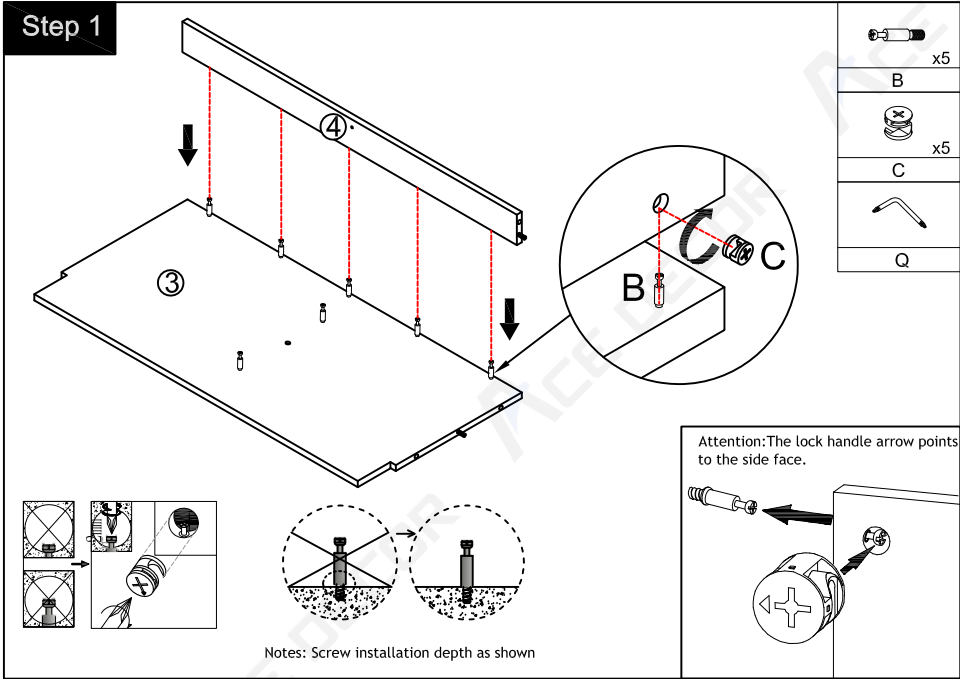


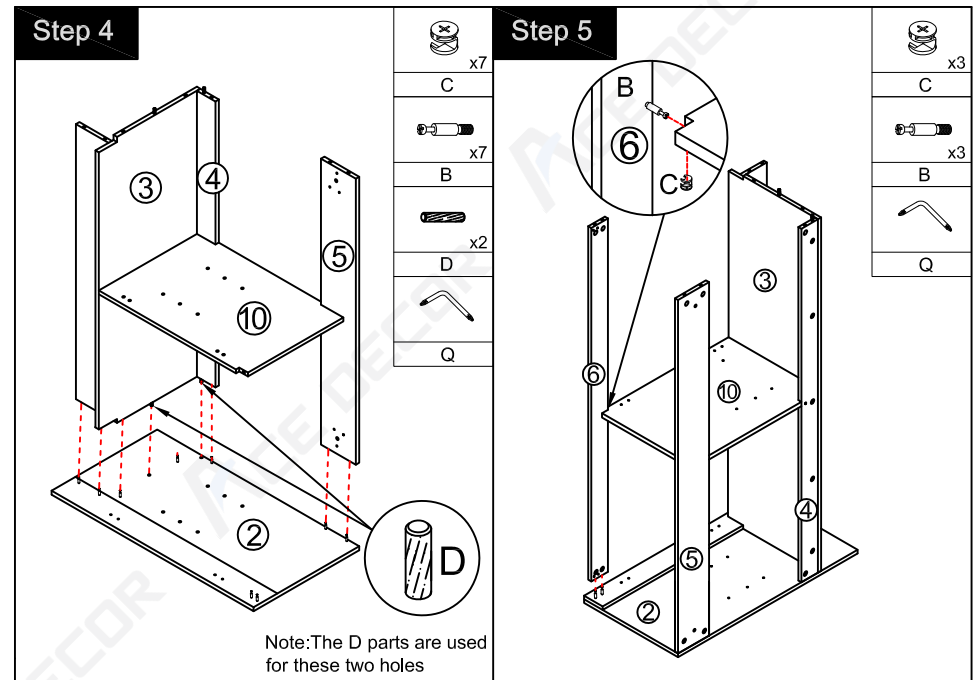
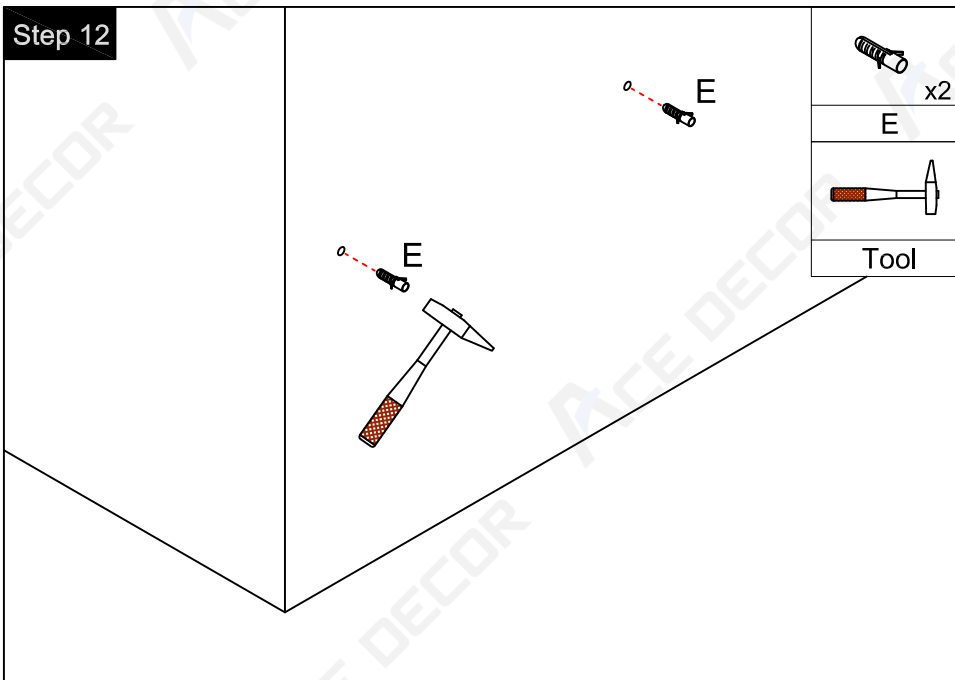
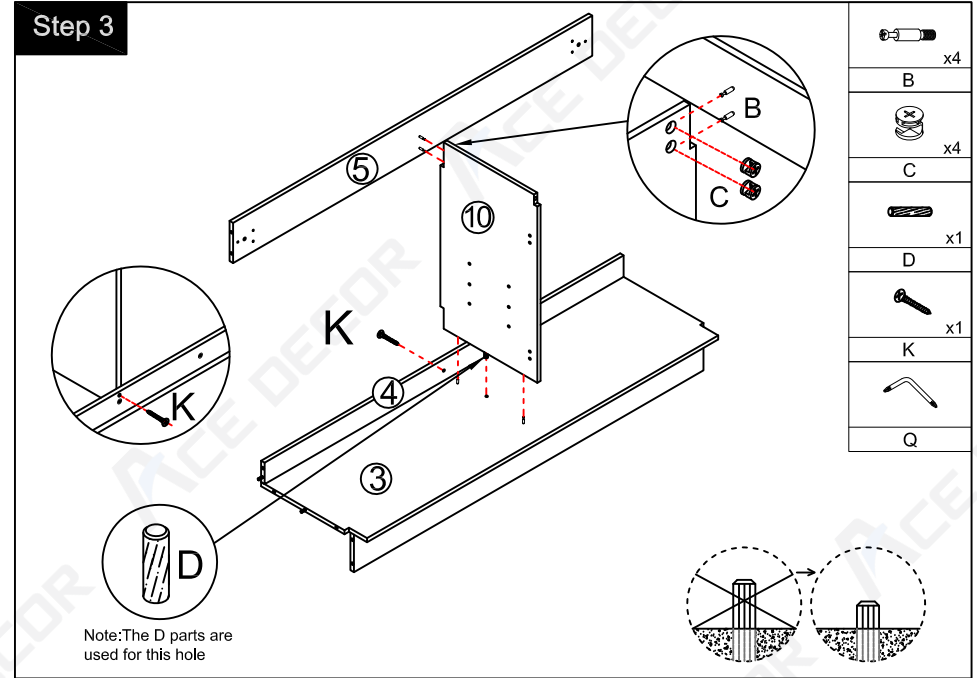
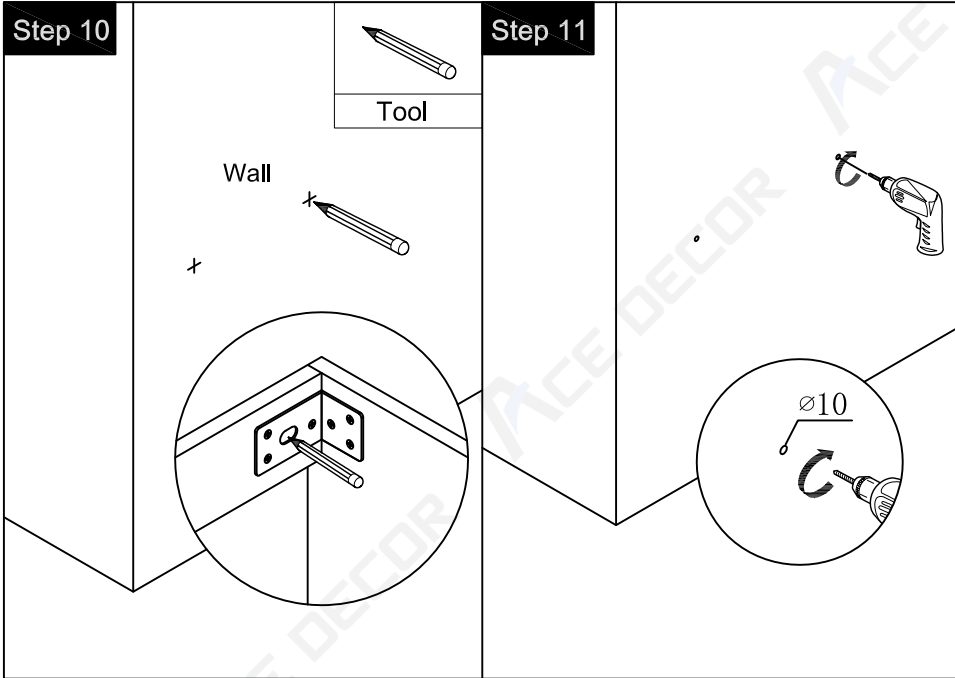
Procedure for installing the plastic box



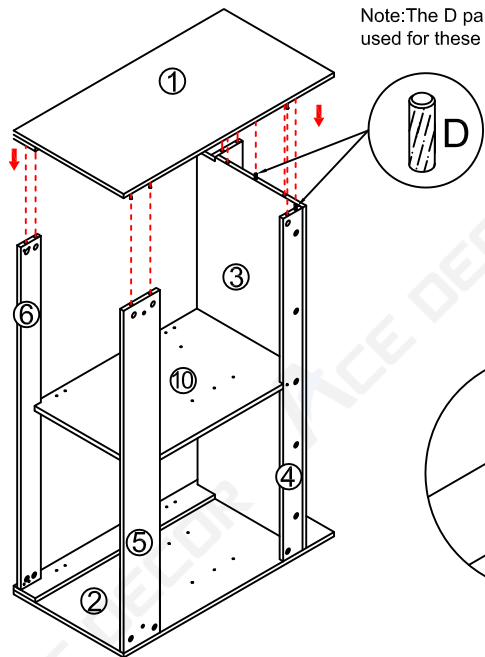
Components





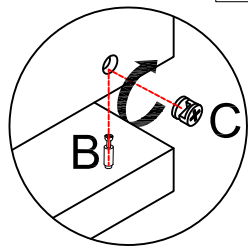


Step 6

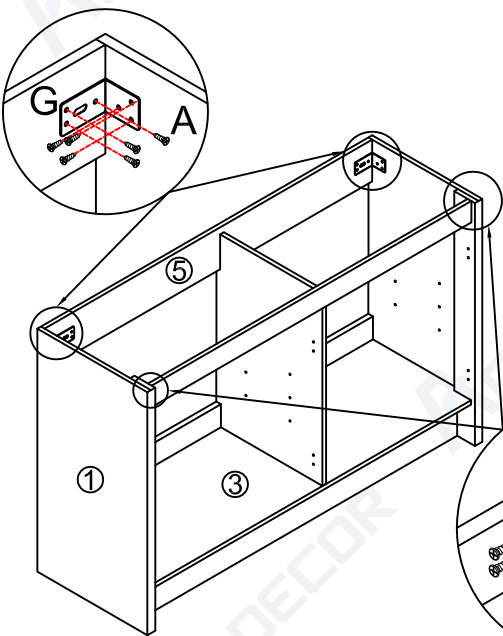


Note: The D parts are used for these two holes

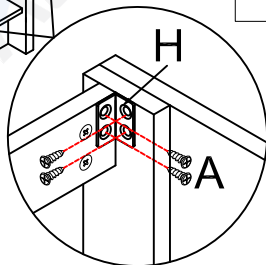
	x9
B	
	x9
C	
	x2
D	
Q	



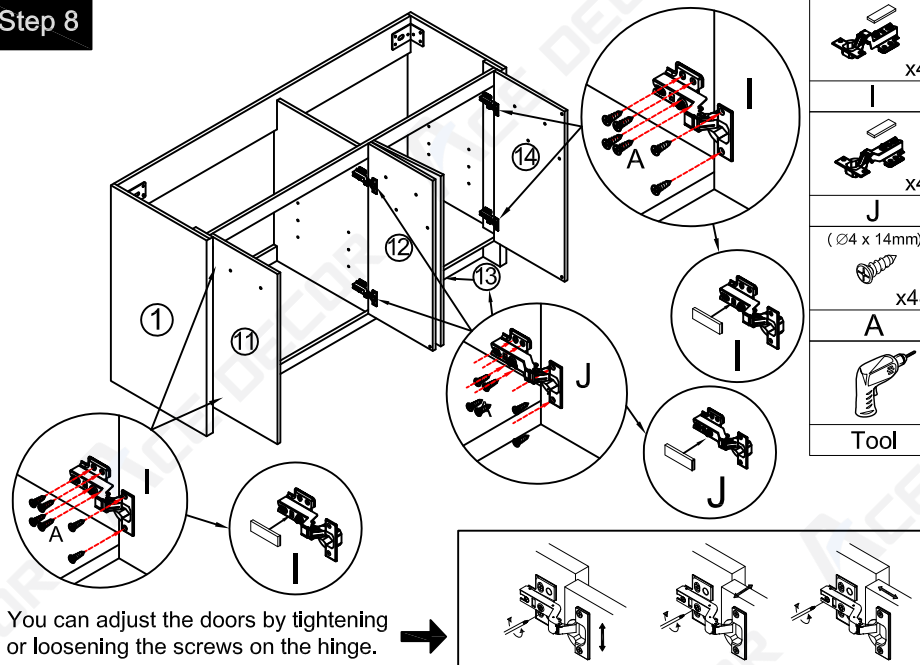
Step 7



	x2
G	
	x2
H	
($\varnothing 4 \times 14\text{mm}$)	
	x20
A	
Tool	



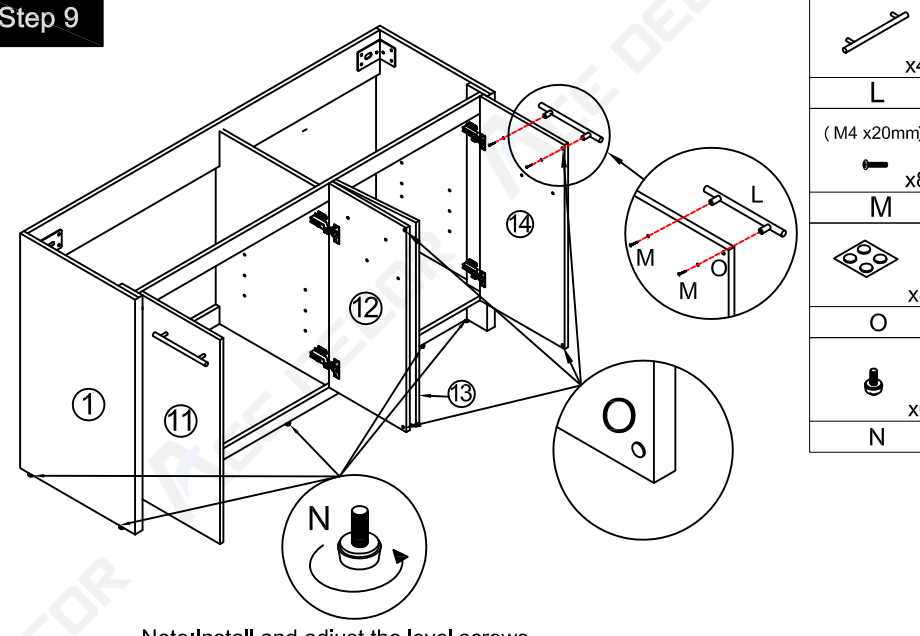
Step 8



You can adjust the doors by tightening or loosening the screws on the hinge. →

	x4
I	
	x4
J	
($\varnothing 4 \times 14\text{mm}$)	
	x48
A	
Tool	

Step 9



Note: Install and adjust the level screws

	x4
L	
(M4 x20mm)	
	x8
M	
	x8
O	
	x6
N	