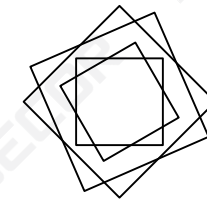
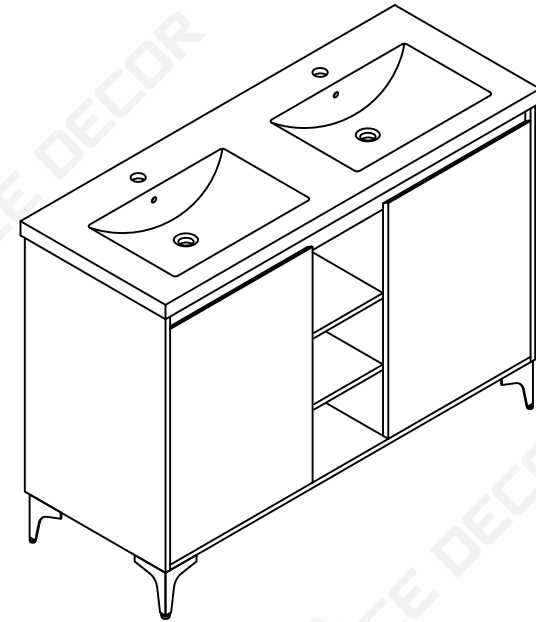


Installation Manual-BV B07148

MOTIVATE
YOUR LIFE !

THANKS FOR WATCHING

Your feedback is invaluable to us and we would love to hear about your experience. Please take the time to leave us a review.




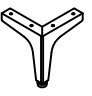







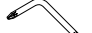




Thank you for shopping with us!

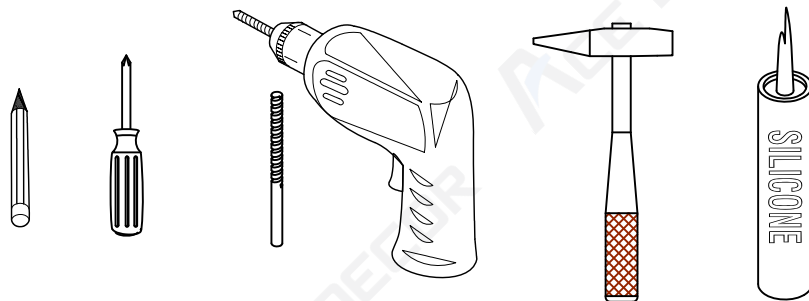
We encourage you to take a few minutes to go through this booklet. It contains important information on installation and care tips to keep your furniture looking as good as new.

Item NO.:BV B07148

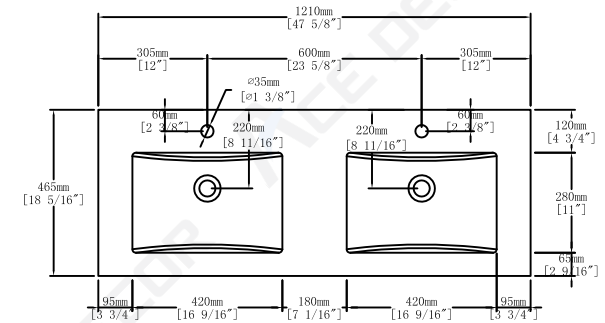
Hardware

NO.	Draw	QTY	NO.	Draw	QTY
A	 Screws Ø4x14mm	44	I	 Hinges (Internal hiding)	4
B	 Two-in-one connector	47	J	 Metal Feet	4
C	 Two-in-one connector	47	K	 Screws M4x14mm	16
D	 Wood plug	12	L	 Anti-collision gasket	4
E	 Plastic anchor(Ø10mm)	2	M	 Movable laminate support	8
F	 Screws for fix on the wall	2	N	 Screwdriver	1
G	 Bracket (53x70x44mm)	2			
H	 Bracket (19x19x35mm)	2			

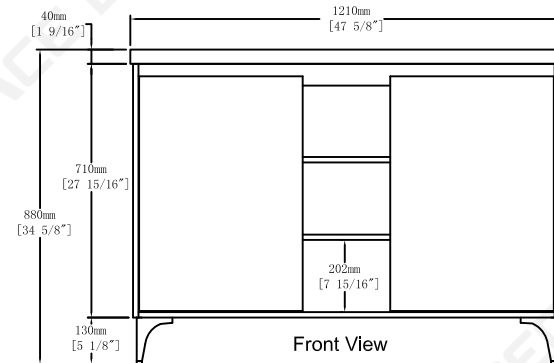
Recommended tools



Dimensions



Top View

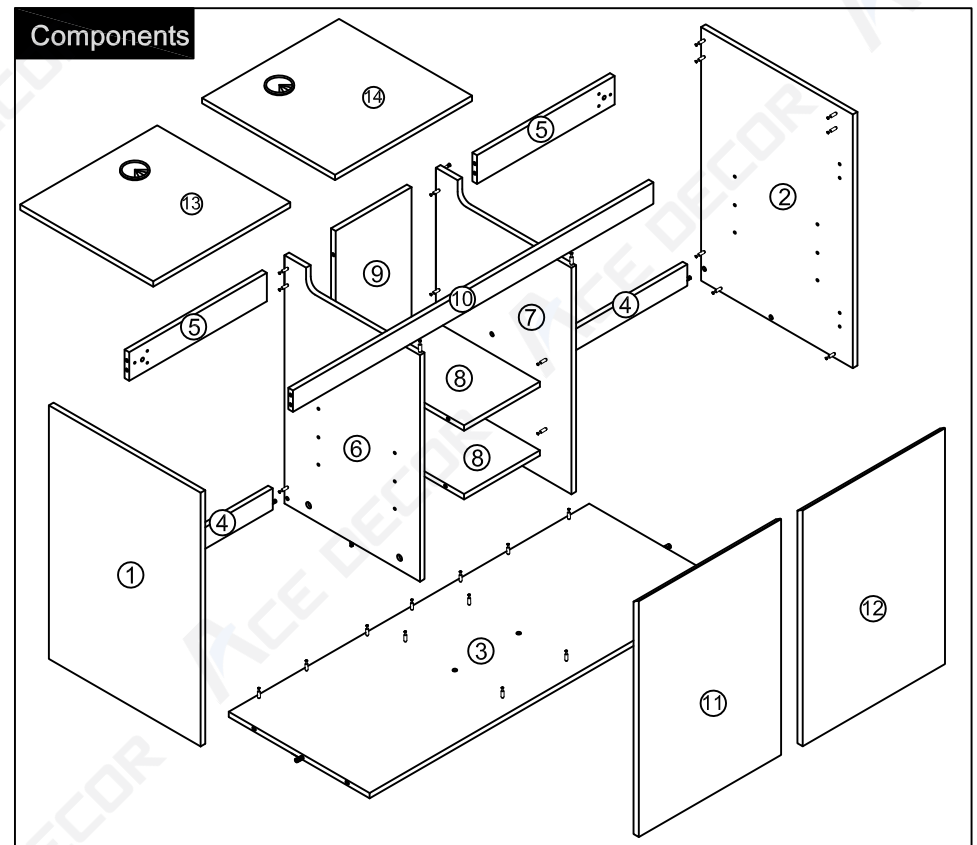
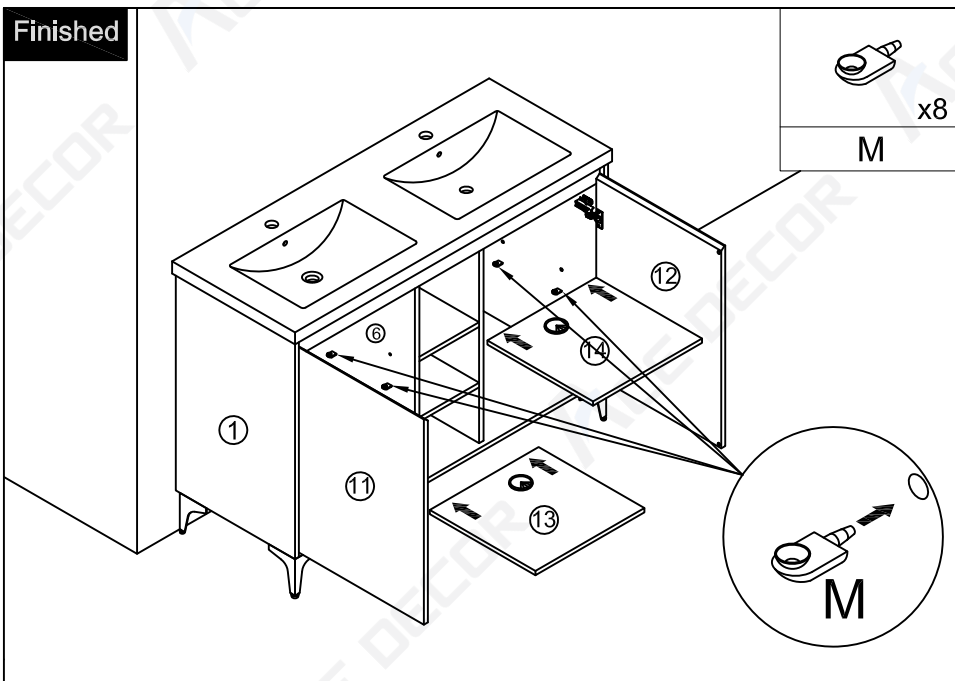
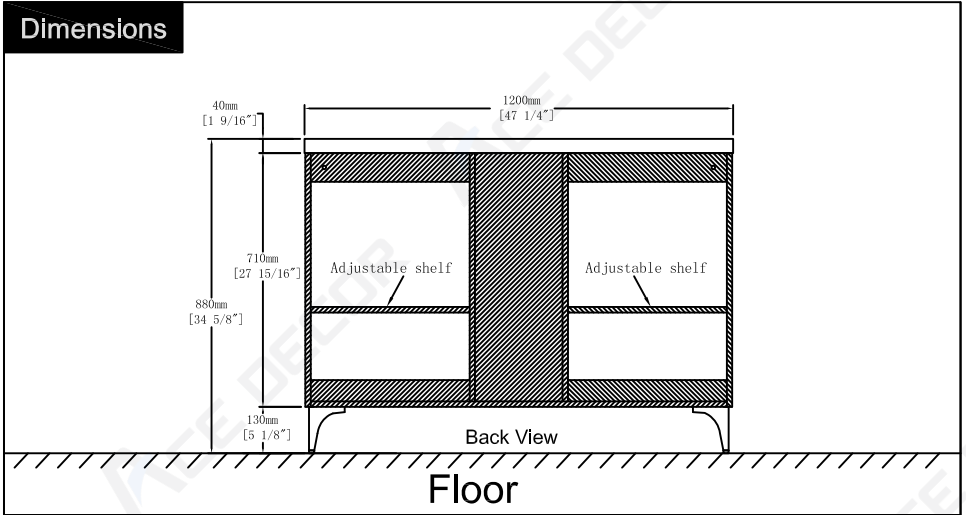
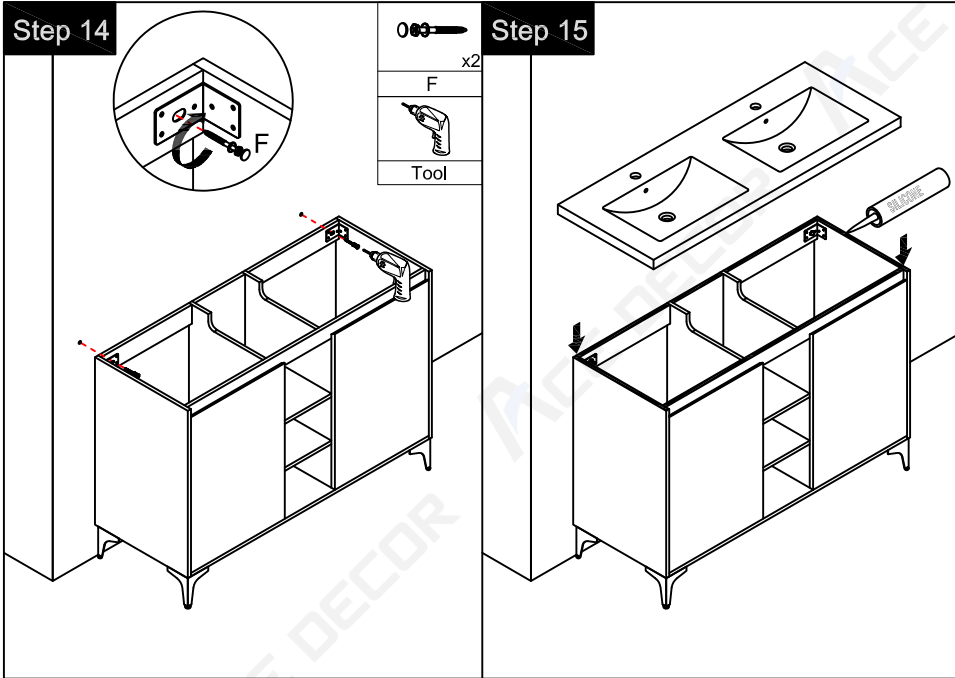


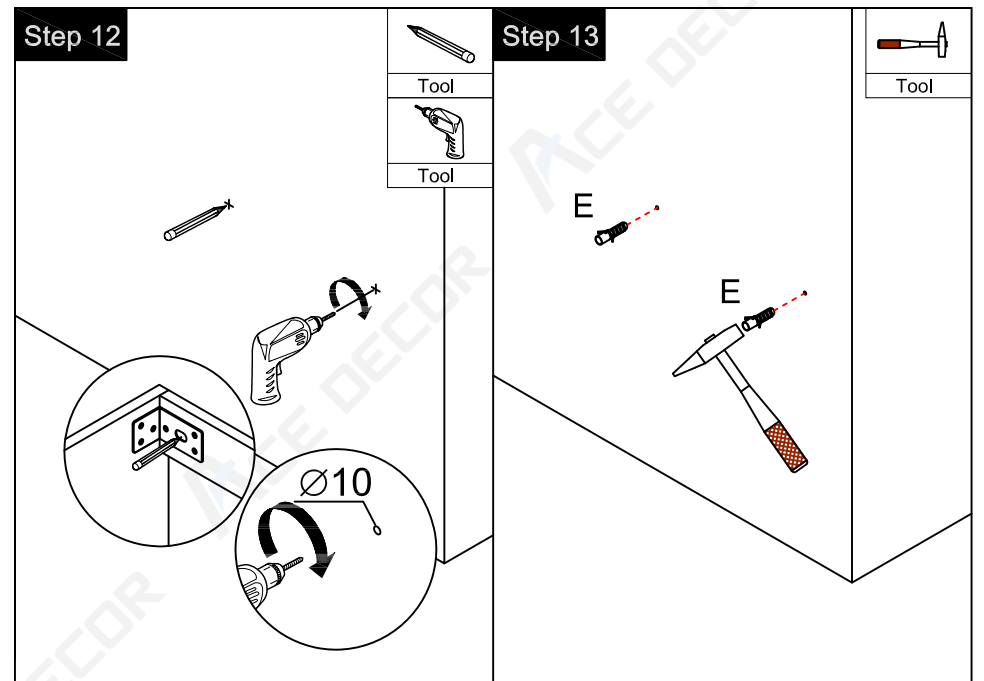
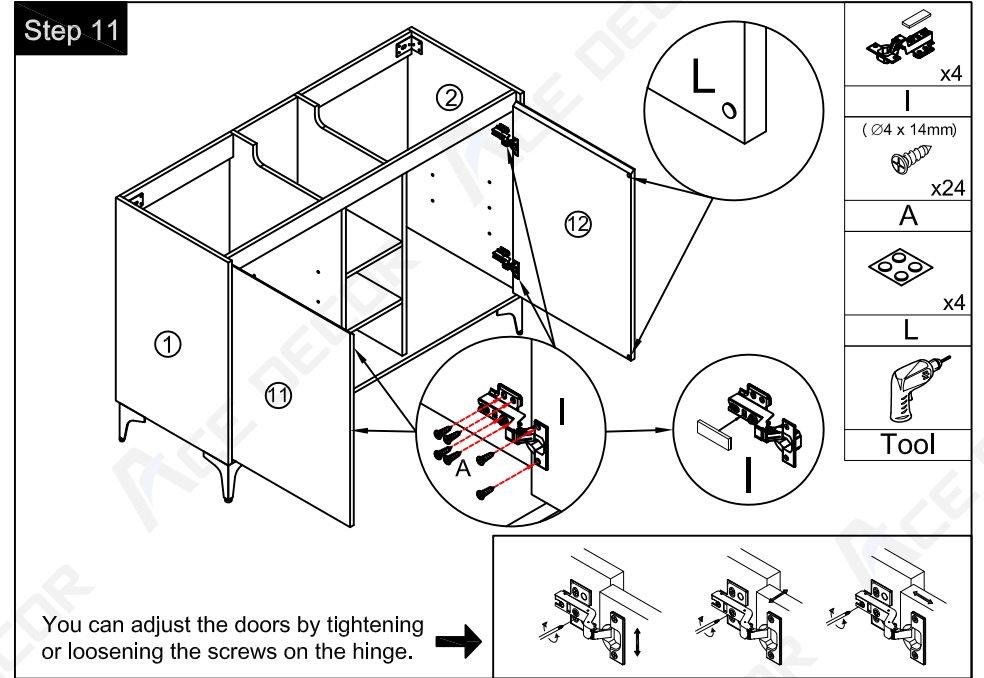
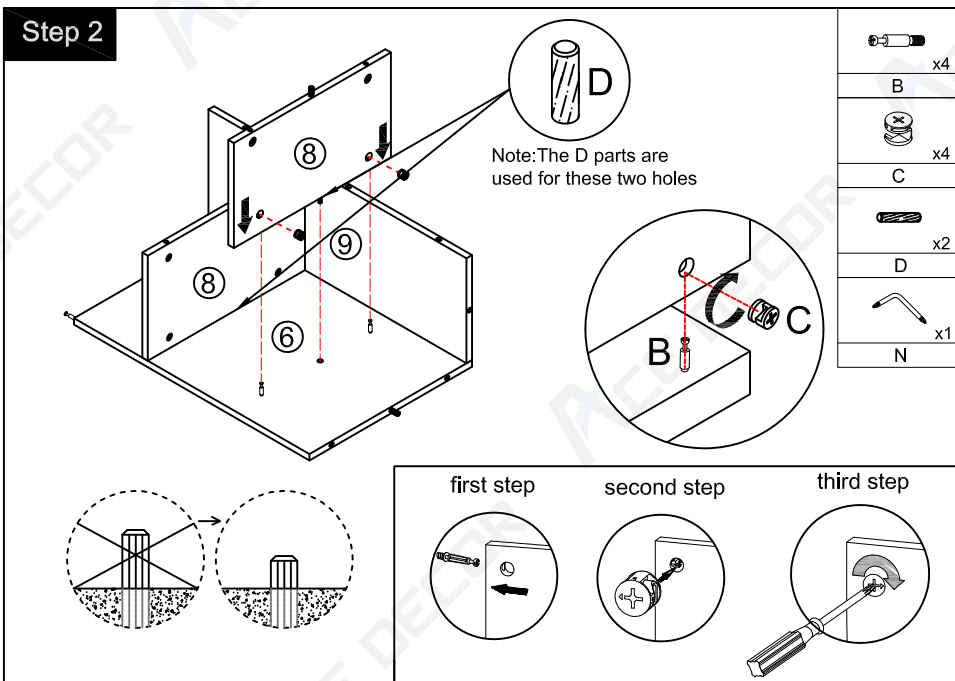
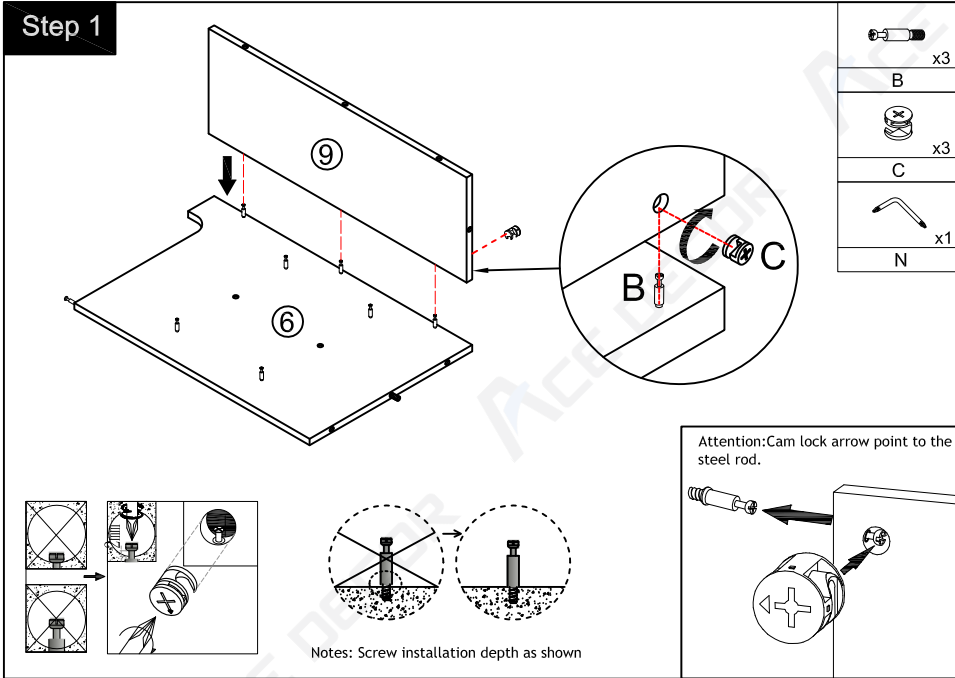
Front View

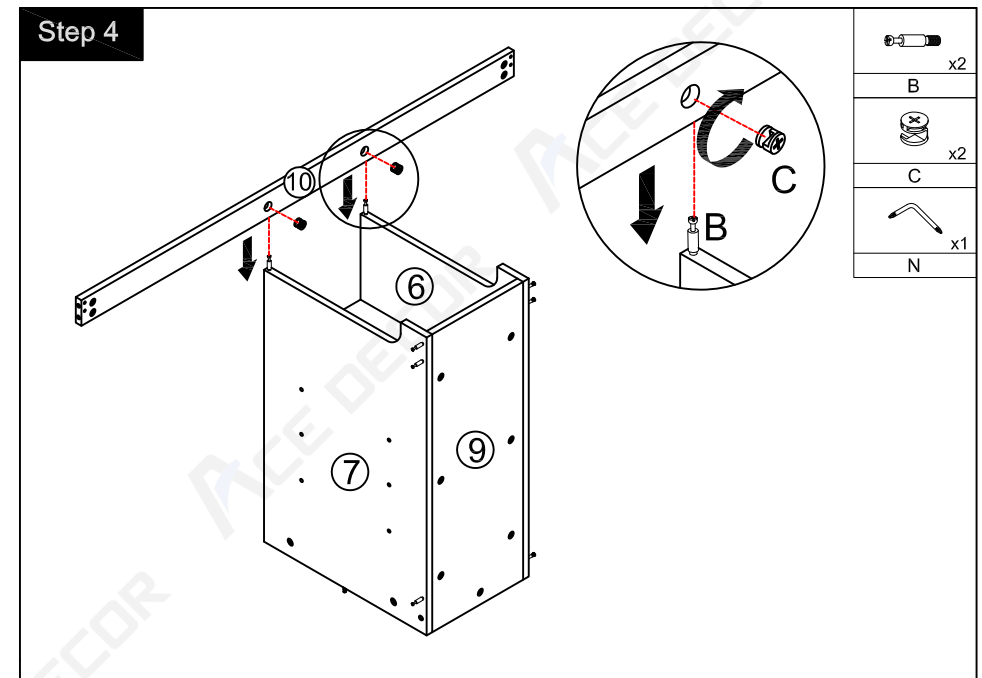
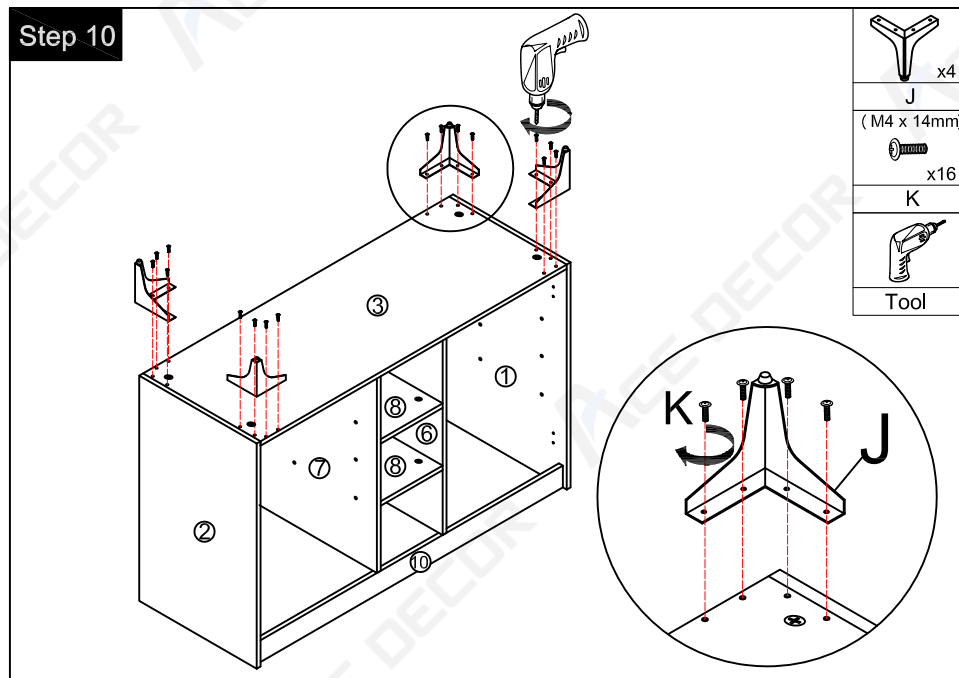
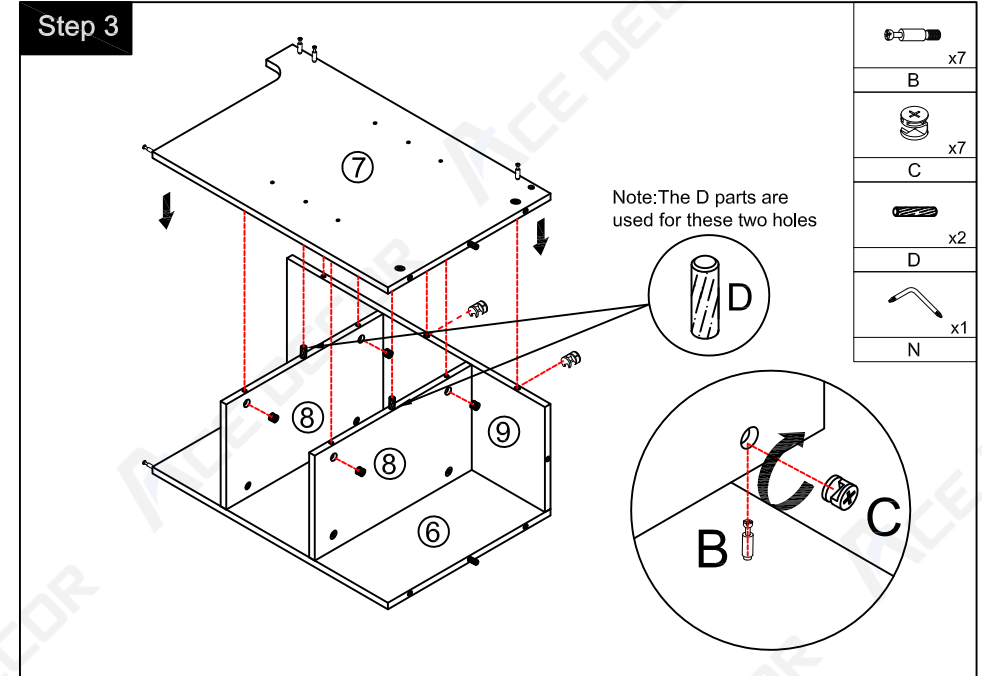
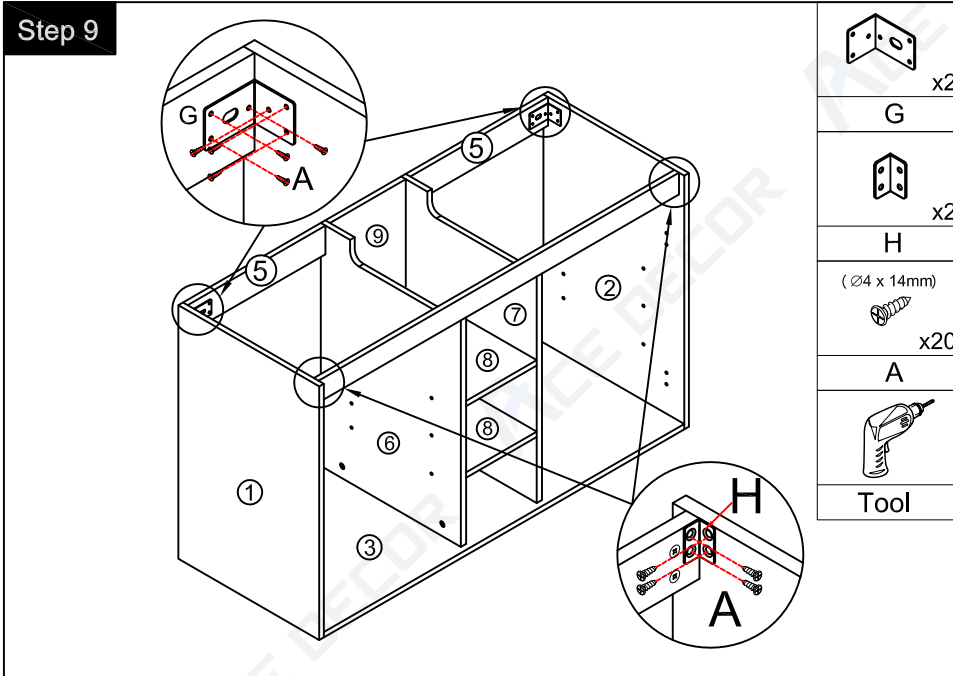
Floor

CARE CLEANING AND MAINTENANCE

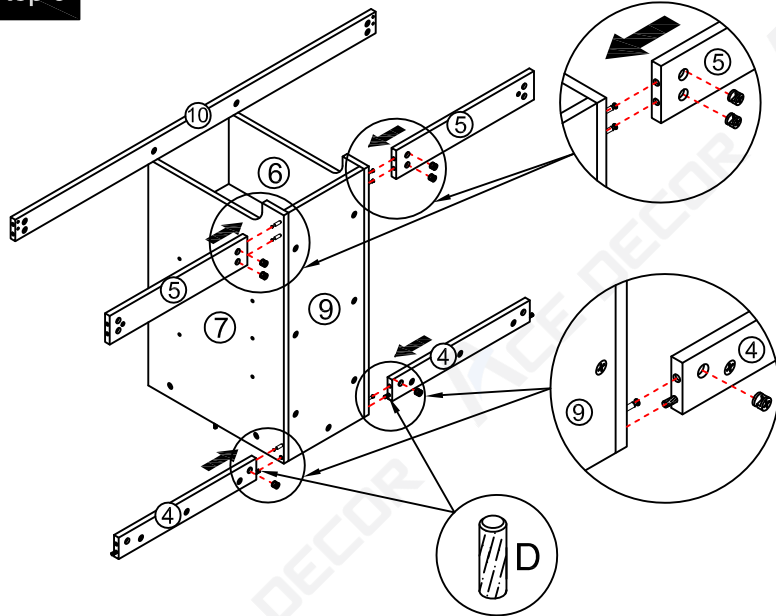
1. Dust regularly with a soft , dry cloth.
2. Avoid the use of all chemicals household cleaners, abrasives, or cleaners that contain lemon, vinegar, or other acids that may damage the finish.
3. Excessive exposure to sunlight and extreme changes in temperature and moisture can damage wood furniture.
4. The sink top is resilient, but care needs to be taken to preserve its appearance.
5. Do not place hot appliances, such as curling irons and hot hair dryers directly on the countertop. Wipe spills immediately.







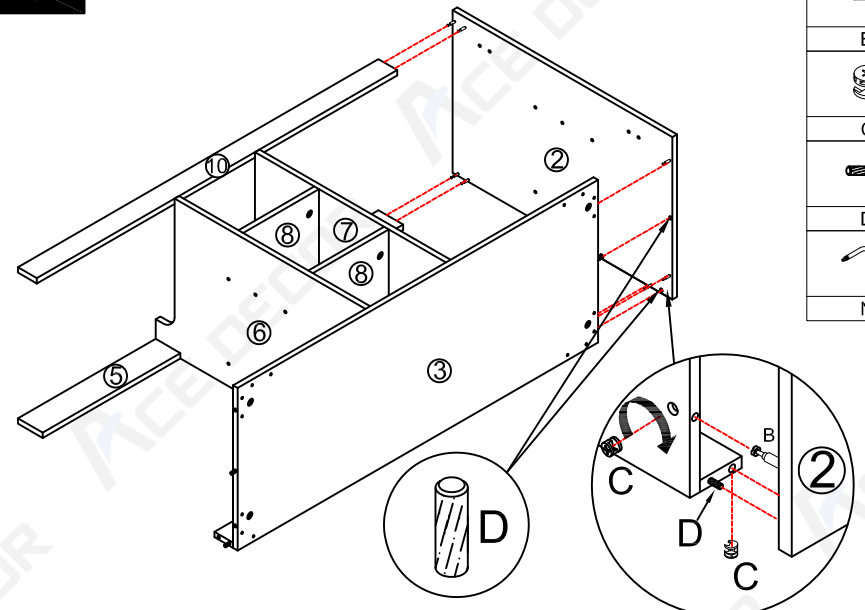
Step 5



	x6
B	
	x6
C	
	x2
D	
	x1
N	

Note: The D parts are used for these two holes

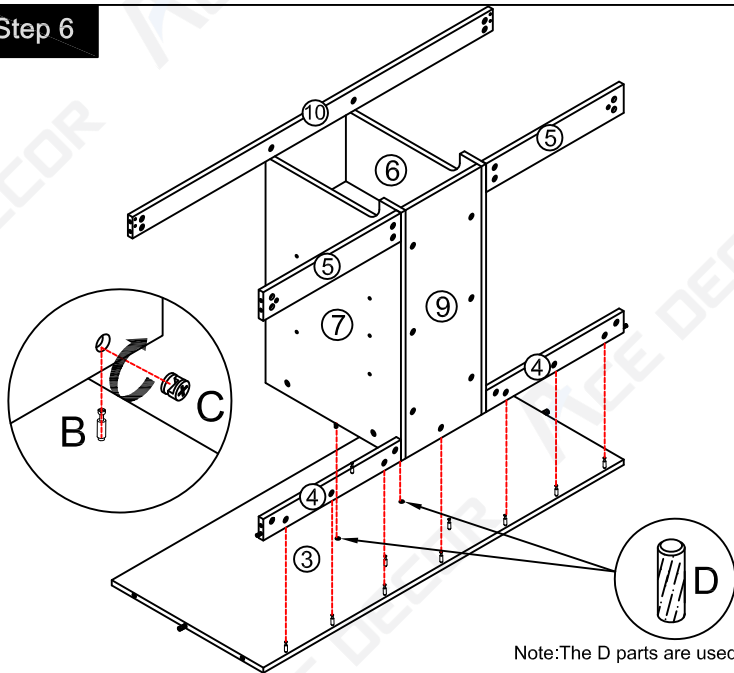
Step 7



	x7
B	
	x7
C	
	x2
D	
	x1
N	

Note: The D parts are used for these two holes

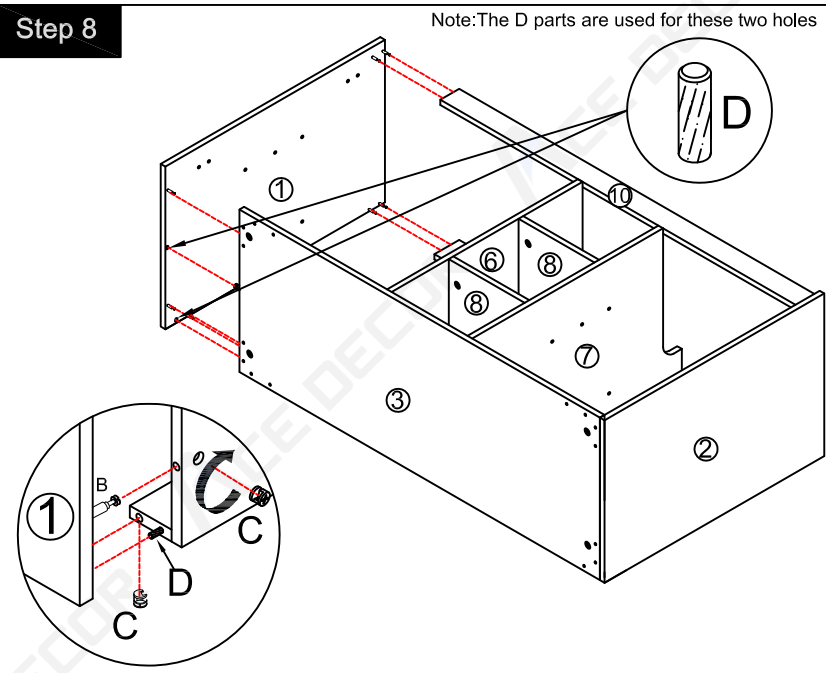
Step 6



	x11
B	
	x11
C	
	x2
D	
	x1
N	

Note: The D parts are used for these two holes

Step 8



Note: The D parts are used for these two holes

	x7
B	
	x7
C	
	x2
D	
	x1
N	