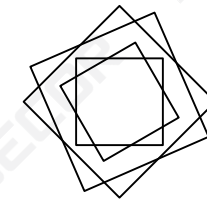
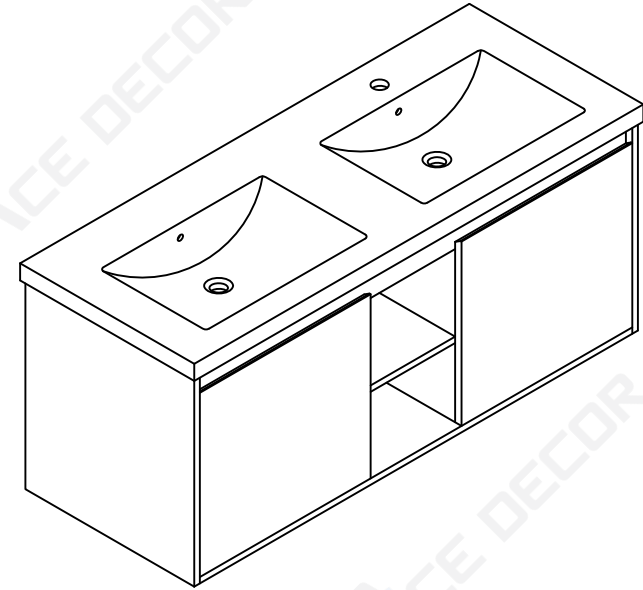


Installation Manual-BV B07248

**MOTIVATE
YOUR LIFE !**

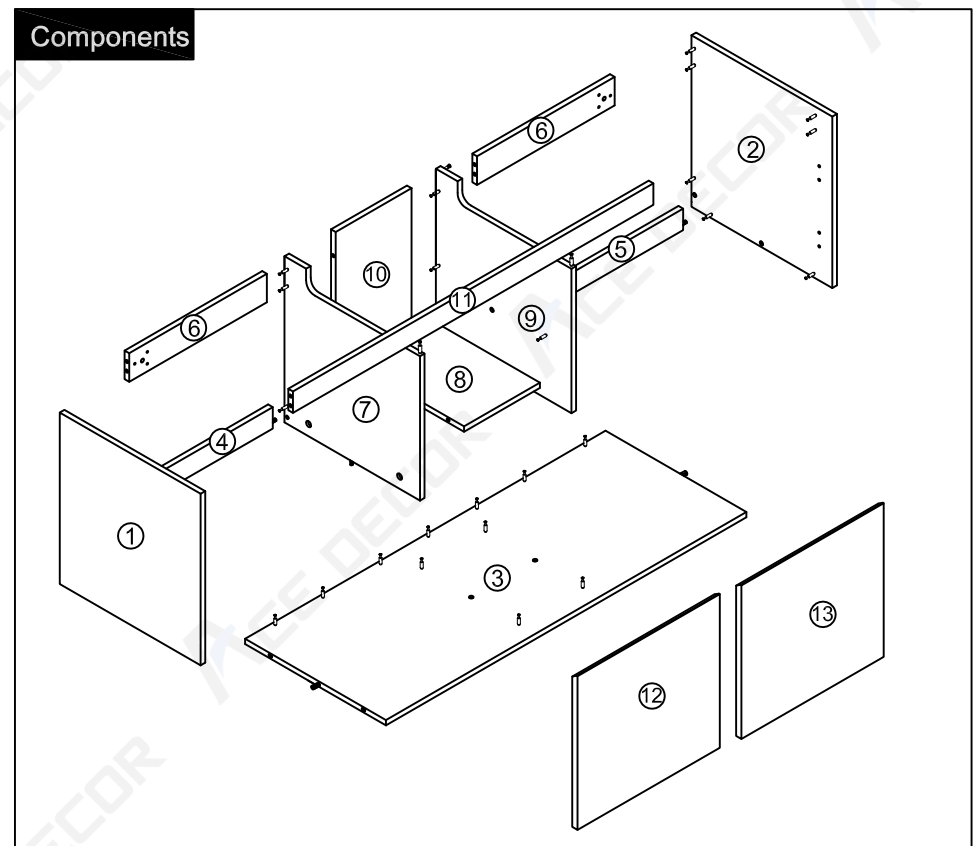
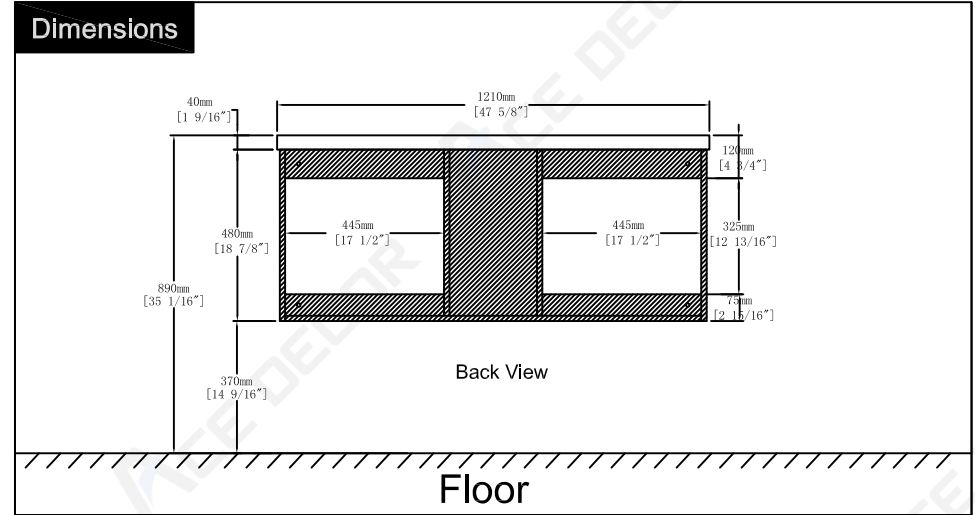
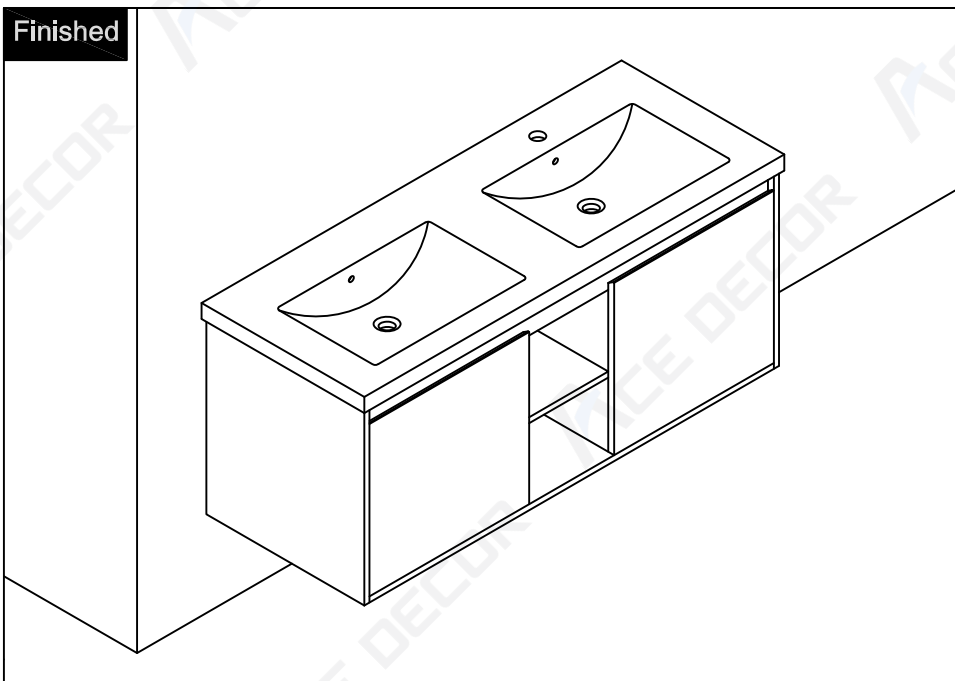
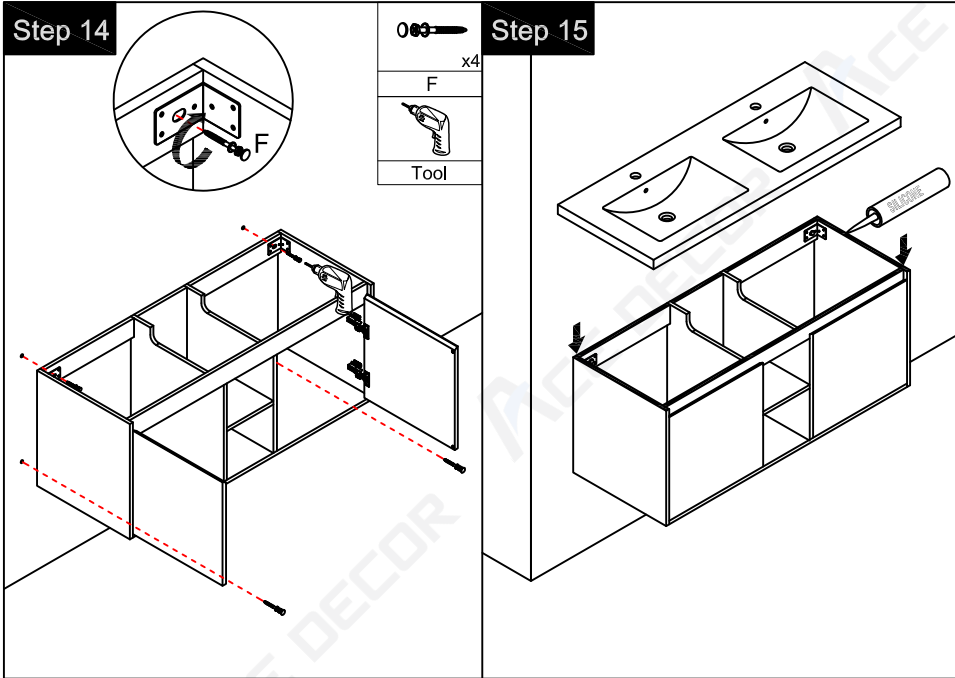
THANKS FOR WATCHING

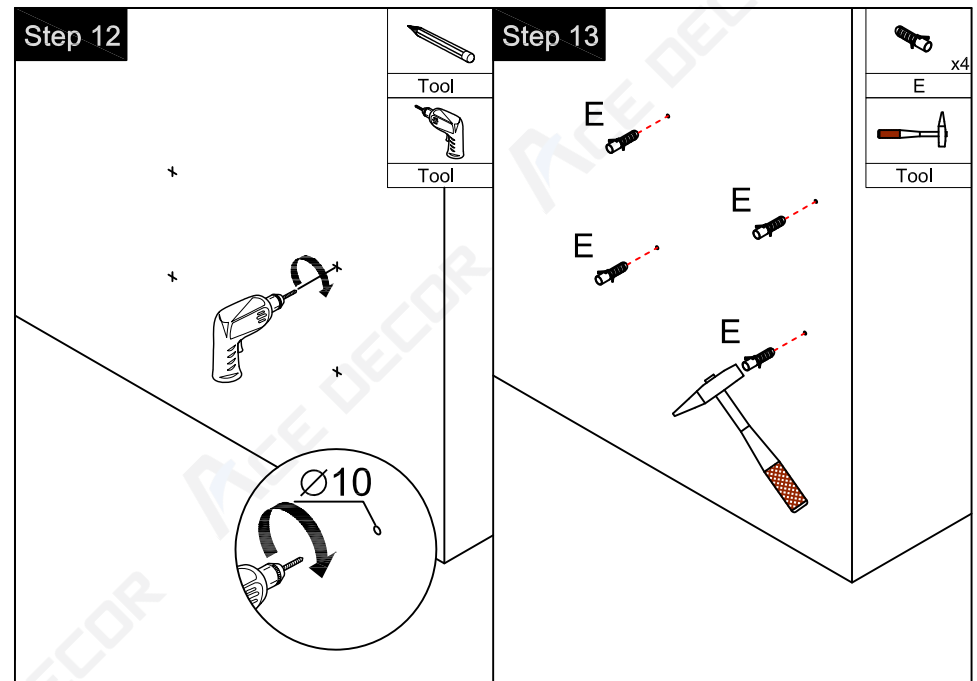
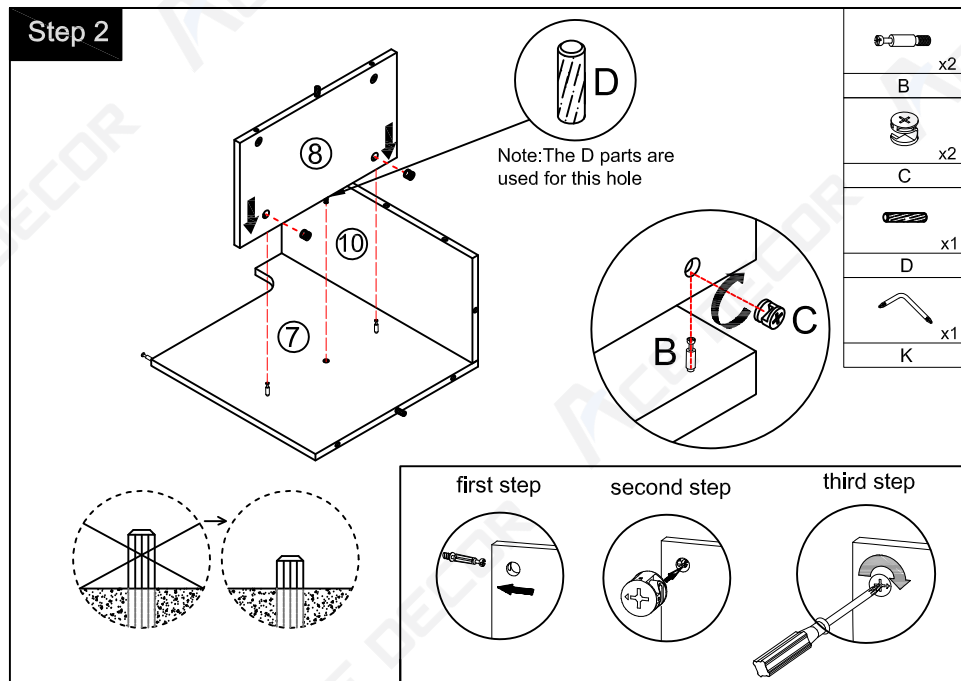
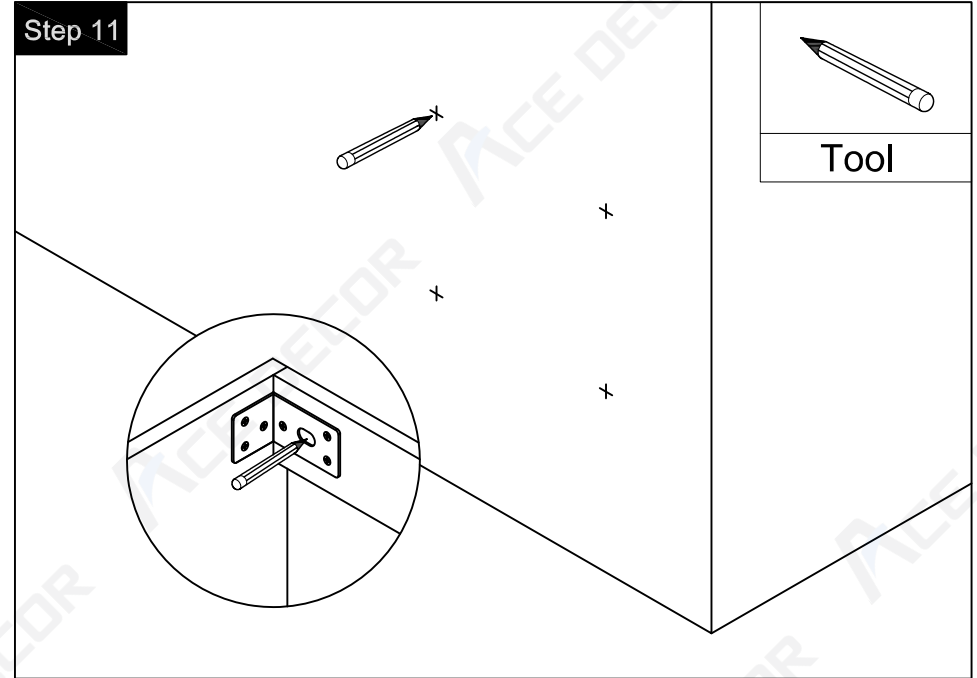
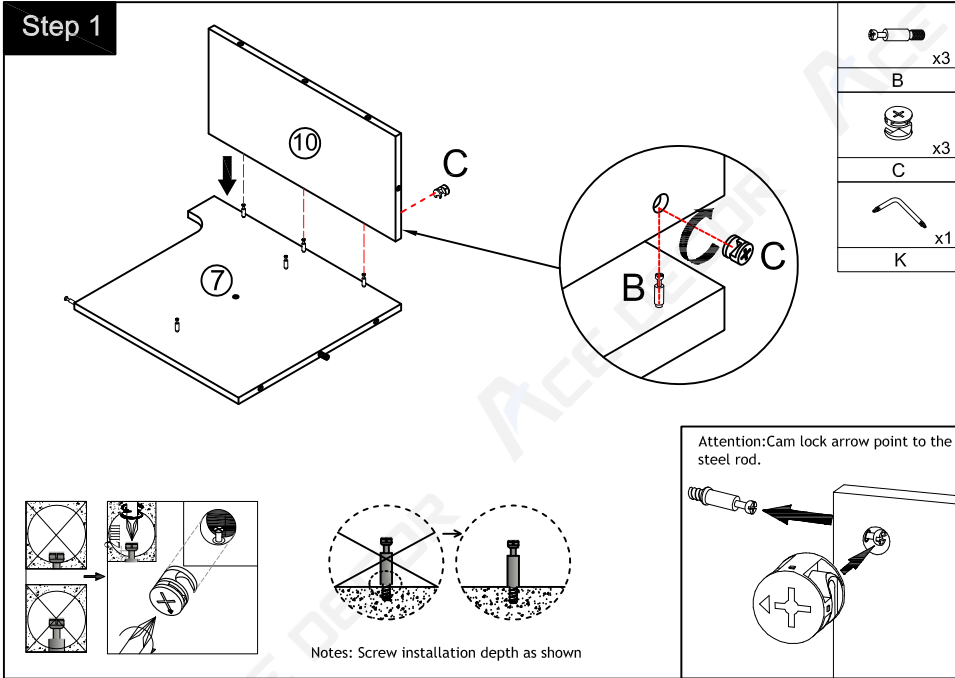
Your feedback is invaluable to us and we would love to hear about your experience. Please take the time to leave us a review.



Thank you for shopping with us!

We encourage you to take a few minutes to go through this booklet. It contains important information on installation and care tips to keep your furniture looking as good as new.





Step 9

	x2
G	
	x2
H	
($\varnothing 4 \times 14\text{mm}$)	
	x20
A	
	Tool

Step 3

Note: The D parts are used for this hole

	x5
B	
	x5
C	
	x1
D	
	x1
K	

Step 10

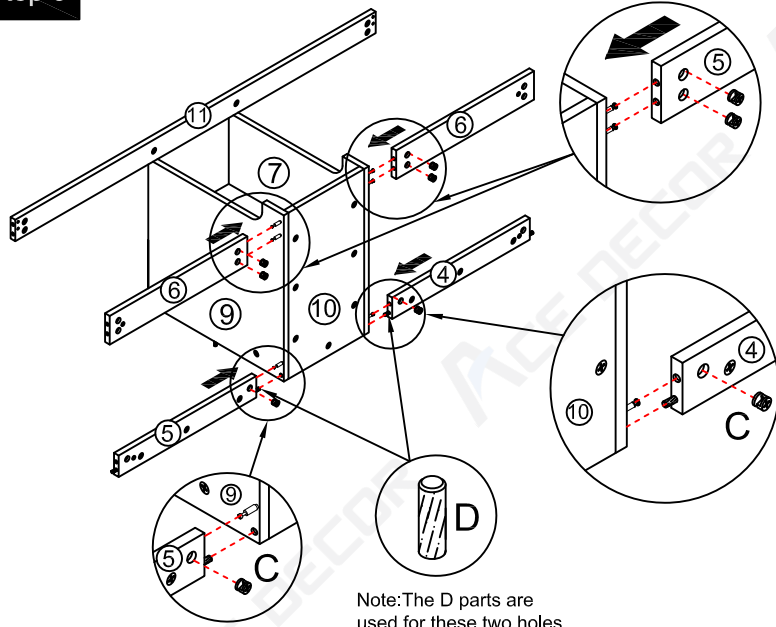
	x4
I	
($\varnothing 4 \times 14\text{mm}$)	
	x24
A	
	x4
J	
	Tool

You can adjust the doors by tightening or loosening the screws on the hinge. →

Step 4

	x2
B	
	x2
C	
	x1
K	

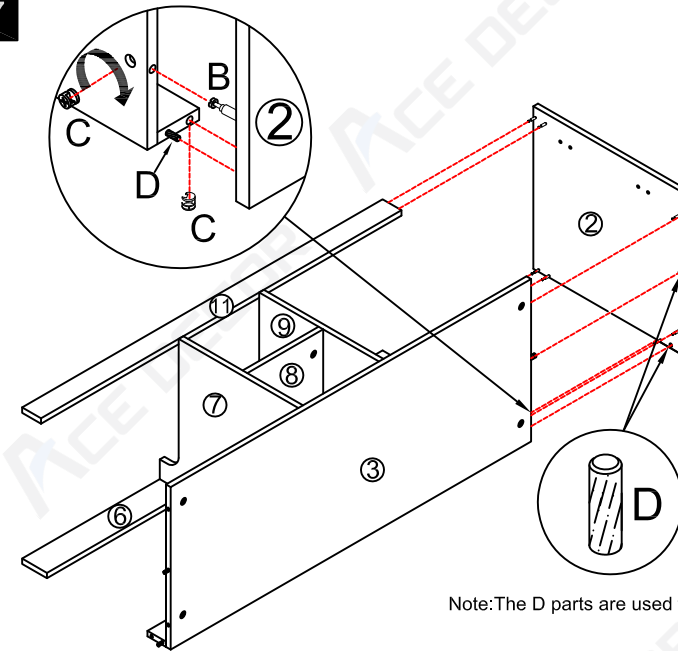
Step 5



	x6
B	
	x6
C	
	x2
D	
	x1
K	

Note: The D parts are used for these two holes

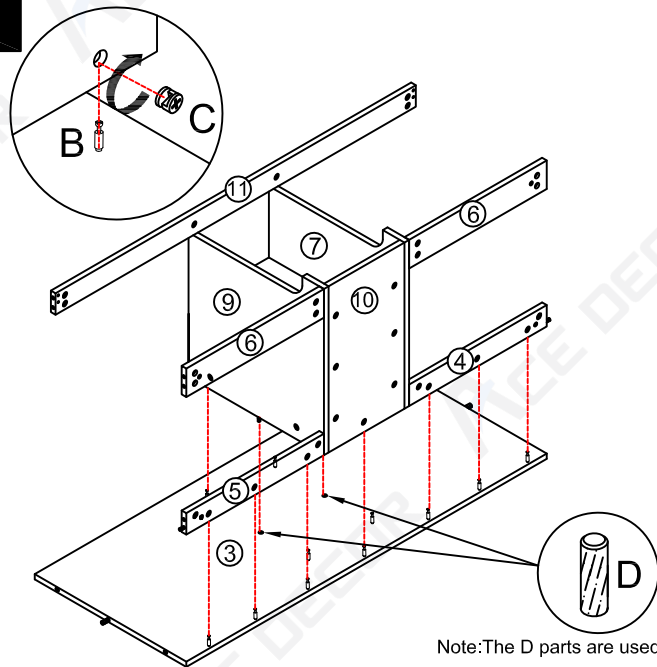
Step 7



	x7
B	
	x7
C	
	x2
D	
	x1
K	

Note: The D parts are used for these two holes

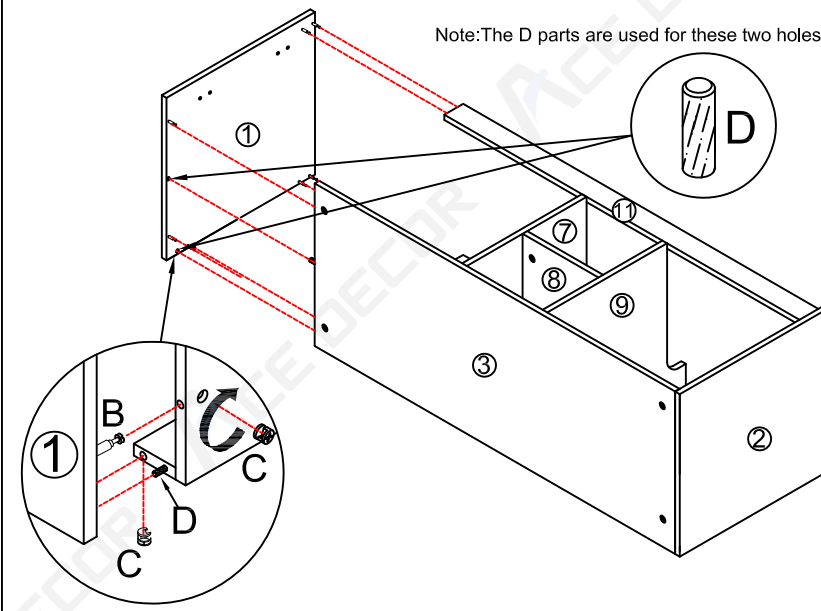
Step 6



	x11
B	
	x11
C	
	x2
D	
	x1
K	

Note: The D parts are used for these two holes

Step 8



Note: The D parts are used for these two holes

	x7
B	
	x7
C	
	x2
D	
	x1
K	